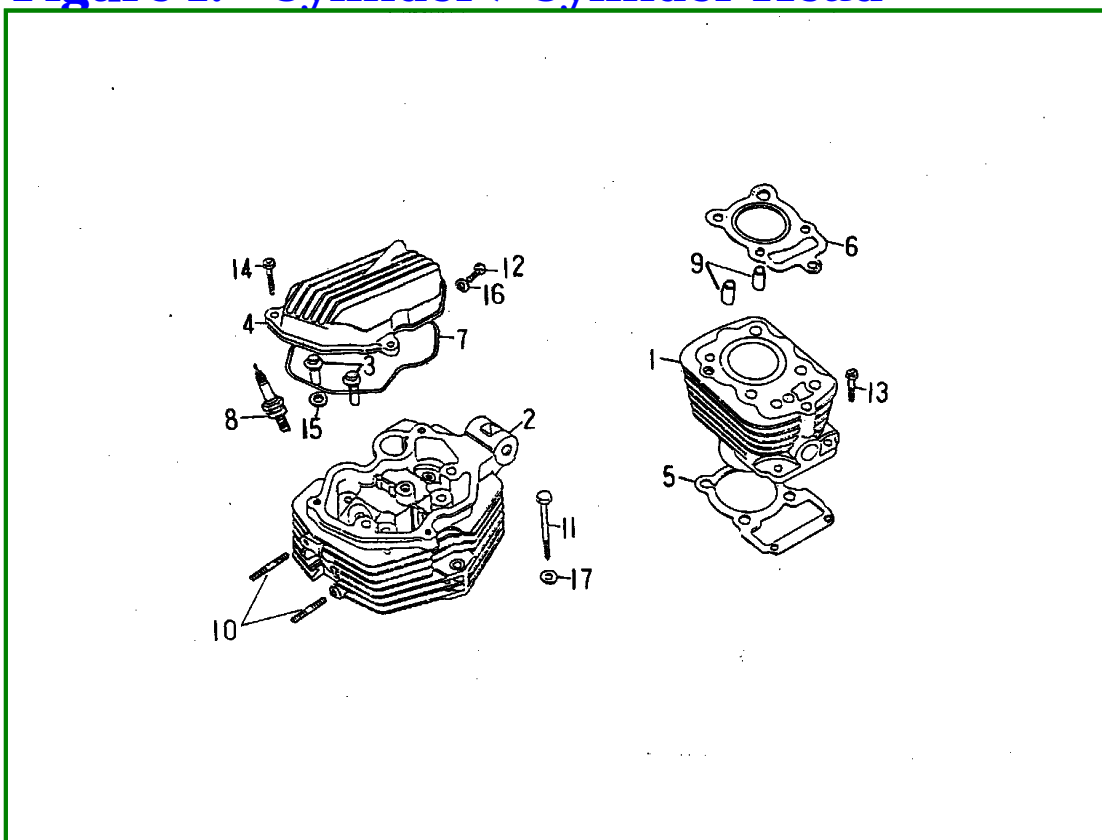
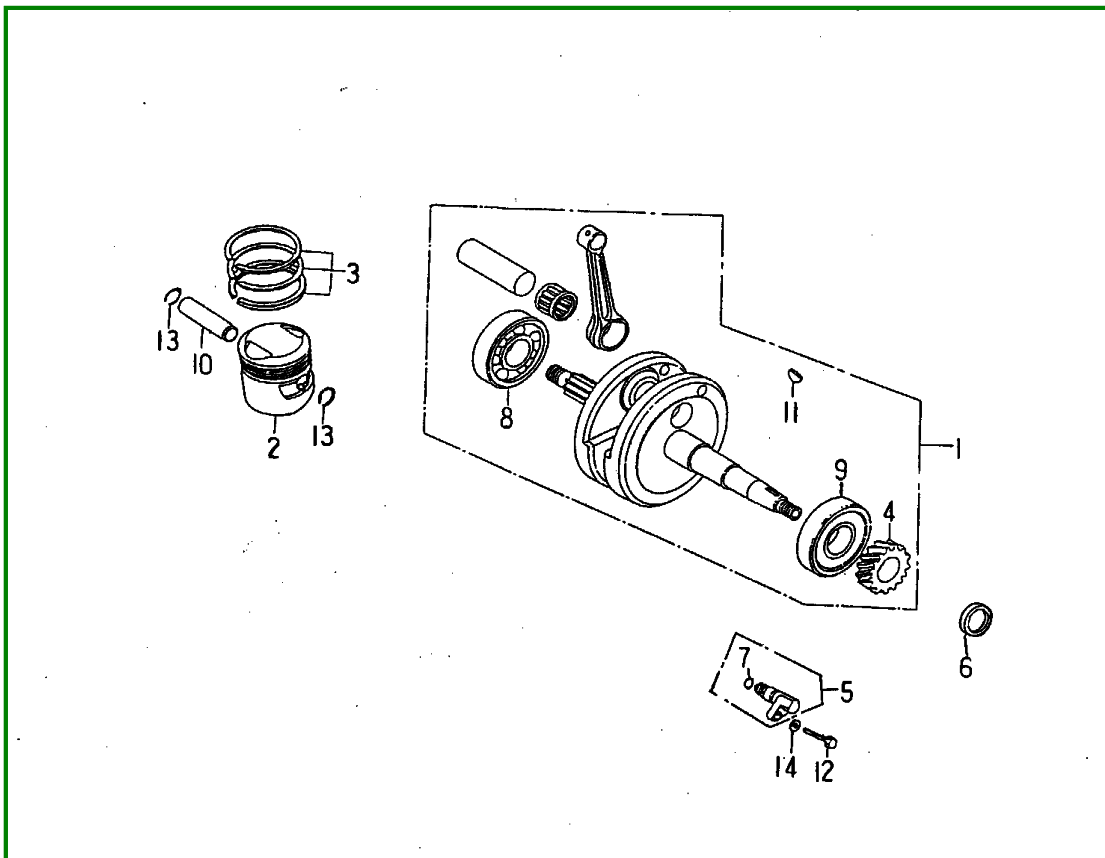
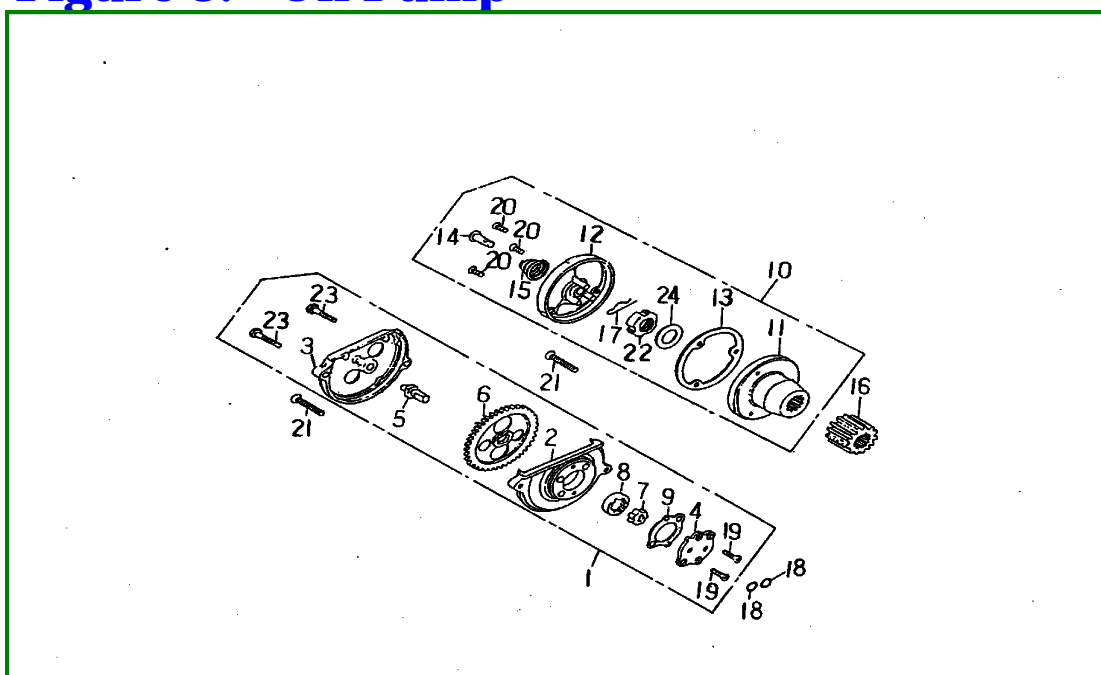


Figure 1. - Cylinder / Cylinder Head**Figure 1. Cylinder / Cylinder Head**

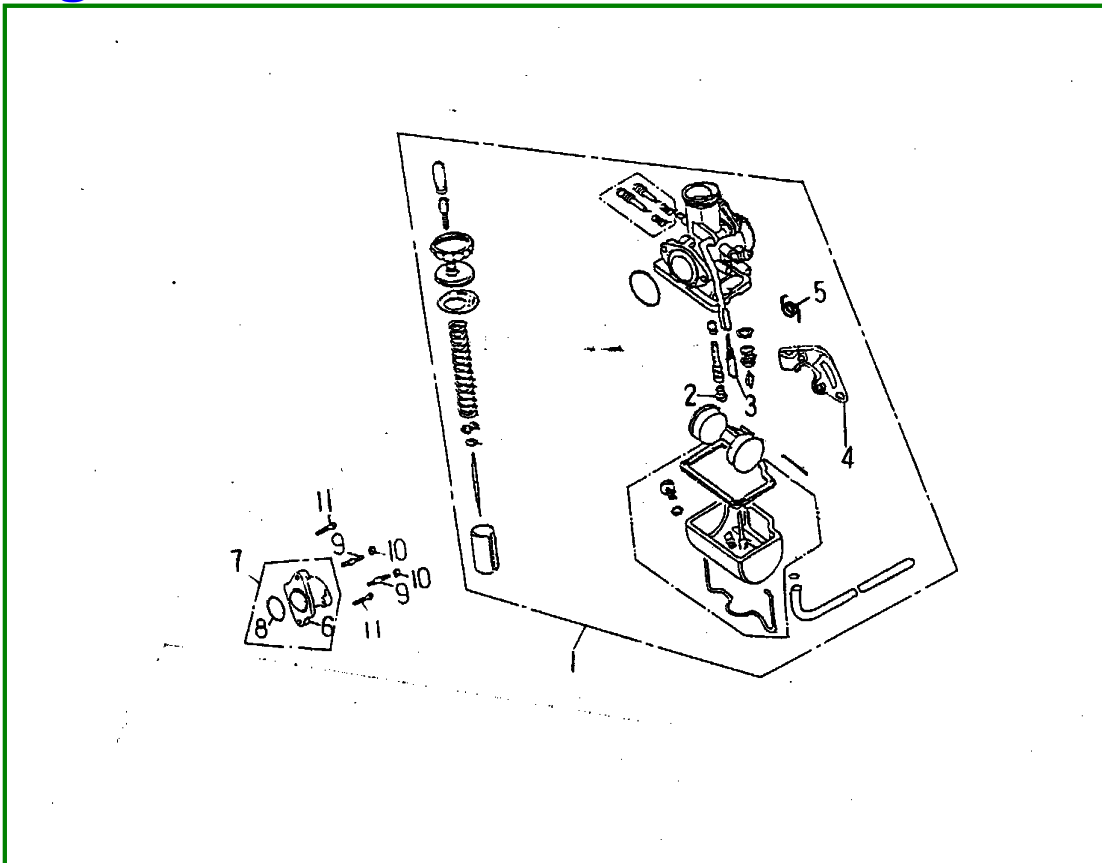
No.	Parts No.	Parts Name	Q'ty
1	11111-STG-00	Cylinder comp	1
2	11121-STG-00	Head comp, cylinder	1
3	11127-CHP-00	Nut, cylinder head	1
4	11141-ROA-00	Cover, cylinder head	1
5	11151-STG-00	Gasket, cylinder	1
6	11181-STG-00	Gasket, cylinder head	1
7	11191-CHP-00	Gasket, head cover	1
8	62210-CHP-00	Plug, spark (DR8EA NGK)	1
9	94410-10020	Pin, dowel 10 x 20	3
10	94717-06035-B	Bolt, stud 6 x 35	2
11	96210-08079-B	Bolt, hexagon 8 x 79	1
12	96411-06012-B	Bolt, flange 6 x 12	1
13	96414-06022-B	Bolt, flange 6 x 22	2
14	96414-06028-B	Bolt, flange 6 x 28	3
15	97201-122223-B	Washer, plate 12.6 x 22 x 2.3	2
16	97230-061212	Washer, copper 6.4 x 12 x 1.2	1
17	97230-081823	Washer, copper 8.6 x 18 x 2.3	1

Figure 2. - Crankshaft / Piston**Figure 2. Crankshaft / Piston**

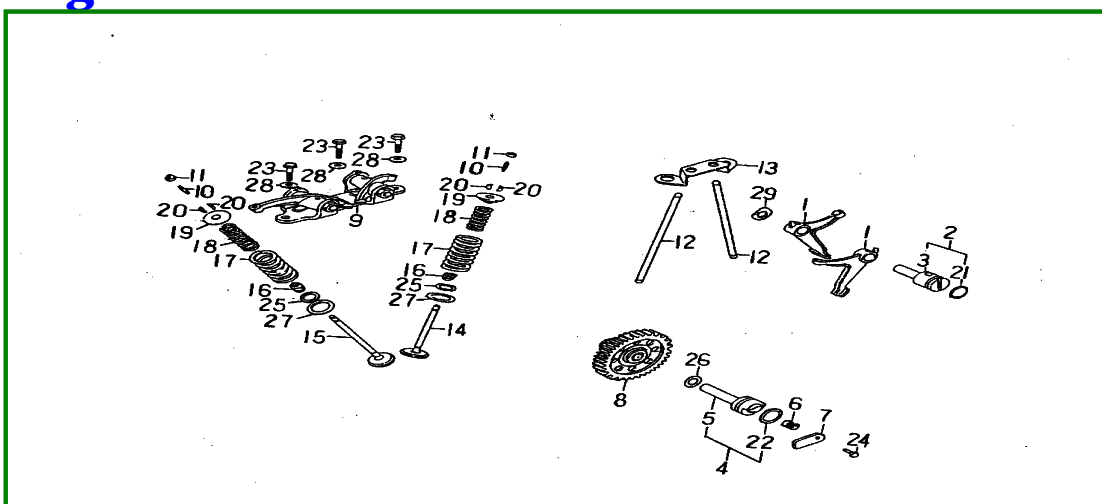
No.	Parts No.	Parts Name	Q'ty
1	11400-CHP-00	Crankshaft comp	1
2	11631-STG-00	Piston	1
3	11636-STG-00	Ring set, piston	1
4	14311-CHP-00	Gear, timing drive (22T)	1
5	15120-CHP-00	Plug ass'y, bearing push	1
6	93110-34507	Oil seal 34 x 50 x 7	1
7	93210-25130	O-ring 2.5 x 13.0	1
8	93320-286818	Bearing, radial ball 6328V4	1
9	93320-286818U	Bearing, radial ball 6328JR2LUA	1
10	93510-091550	Pin, piston	1
11	94420-04025	Key, woodpuff 25 x 14 x 4	1
12	96414-06025-B	Bolt, flange 6 x 25	1
13	97050-10017	Circlip, piston pin 15mm	2
14	97201-061415-B	Washer, plate 6.2 x 14 x 1.5	1

Figure 3. - Oil Pump**Figure 3. Oil Pump**

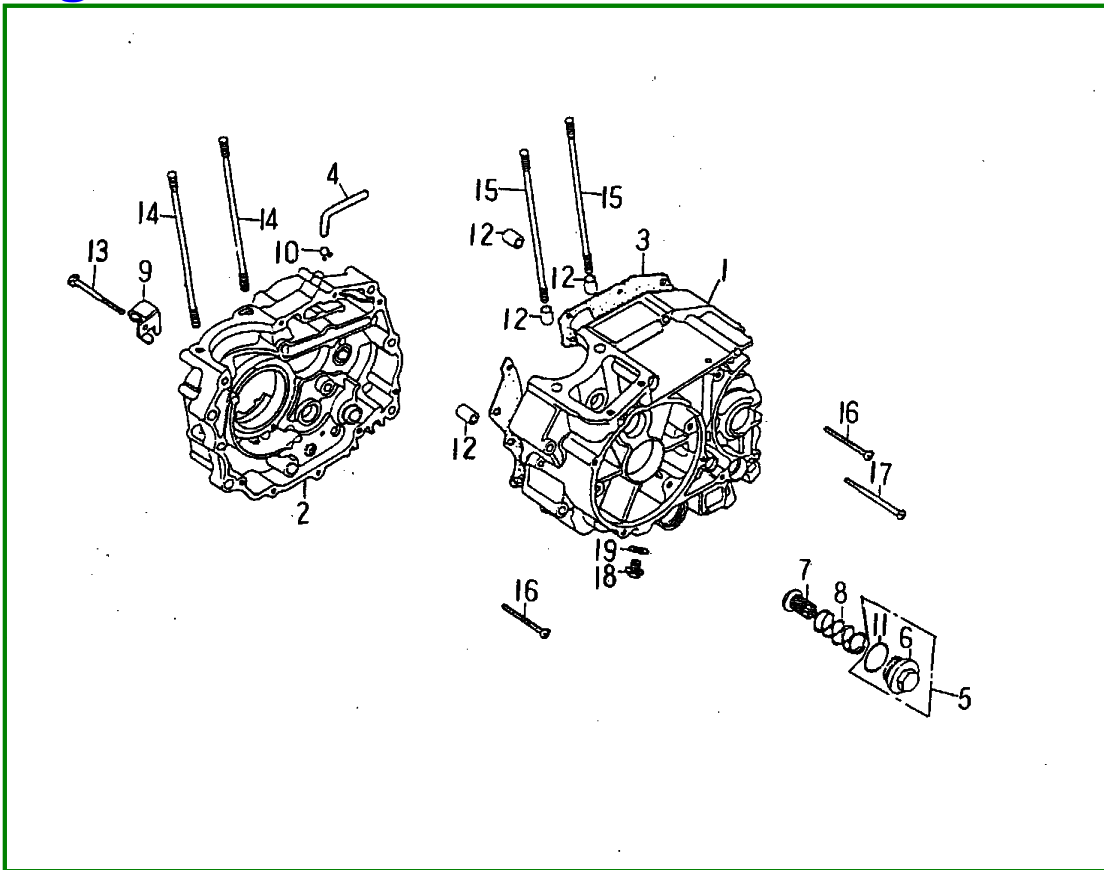
No.	Parts No.	Parts Name	Q'ty
1	13100-CHP-00	Pump ass'y, oil	1
2	13111-CHP-00	Body, oil pump	1
3	13112-CHP-00	Cover, oil pump gear	1
4	13116-CHP-00	Plate, oil pump	1
5	13121-CHP-00	Shaft, oil pump	1
6	13124-CHP-00	Gear, oil pump	1
7	13141-CHP-00	Rotor, oil pump inner	1
8	13142-CHP-00	Rotor, oil pump outer	1
9	13151-CHP-00	Gasket, oil pump	1
10	13301-CHP-00	Oil filter rotor ass'y	1
11	13310-CHP-00	Rotor, oil filter	1
12	13311-CHP-00	Cap, oil filter rotor	1
13	13316-CHP-00	Washer, oil filter rotor	1
14	13321-CHP-00	Through oil	1
15	13324-CHP-00	Spring, oil through	1
16	25641-CHP-00	Gear, primary drive (18T)	1
17	90230-12080	Cotter pinj 1.2 x 8	1
18	93210-24094	O-ring 2.4 x 9.4	2
19	94712-04012-K	Screw, flat head 4 x 12	2
20	94712-05012-C	Screw, flat head 5 x 12	3
21	94712-06030-B	Screw, flat head 6 x 30	2
22	95601-162810	Nut, ring 16mm	1
23	96210-05020-C	Bolt, hexagon 5 x 20	2
24	97310-162720	Washer, conical spring 16.4 x 26.8 x	1

Figure 4. - Carburetor**Figure 4. Carburetor**

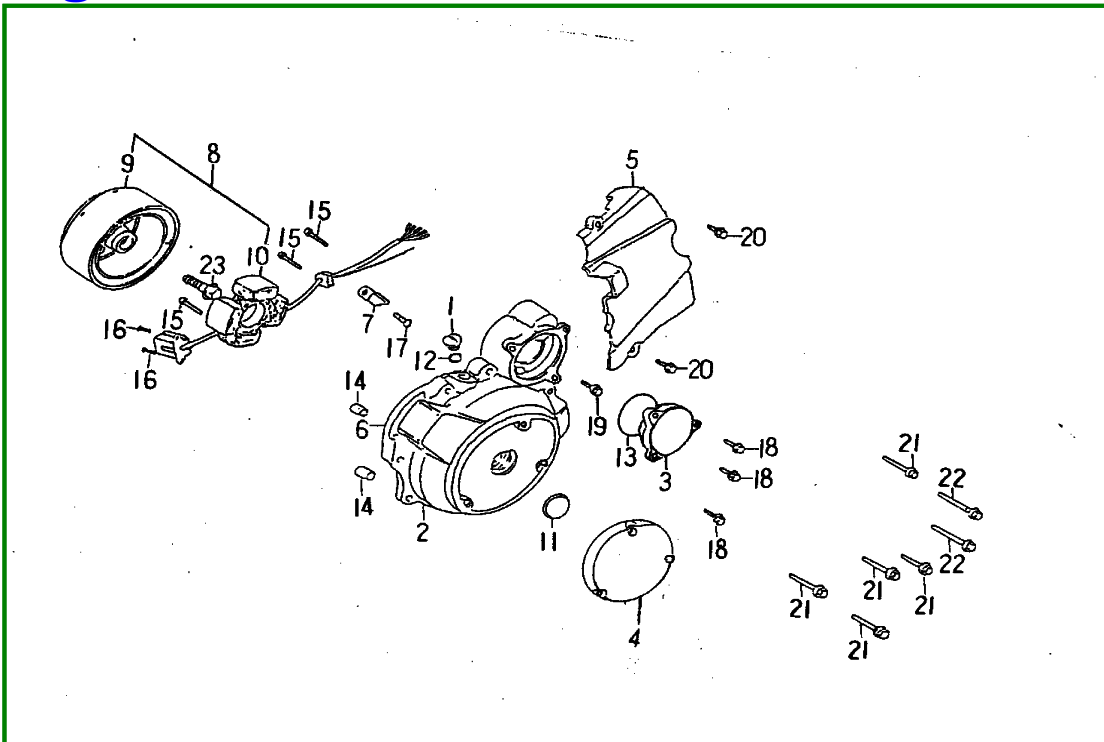
No.	Parts No.	Parts Name	Q'ty
1	13201-STG-00	Carburetor ass'y	1
2	13240-STG-00	Jet, main #102	1
3	13242-STG-00	Jet, slow #35	1
4	13276-RAM-00	Holder, choke cable	1
5	13278-RAM-00	Spring, torsion	1
6	13620-ROA-00	Insulator, carb comp	1
7	13626-ROA-00	Insulator ass'y, crab comp	1
8	93210-30335	O-ring 3 x 33.5	1
9	94717-06028-B	Bolt, stud 6 x 28	2
10	95401-061006-B	Nut, flange 6mm	2
11	96411-06020-B	Bolt, flange 6 x 20	2

Figure 5. - Valve**Figure 5. Valve**

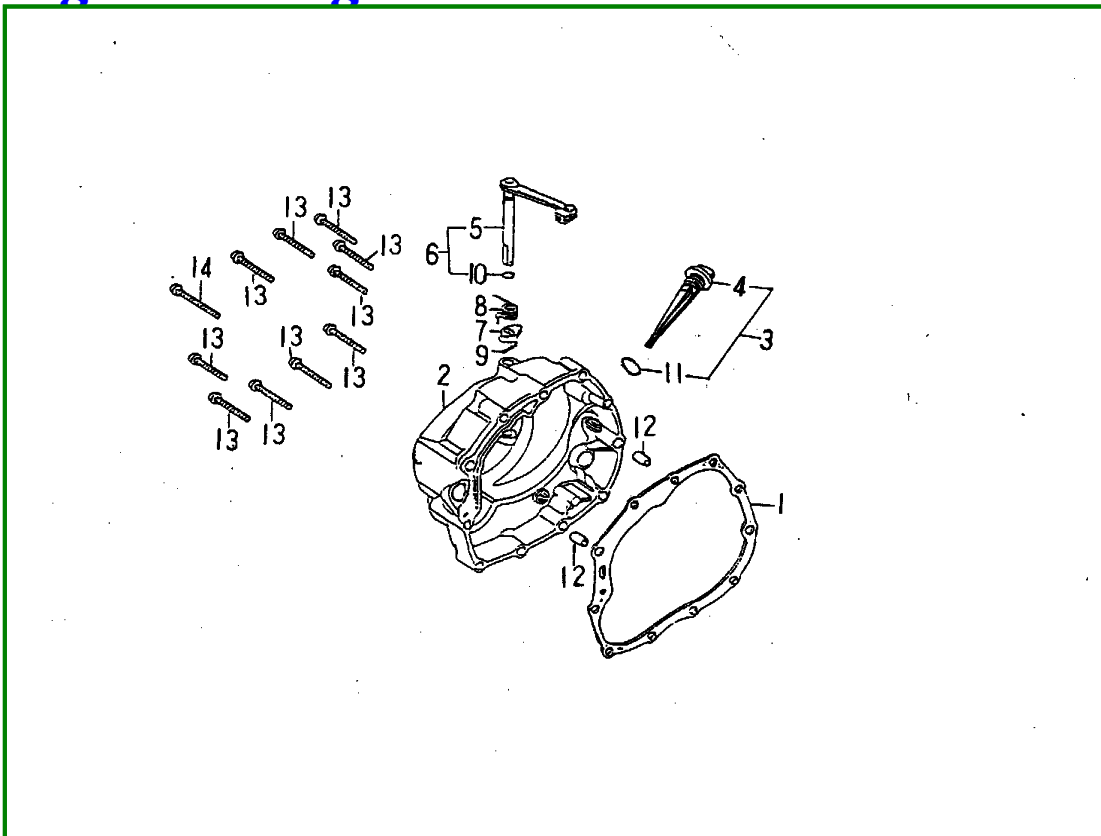
No.	Parts No.	Parts Name	Q'ty
1	14111-CHP-00	Follower, cam	2
2	14120-CHP-00	Shaft comp, cam follower	1
3	14121-CHP-00	Shaft, cam follower	1
4	14130-CHI-00	Shaft comp, cam gear	1
5	14131-CHI-00	Shaft, cam gear	1
6	14133-CHP-00	Spring, cam shaft	1
7	14134-CHP-00	Plate, spg stopper	1
8	14136-CHP-00	Camshaft comp	1
9	14431-CHP-00	Holder comp, rocker arm	1
10	14436-CHP-00	Screw, tappet adjusting	2
11	14437-CHP-00	Nut, tappet adjusting	2
12	14501-CHP-00	Rod push	2
13	14560-CHP-00	Guide push rod	1
14	14711-CHI-00	Valve, in	1
15	14721-CHI-00	Valve, ex	1
16	14731-CHP-00	Seal, valve stem	2
17	14751-CHP-00	Spring, valve outer	2
18	14761-CHP-00	Spring, valve inner	2
19	14771-CHP-00	Retainer, valve spring	2
20	14781-CHP-00	Cotter, valve	4
21	93210-25170	O-ring 2.5 x 20	1
22	93210-25200	O-ring 2.5 x 18	1
23	96210-08028-B	Bolt, hexagon 8 x 28	3
24	96411-06012-B	Bolt, flange 6 x 12	1
25	97201-121805	Seat, valve spring inner 12.7 x 17.6 x 1.6	2
26	97201-142410	Washer, thrust 14.3 x 23.8 x 1	1
27	97201-182610	Seat, valve spring outer 18.9 x 26.2 x 1.6	2
28	97230-081823	Washer, copper 8.6 x 18 x 2.3	3
29	97311-122102	Washer, wave 12.3 x 21 x 0.2	1

Figure 6. - Crankcase**Figure 6. Crankcase**

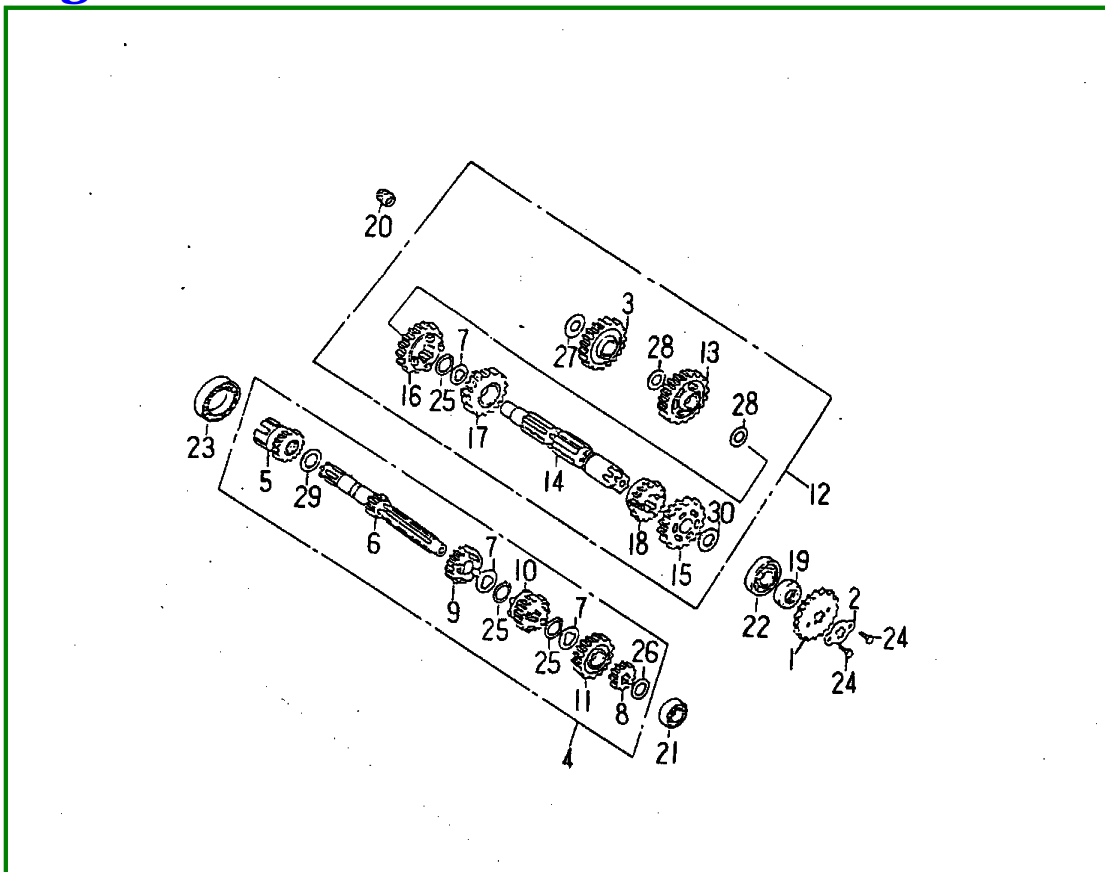
No.	Parts No.	Parts Name	Q'ty
1	15111-CHI-00	Crankcase, L	1
2	15211-CHI-00	Crankcase, R	1
3	15251-CHI-00	Gasket, crankcase	1
4	15276-CHP-00	Hose	1
5	15531-CHP-00	Cap ass'y, oil filter screen	1
6	15533-CHP-00	Cap, oil filter screen	1
7	15536-CHP-00	Screen, oil filter	1
8	15538-CHP-00	Spring, oil filter screen	1
9	25793-CHP-00	Holder, clutch wire	1
10	90210-10015	Clip 1.0 x 14.7	1
11	93210-30350	O-ring 3.0 x 35	1
12	94410-10014	Pin, dowel 10 x 14	4
13	94714-06055-B	Bolt 6 x 55	1
14	94717-08122-C	Bolt, stud 8 x 122	2
15	94717-08130-C	Bolt, stud 8 x 130	2
16	96411-06050-B	Bolt, flange 6 x 50	9
17	96411-06095-B	Bolt, flange 6 x 95	1
18	96414-12015-B	Bolt, flange 12 x 15	1
19	97231-122020	Washer, aluminum 12.3 x 20 x 2	1

Figure 7. - Left Crankcase Cover**Figure 7. Left Crankcase Cover**

No.	Parts No.	Parts Name	Q'ty
1	12655-ROA-00	Cap, A.C.G.	1
2	15411-CHP-00	Cover, L crankcase	1
3	15416-CHP-00	Cover, reduction gear	1
4	15417-CHP-00	Cap, L crankcase cover	1
5	15421-CHP-00	Cover, L rear crankcase	1
6	15481-CHP-00	Gasket, L crankcase cover	1
7	15541-CHP-00	Clamper, wire harness	1
8	35500-CHP-00	Generator ass'y	1
9	35550-CHP-00	Flywheel comp	1
10	35560-CHP-00	Starter comp	1
11	93210-24274	O-ring 2.4 x 27.4	1
12	93210-25138	O-ring 2.5 x 13.8	1
13	93210-30630	O-ring 3.0 x 63	1
14	94410-10014	Pin, dowel 10 x 14	2
15	96210-05025-B	Bolt, hexagon 5 x 25	3
16	96310-05016-B	Screw, pan head 5 x 16	2
17	96411-06012-B	Bolt, flange 6 x 12	1
18	96411-06020-B	Bolt, flange 6 x 20	3
19	96411-06025-B	Bolt, flange 6 x 25	1
20	96411-06028-B	Bolt, flange 6 x 28	2
21	96411-06040-B	Bolt, flange 6 x 40	5
22	96411-06050-B	Bolt, flange 6 x 50	2
23	96414-10036-B	Bolt, flange 10 x 36	1

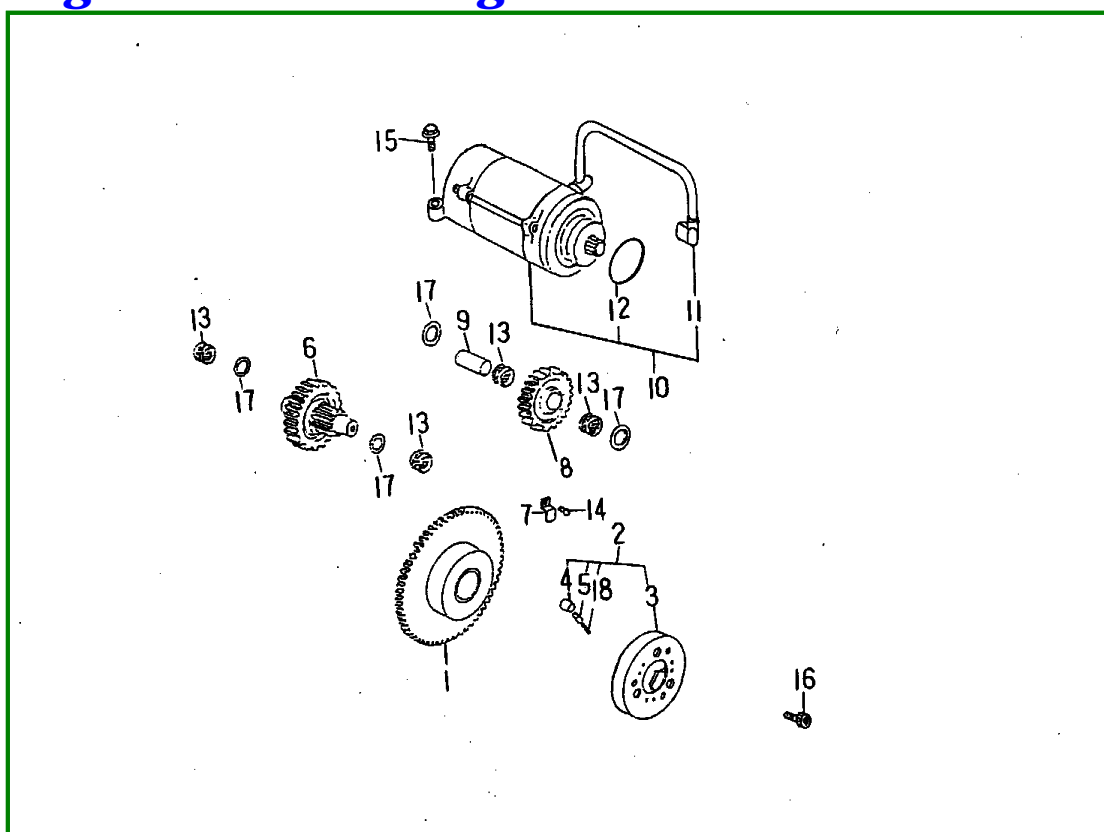
Figure 8. - Right Crankcase Cover**Figure 8. Right Crankcase Cover**

No.	Parts No.	Parts Name	Q'ty
1	15221-CHP-00	Gasket, R crankcase cover	1
2	15511-RAM-00	Cover, R crankcase comp	1
3	15561-CHP-00	Gague ass'y, oil level	1
4	15563-CHP-00	Gague, oil level	1
5	25723-CHP-00	Lever, clutch	1
6	25725-CHP-00	Lever comp, clutch	1
7	25732-CHP-00	Cam, clutch lifter	1
8	25753-CHP-00	Spring, clutch lever	1
9	90240-18016-B	Pin, split 1.8 x 16	1
10	93210-19068	O-ring 1.9 x 6.8	1
11	93210-30180	O-ring 3 x 18	1
12	94410-08014	Pin, dowel 8 x 14	2
13	96411-06040-B	Bolt, flange 6 x 40	10
14	96411-06050-B	Bolt, flange 6 x 50	1

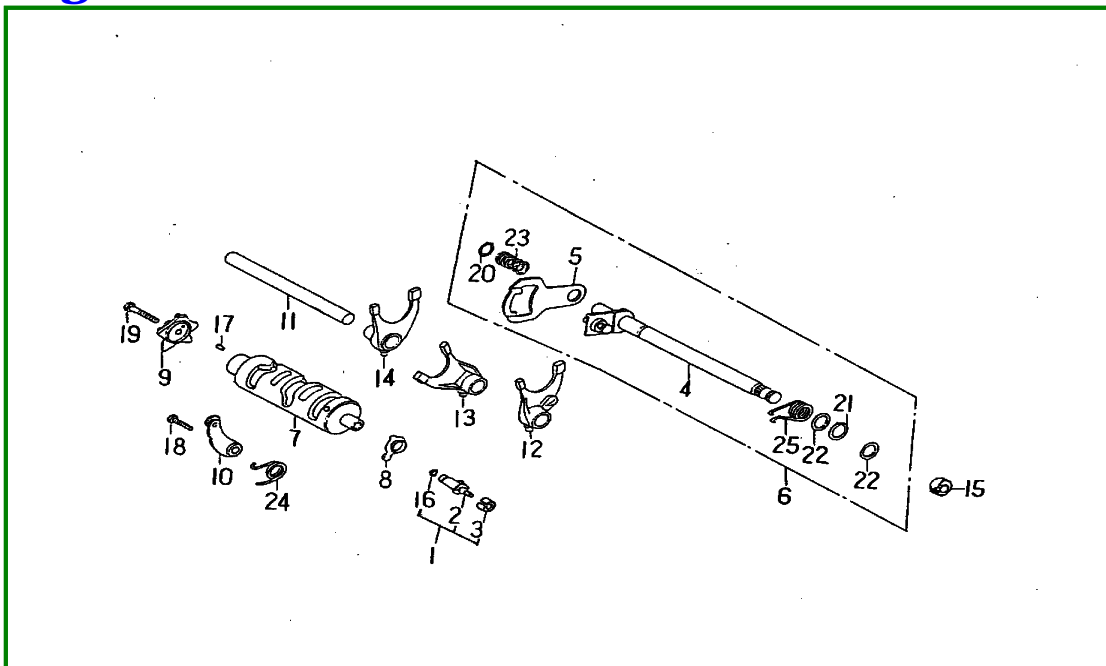
Figure 9. - Transmission / Starter**Figure 9. Transmission / Starter**

No.	Parts No.	Parts Name	Q'ty
1	25711-RAM-00	Sprocket drive (12T)	1
2	25716-CHP-00	Plate, fixing	1
3	25757-CHP-00	Gear, idle starter (29T)	1
4	26100-RAM-00	Main shaft ass'y	1
5	26110-CHP-00	Gear, starter (19T)	1
6	26111-CHP-00	Main shaft, transmission (13T)	1
7	26118-CHP-00	Washer, spline	3
8	26120-CHP-00	Gear, main shaft second (17T)	1
9	26130-RAM-00	Gear, main shaft third (22T)	1
10	26140-CHP-00	Gear, main shaft fourth (23T)	1
11	26150-CHP-00	Gear, main shaft fifth (25T)	1
12	26400-RAM-00	Counter shaft ass'y	1
13	26410-CHP-00	Gear, counter shaft low (36T)	1
14	26411-CHP-00	Counter shaft, tramission	1
15	26420-CHP-00	Gear, counter shaft second (32T)	1
16	26430-RAM-00	Gear, counter shaft third (28T)	1
17	26440-CHP-00	Gear, counter shaft fourth (26T)	1
18	26450-CHP-00	Gear, counter shaft fifth (24T)	1
19	93110-20347	Oil seal 20 x 34 x 7	1
20	93310-1521120	Bearing, needle (HK1512)	1

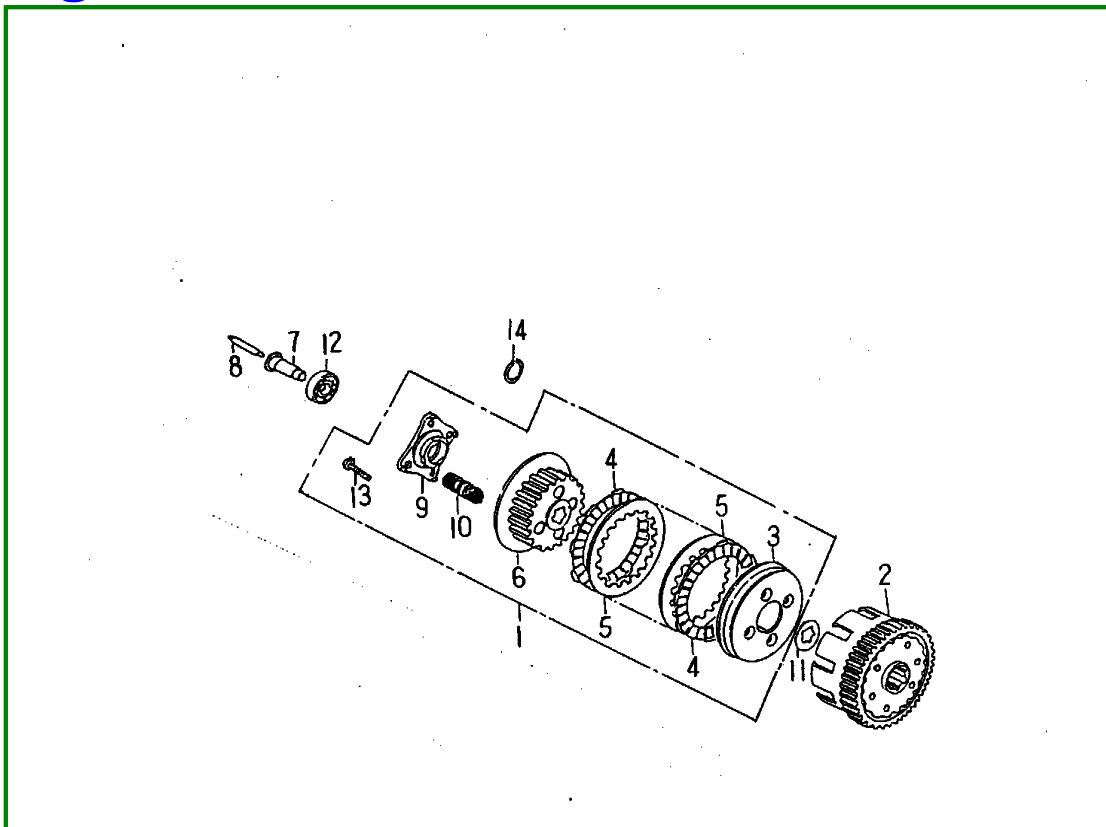
21	93320-153511Z	Bearing, radial ball 6202Z	1	
22	93320-204714	Bearing, radial ball 6204Z	1	
23	93320-305513	Bearing, radial ball 6006	1	
24	96210-06010-B	Bolt, hexagon 6 x 10	2	
25	97014-20012	Circlip 20 mm	3	
26	97201-152510	Washer, thrust 15.4 x 24.8 x 1	1	
27	97201-153010	Washer, thrust 15.2 x 30 x 1	1	
28	97201-172405	Washer, thrust 16.8 x 24 x 0.5	2	
29	97201-202705	Washer, thrust 20.4 x 26.8 x 0.5	1	
30	97201-202710	Washer, thrust 20.4 x 26.8 x 1	1	

Figure 10. - Starting Motor**Figure 10. Starting Motor**

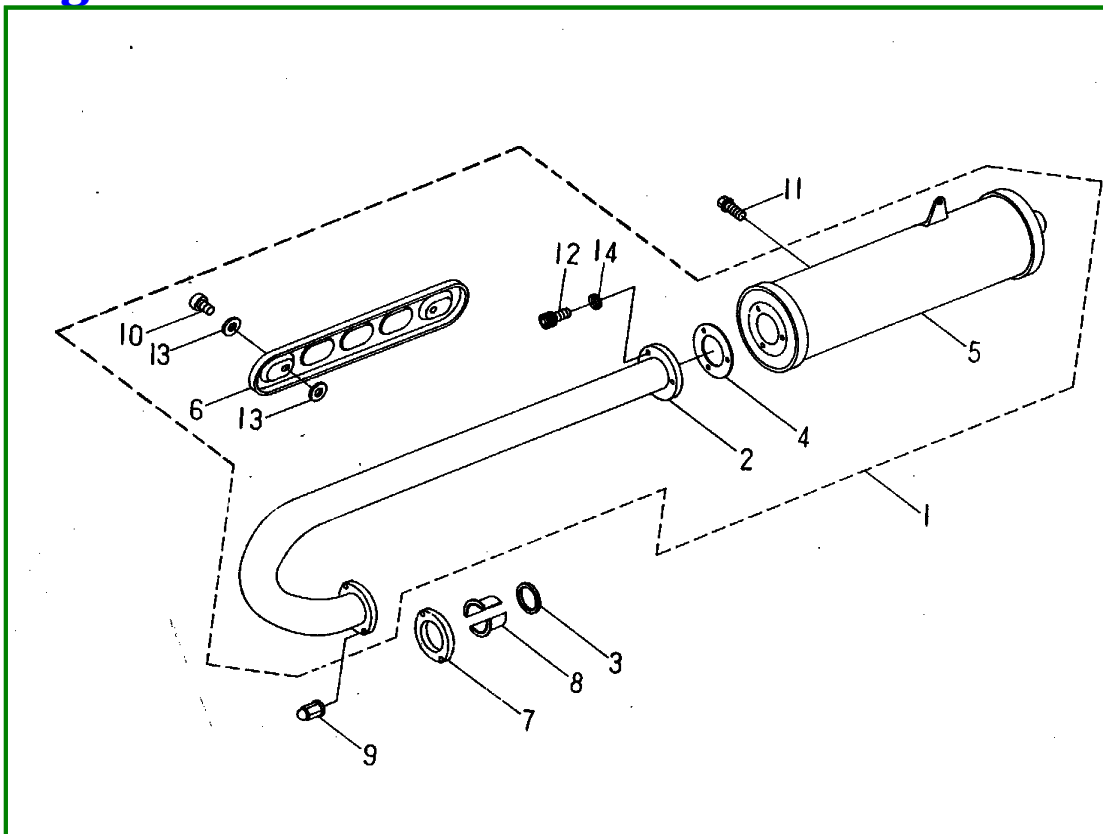
No.	Parts No.	Parts Name	Q'ty
1	23524-CHP-00	Gear comp, starting clutch	1
2	23570-CHP-00	Starting clutch ass'y	1
3	23574-CHP-00	Outer comp, starting clutch	1
4	23576-CHP-00	Roller 10 x 12	3
5	23578-CHP-00	Cap, starting clutch roller spring	3
6	23612-CHP-00	Shaft, starter gear	1
7	23632-CHP-00	Plate, set gear	1
8	23660-CHP-00	Gear, reduction	1
9	23663-CHP-00	Shaft, reduction gear 10 x 45	1
10	35800-CHP-00	Motor ass'y, starter	1
11	35831-CHP-00	Cable, starter motor	1
12	93210-31244	O-ring 3.1 x 24.4	1
13	93310-1014100	Bearing, needle (HK1010)	4
14	96411-06012-B	Bolt, flange 6 x 12	1
15	96414-06028-B	Bolt, flange 6 x 28	2
16	96510-08018-C	Bolt, socket 8 x 18	3
17	97201-101805	Washer, plate 10.5 x 18 x 0.5	4
18	97501-03025	Spring, starting clutch roller	3

Figure 11. - Gear Shift**Figure 11. Gear Shift**

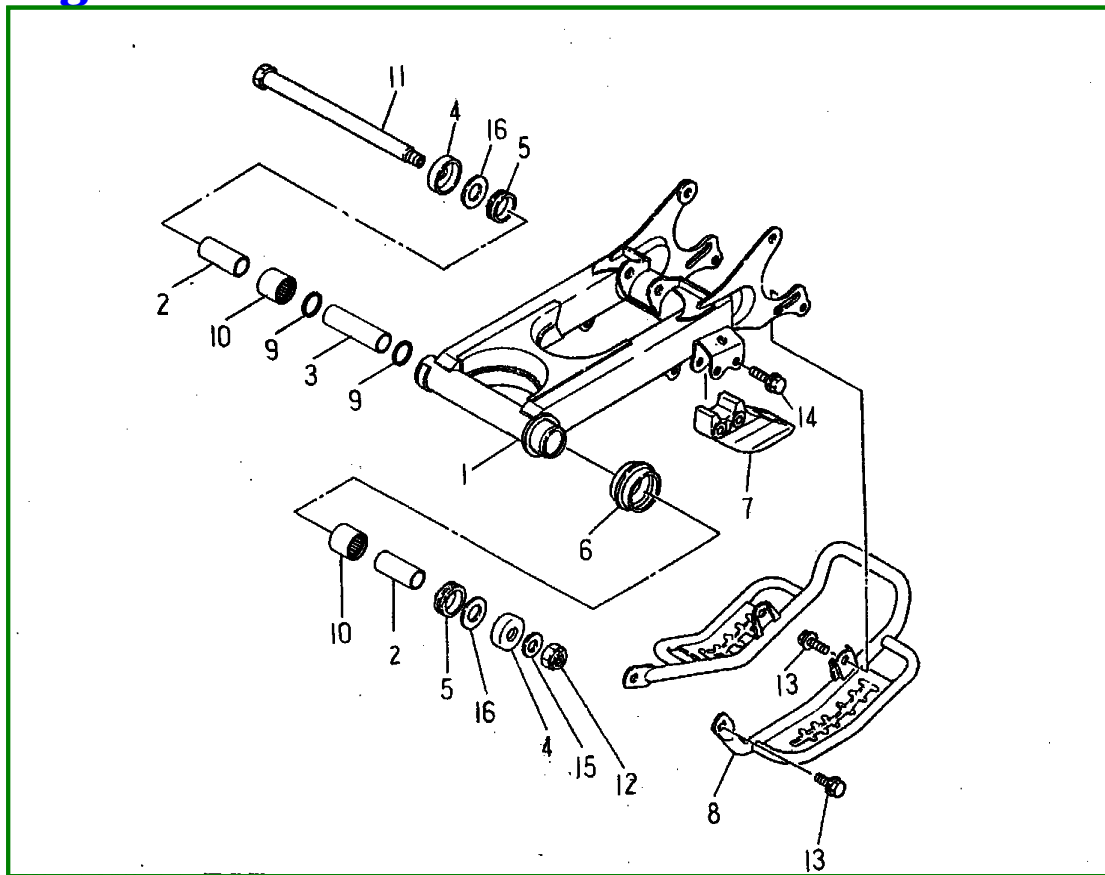
No.	Parts No.	Parts Name	Q'ty
1	15126-CHP-00	Contact ass'y, neutral switch	1
2	15127-CHP-00	Contact, neutral switch	1
3	15128-CHP-00	Spacer, neutral switch	1
4	24201-CHP-00	Spindle, gear shift	1
5	24206-CHP-00	Plate, gear shift	1
6	24210-CHP-00	Spindle comp, gear shift	1
7	24220-CHP-00	Drum, gear shift	1
8	24223-CHP-00	Rotor, neutral switch	1
9	24226-CHP-00	Cam, gear shift	1
10	24228-CHP-00	Stopper comp, gear shift	1
11	24236-CHP-00	Shaft, gear shift fork	1
12	24237-CHP-00	Fork, L gear shift	1
13	24238-CHP-00	Fork, center gear shift	1
14	24239-CHP-00	Fork, R gear shift	1
15	93110-14287	Oil seal 14 x 28 x 7	1
16	93210-19070	O-ring 1.9 x 7	1
17	94510-40010	Pin, dowel 4 x 10	1
18	96210-06020-B	Bolt, hexagon 6 x 20	1
19	96210-06025-B	Bolt, hexagon 6 x 25	1
20	97010-12010	Circlip 12 mm	1
21	97010-14010	Circlip 14 mm	1
22	97201-142004	Washer, thrust 14.3 x 20 x 0.4	2
23	97501-12013	Spring, gear shift plate	1
24	97508-22140	Spring, shaft drum stop	1
25	97510-32080	Spring, gear shift return	1

Figure 12. - Clutch**Figure 12. Clutch**

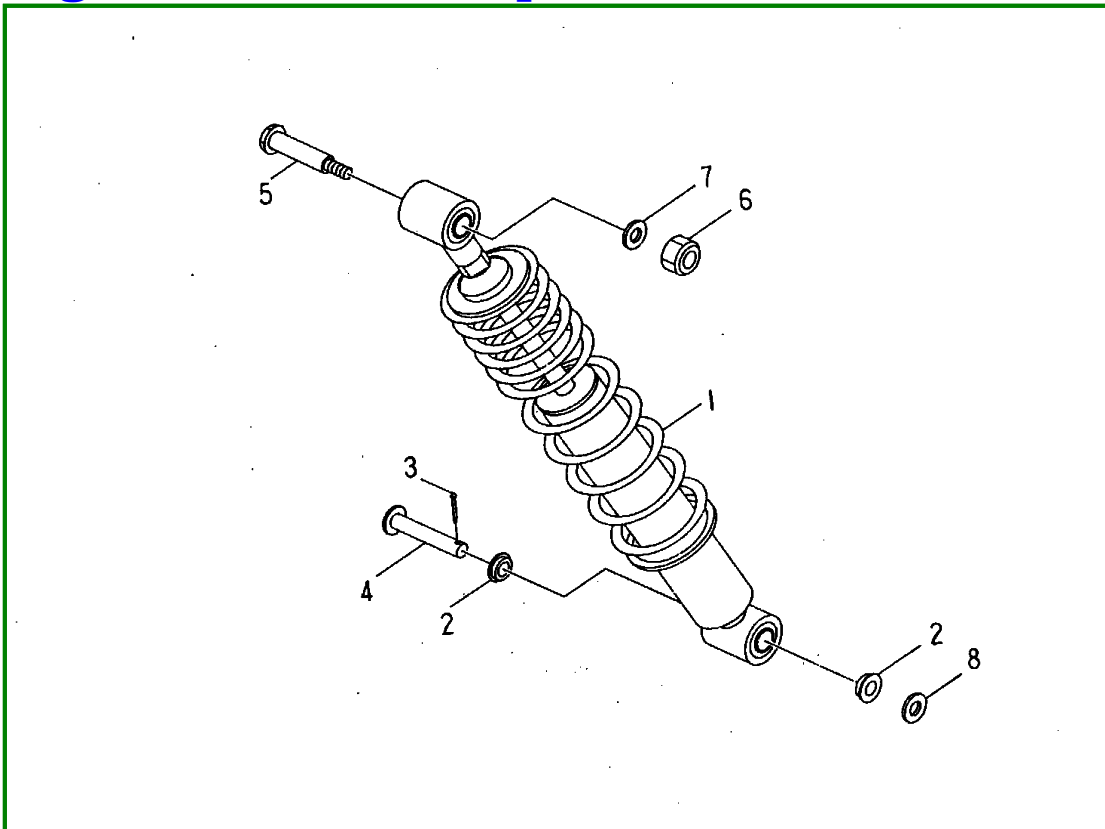
No.	Parts No.	Parts Name	Q'ty
1	25602-CHP-00	Clutch comp	1
2	25611-CHP-00	Outer comp, clutch	1
3	25621-CHP-00	Plate, clutch pressure	1
4	25622-CHP-00	Disk, clutch friction	5
5	25623-CHP-00	Plate, clutch	4
6	25661-CHP-00	Center, clutch	1
7	25664-CHP-00	Pin, clutch lifter guide	1
8	25665-CHP-00	Rod, clutch lifter	1
9	25670-CHP-00	Plate, clutch lifter	1
10	25680-CHP-00	Spring, clutch	4
11	25688-CHP-00	Washer, spline	1
12	93320-122808	Bearing, radial ball 6001	1
13	96414-06025-C	Bolt, flange 6 x 25	4
14	97010-20012	Circlip 20mm	1

Figure 13. - Exhaust Muffler**Figure 13. Exhaust Muffler**

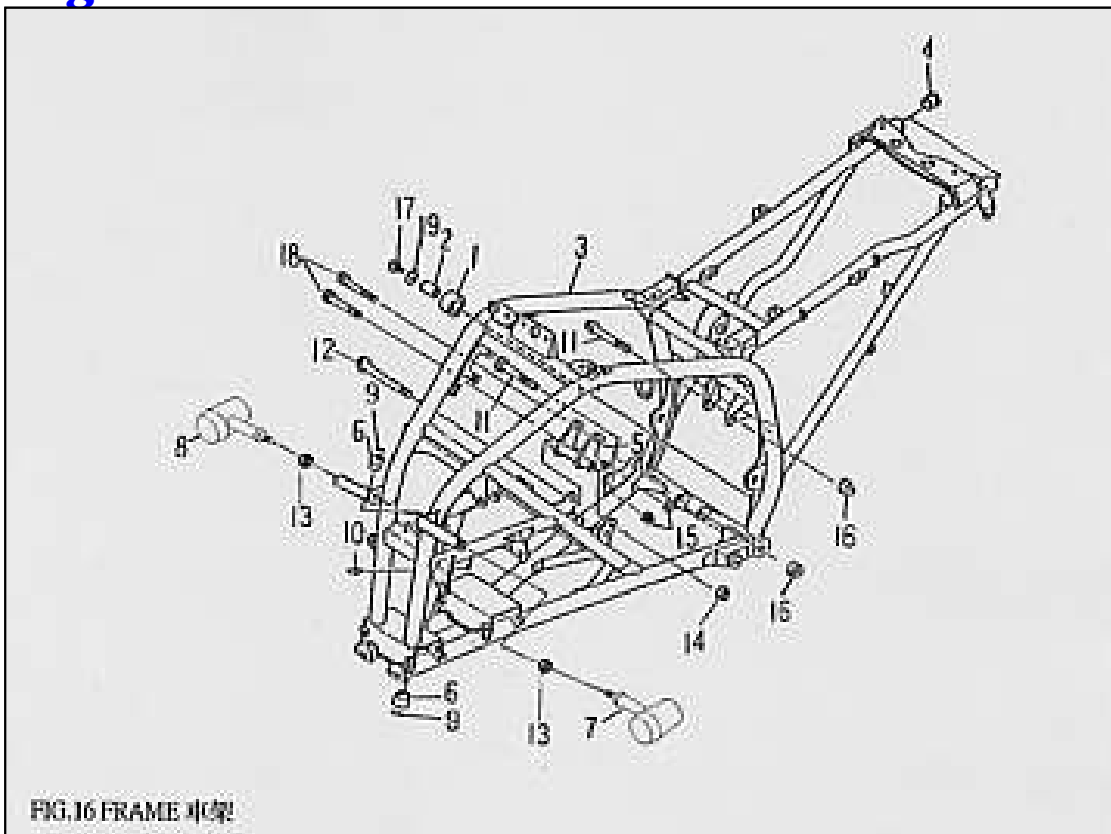
No.	Parts No.	Parts Name	Q'ty
1	31610-RAM-01	Exhaust muffler ass'y	1
2	31611-RAM-00	Pipe, exhaust	1
3	31613-CHP-00	Gasket, exhaust pipe 31.5 x 39.5 x 3	1
4	31614-RAM-00	Gasket, muffler	1
5	31617-RAM-01	Muffler comp	1
6	31618-RAM-00	Protector, exhaust	1
7	31621-CHP-00	Joint, exhaust pipe	1
8	31623-CHP-00	Collar, exhaust pipe joint	2
9	95501-061017-B	Nut, cap 6mm	2
10	96316-06010-K	Screw, pan head	2
11	96414-08016-B	Bolt, flange	1
12	96510-06016-K	Bolt, socket	3
13	97210-061215	Washer, plate	4
14	97301-061115-K	Washer, spring 6.5 x 11 x 1.5	3

Figure 14. - Rear Arm**Figure 14. Rear Arm**

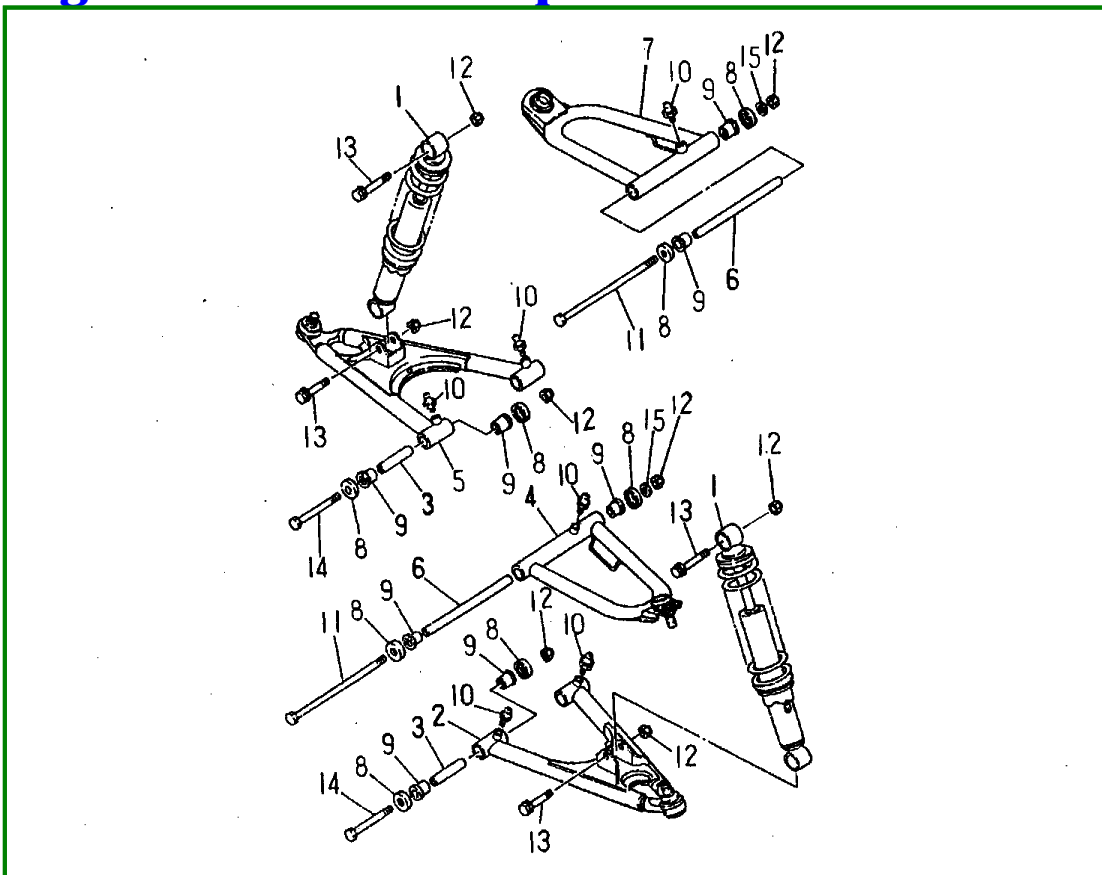
No.	Parts No.	Parts Name	Q'ty
1	32100-RAM-00	Rear arm	1
2	32115-RAM-00	Bush	2
3	32116-RAM-00	Spacer	1
4	32118-RAM-00	Cover, thrust	2
5	32119-RAM-00	Oil seal	2
6	32160-RAM-00	Seal, guard	1
7	32165-RAM-00	Support, chain	1
8	32190-RAM-00	Cover	1
9	93210-25200	O-ring 2.5 x 20	2
10	93310-222820	Bearing, needle roller HK-2220	2
11	94610-15258-B	Shaft, pivot	1
12	95301-142212-B	Nut, lock 14mm	1
13	96414-08012-B	Bolt, flange	4
14	96414-08040-B	Bolt, flange	2
15	97201-142820-B	Washer, plate 14.2 x 28.4 x 2.0	1
16	97201-243820	Washer, plate	2

Figure 15. - Rear Suspension**Figure 15. Rear Suspension**

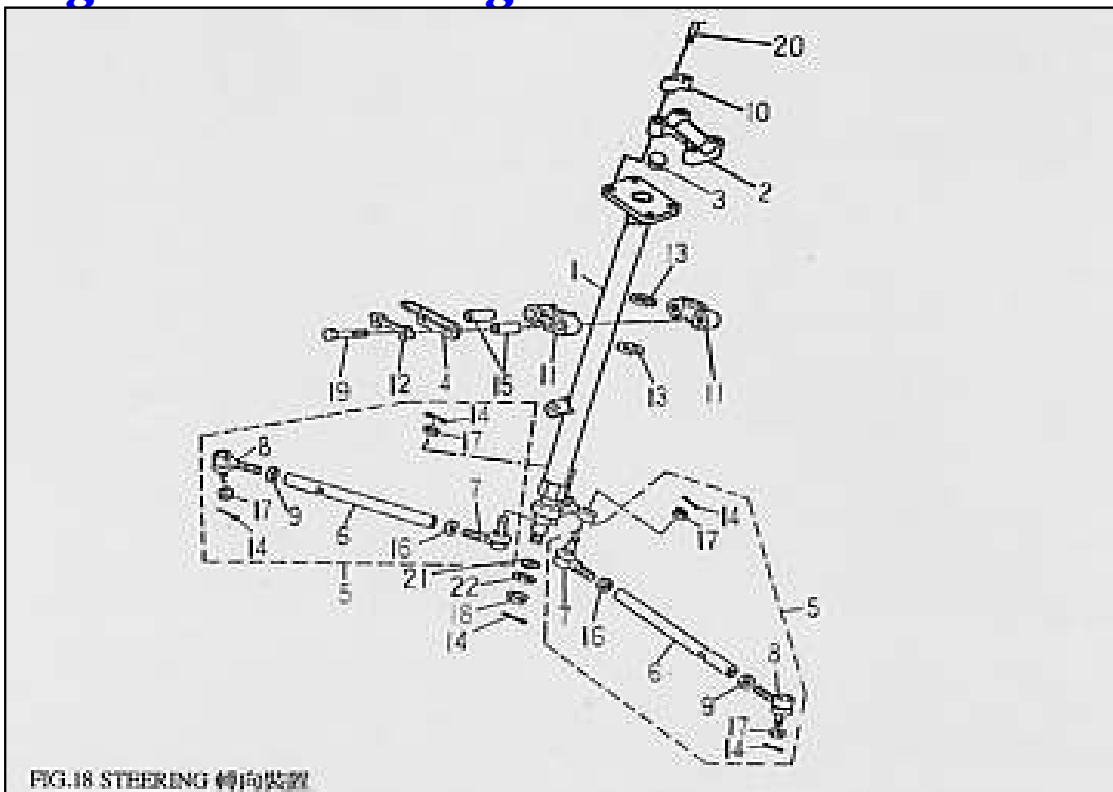
No.	Parts No.	Parts Name	Q'ty
1	32210-CBT-00	Shock absorber ass'y rear	1
2	32231-RAM-00	Cover, thrust	2
3	90240-29025-B	Pin, cotter 2.9 x 25	1
4	94610-12070-B	Pin, clevis	1
5	94710-10066-B	Bolt	1
6	95311-101710-B	Nut, nylon	1
7	97201-102220-B	Washer, plate 10.5 x 22 x 2	1
8	97201-122223-B	Washer, plate 12.5 x 22 x 2.3	1

Figure 16. - Frame**Figure 16. Frame**

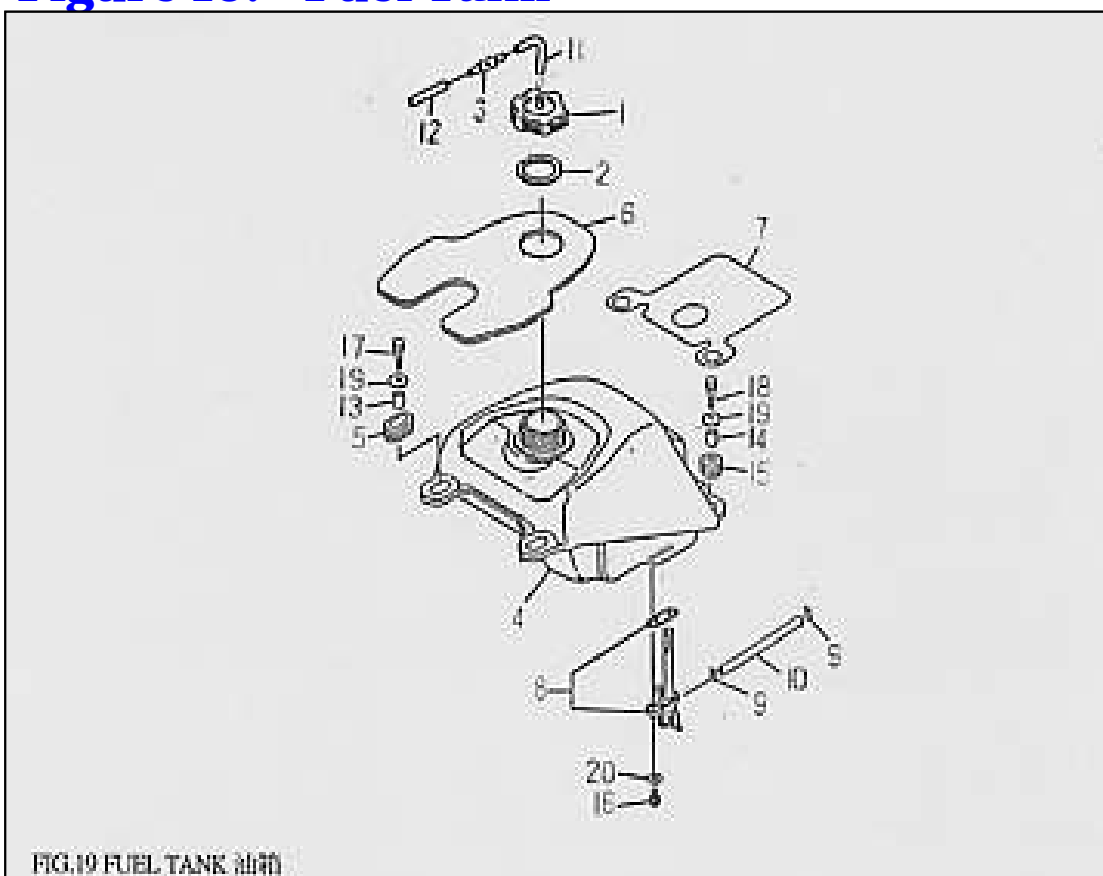
No.	Parts No.	Parts Name	Q'ty
1	32167-RAM-00	Tensioner	2
2	32168-RAM-00	Bush	2
3	41110-RAM-02	Frame comp	1
4	41154-RAM-00	Plug, special shape	2
5	41181-RAM-00	Engine hanger F	1
6	46412-RAM-00	Bush, solid	2
7	55750-RAM-00	WINKER ASS'Y, L REAR	1
8	55760-RAM-00	WINKER ASS'Y, R REAR	1
9	93210-24148	O-ring 2.4 x 14.8	2
10	94340-06010-B	Nipple, grease M6 x P1.0	1
11	94610-10113-B	Bolt, flange	2
12	94610-12140-B	Bolt, flange	1
13	95201-101408-B	NUT, HEXAGON	2
14	95311-121912-B	Nut, nylon	1
15	95401-081208-B	Nut, flange	2
16	95401-101409-B	Nut, flange	2
17	96414-08012-B	Bolt, flange	2
18	96414-08088-B	Bolt, flange	2
19	97201-082420-B	Washer, plate 8.7 x 24 x 2.0	2

Figure 17. - Front Suspension**Figure 17. Front Suspension**

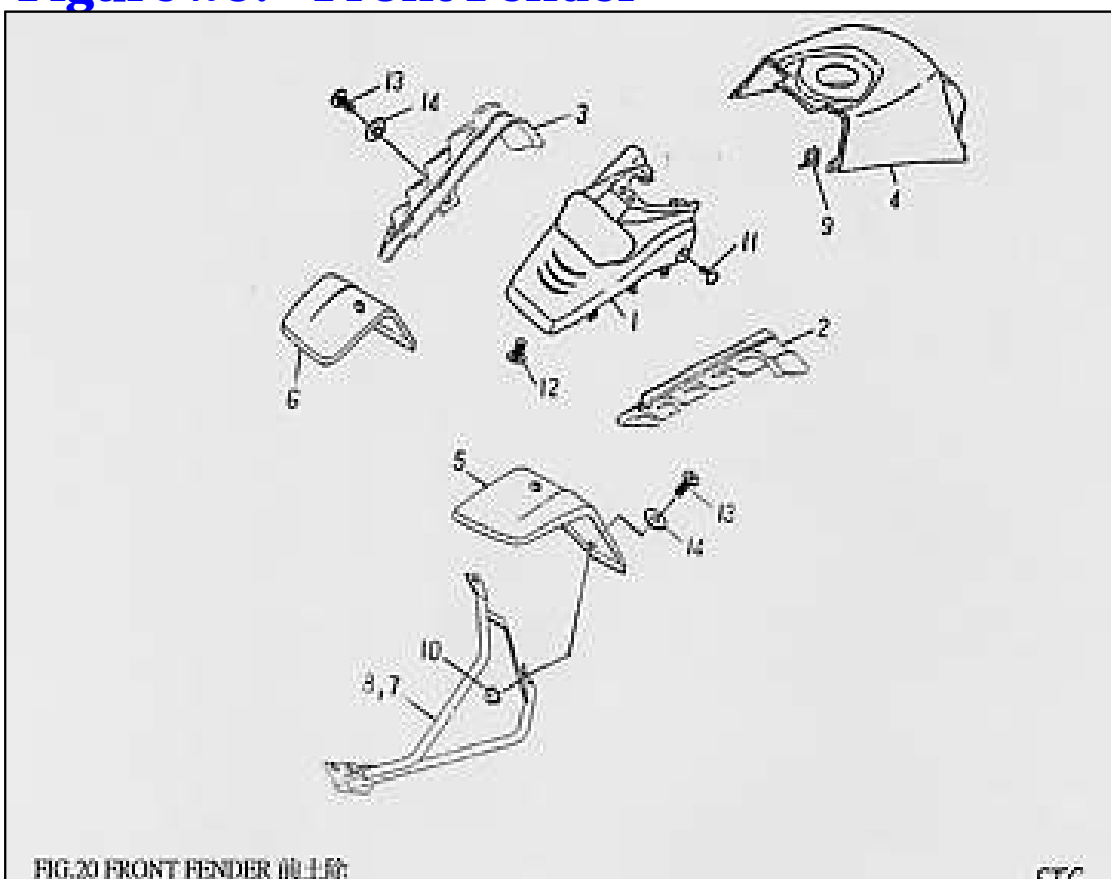
No.	Parts No.	Parts Name	Q'ty
1	42126-RAM-00	Shock absorber Ass'y	2
2	42161-RAM-00	Front lower, arm left	1
3	42163-RAM-00	Collar	4
4	42166-RAM-00	Front upper, arm left	1
5	42171-RAM-00	Front lower, arm right	1
6	42173-RAM-00	Collar	2
7	42176-RAM-00	Front upper, arm right	1
8	42183-RAM-00	Cover, thrust	12
9	93330-152118	Bush, solid	12
10	94340-06010-B	Nipple, grease M6 x P1.0	6
11	94610-10208-B	Shaft, pivot	2
12	95311-101710-B	NUT, NYLON	10
13	96414-10055-B	Bolt, flange	4
14	96414-10080-B	Bolt, flange	4
15	97201-102020-B	Washer, plate 10.5 x 20 x 2	2

Figure 18. - Steering**Figure 18. Steering**

No.	Parts No.	Parts Name	Q'ty
1	42101-RAM-02	Column, steering	1
2	42106-SK9-00	Bridge, Top	1
3	42111-RAM-00	Plug, taper	1
4	42118-RAM-00	Bracket, strg lower	1
5	42140-RAM-00	Rod, tie ass'y	2
6	42141-RAM-00	Rod, tie	2
7	42142-RAM-00	Joint, universal 1	2
8	42143-RAM-00	Joint, universal 2	2
9	42146-RAM-00	Nut	2
10	46125-RAM-00	Holder, handle upper	2
11	46411-RAM-00	Bearing, steering	2
12	46416-RAM-00	Washer, lock	1
13	46417-RAM-00	Oil seal	2
14	90240-23020-B	Pin, cotter 2.3 x 20	5
15	93510-081442-C	Collar	2
16	95201-101408-C	Nut, hexagon	2
17	95321-101710-C	Nut, castle	4
18	95401-101409-B	Nut, Nylon	1
19	96210-08060-B	Bolt, hexagon	2
20	96414-08050-B	Bolt, flange	4
21	97201-102620-B	Washer, plate	1
22	97310-101720-B	Washer, Spring	1

Figure 19. - Fuel Tank**Figure 19. Fuel Tank**

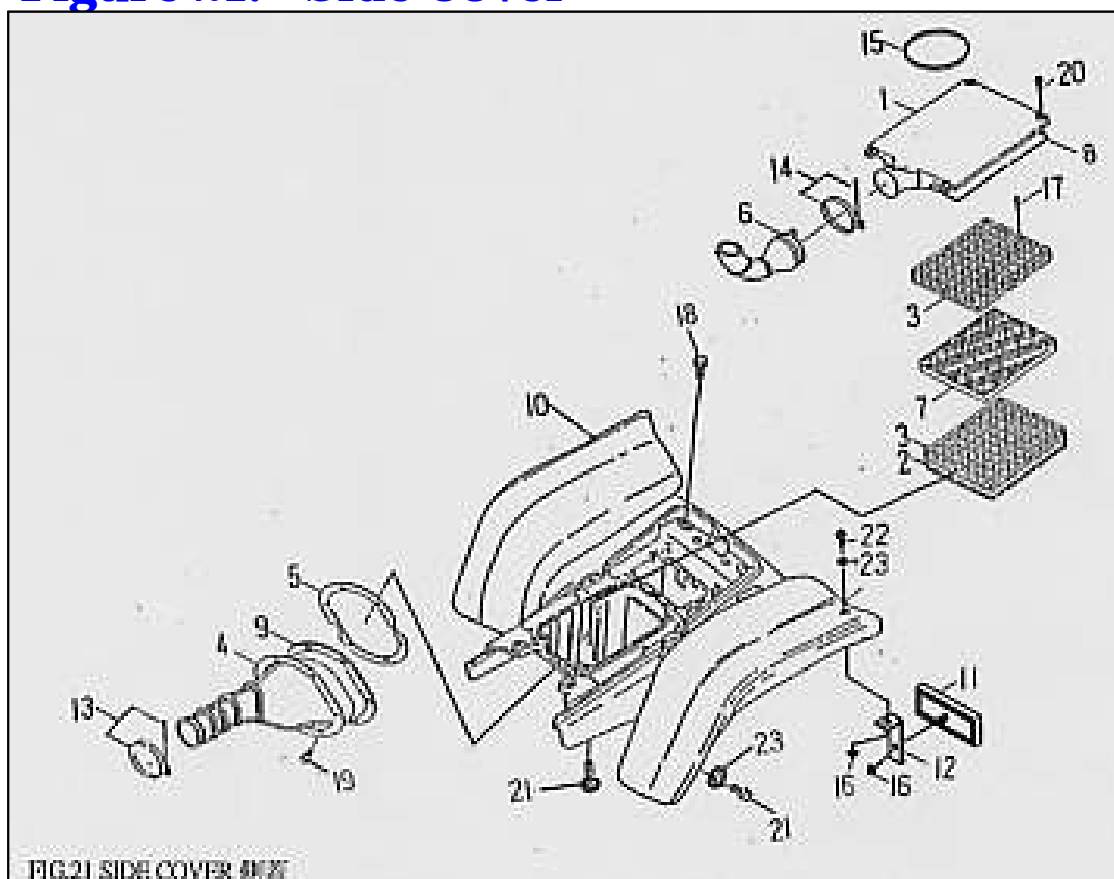
No.	Parts No.	Parts Name	Q'ty
1	43102-RAM-00	Cap ass'y	1
2	43103-RAM-00	Cap washer	1
3	43108-SK5-00	Check, Valve	1
4	43110-RAM-01	Fuel tank	1
5	43151-RAM-00	Grommet, F	2
6	43153-RAM-00	Trim, cover panel	1
7	43154-RAM-00	Guard	1
8	43500-RAM-00	Fuel cock ass'y	1
9	90210-12010	Clip	2
10	90310-50150	Hose, fuel	1
11	90310-50050	Hose 5 x 8 x 50	1
12	90310-50390	Hose 5 x 8 x 390	1
13	93510-061015-B	Collar, F	2
14	93510-061021-B	Collar, R	2
15	93580-102416	Grommet, R	2
16	96318-06012-B	Screw, pan head	2
17	96414-06025-B	Bolt, flange	2
18	96414-06032-B	Bolt, flange	2
19	97201-062220-B	Washer, plate	4
20	97210-061315	Washer, plate	2

Figure 20. - Front Fender**Figure 20. Front Fender**

No.	Parts No.	Parts Name	Q'ty
1	51151-STG-00	PANEL, FRONT	1
2	51162-STG-00	COVER, LEFT TOOL	1
3	51163-STG-00	COVER, RIGHT TOOL	1
4	51532-RAM-00	COVER, TOP	1
5	51552-STG-00	FENDER, FRONT L	1
6	51553-STG-00	FENDER, FRONT R	1
7	51554-STG-00	STAY, FENDER L	1
8	51556-STG-00	STAY, FENDER R	1
9	95101-05012	NUT, SPRING	2
10	95401-061006-B	NUT, FLANGE	4
11	96112-51216-K	SCREW, TAPPING	2
12	96318-06012-B	SCREW, PAN HEAD	1
13	96318-06015-B	SCREW, PAN HEAD	6
14	97321-061825-B	WASHER, FLANGE	6

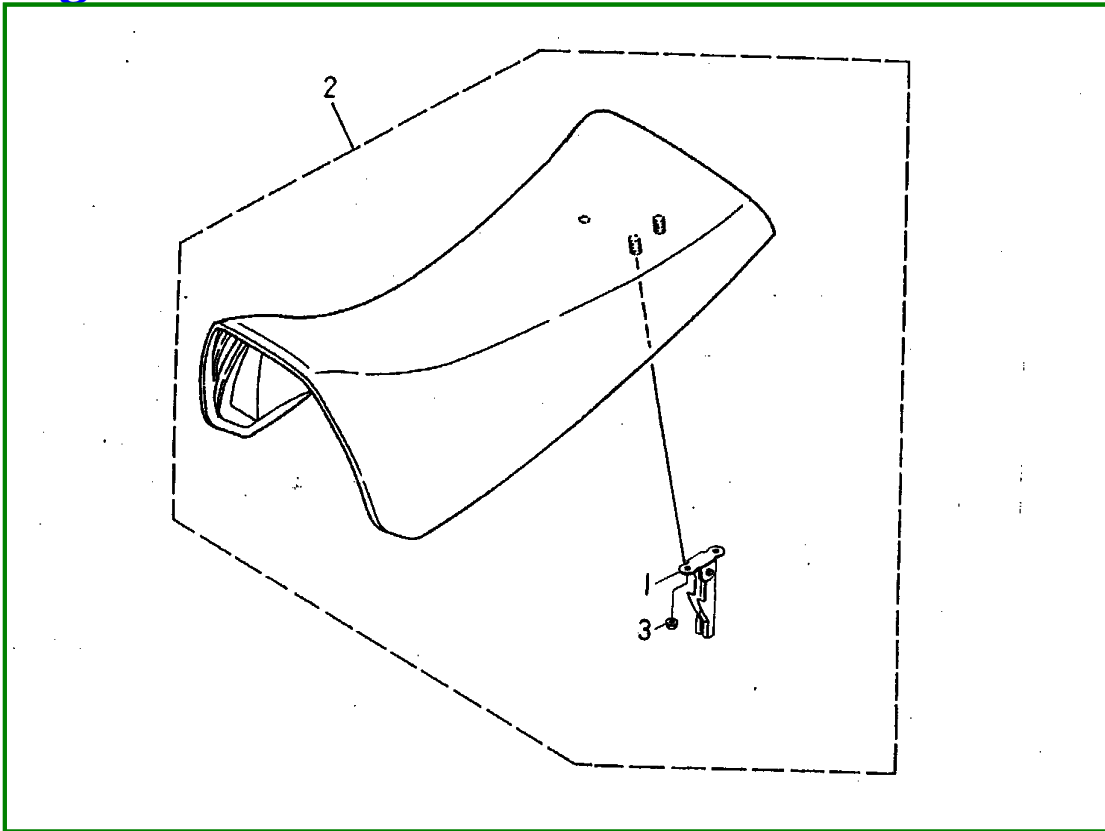
COLOR CODE: 00-RED; 0003-YELLOW; 0004-BLUE; 0007-BLACK

For example: 51151-STG-00 (Red)
 51151-STG-0003 (Yellow)
 51151-STG-0004 (Blue)
 51151-STG-0007 (Black)

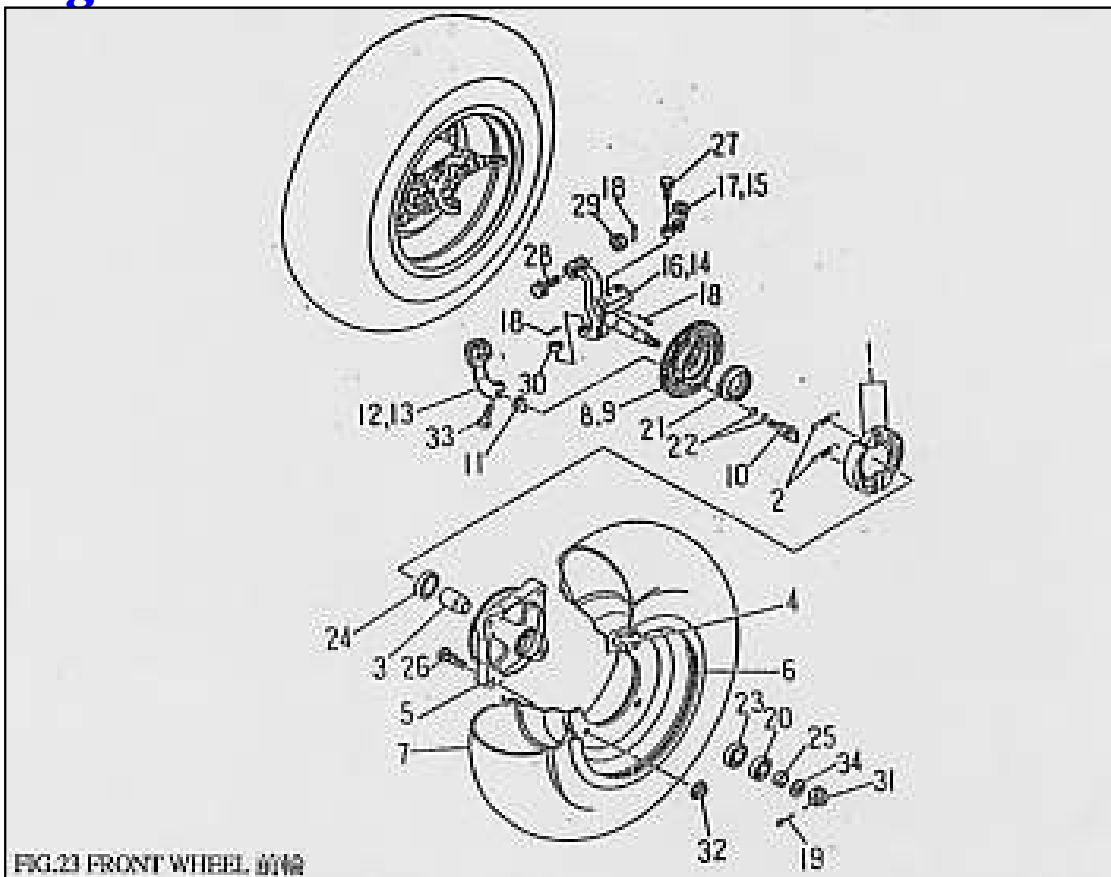
Figure 21. - Side Cover**Figure 21. Side Cover**

No.	Parts No.	Parts Name	Q'ty
1	13412-RAM-00	Cap, cleaner case	1
2	13432-RAM-00	Seal, element	1
3	13433-RAM-00	Plate, element set	2
4	13434-RAM-00	Plate, joint	1
5	13435-RAM-00	Stay, joint	1
6	13437-RAM-00	DUCH	1
7	13451-RAM-00	Element, air cleaner	1
8	13452-RAM-00	Seal, air cleaner cover	1
9	13453-RAM-00	Tube, air cleaner joint	1
10	51171-RAM-00	Cover, side	1
11	55722-SAF-00	Reflector	2
12	55724-RAM-00	Stay, Reflector	2
13	90260-80047	Clamp, hose	1
14	90260-80057	Clamp, hose	1
15	93210-35900	O-ring	1
16	95401-061006-B	Nut, Flange	4
17	96110-43018-K	Screw, tapping	8
18	96218-06016-B	Bolt, hexagon with washer	6
19	96310-05014-B	Screw, pan head	6
20	96313-06020-K	Screw, pan head with washer	4

21	96318-06012-B	Screw, pan head	3	
22	96318-06015-B	Screw, pan head	2	
23	97321-061825-B	Washer, Flange	4	

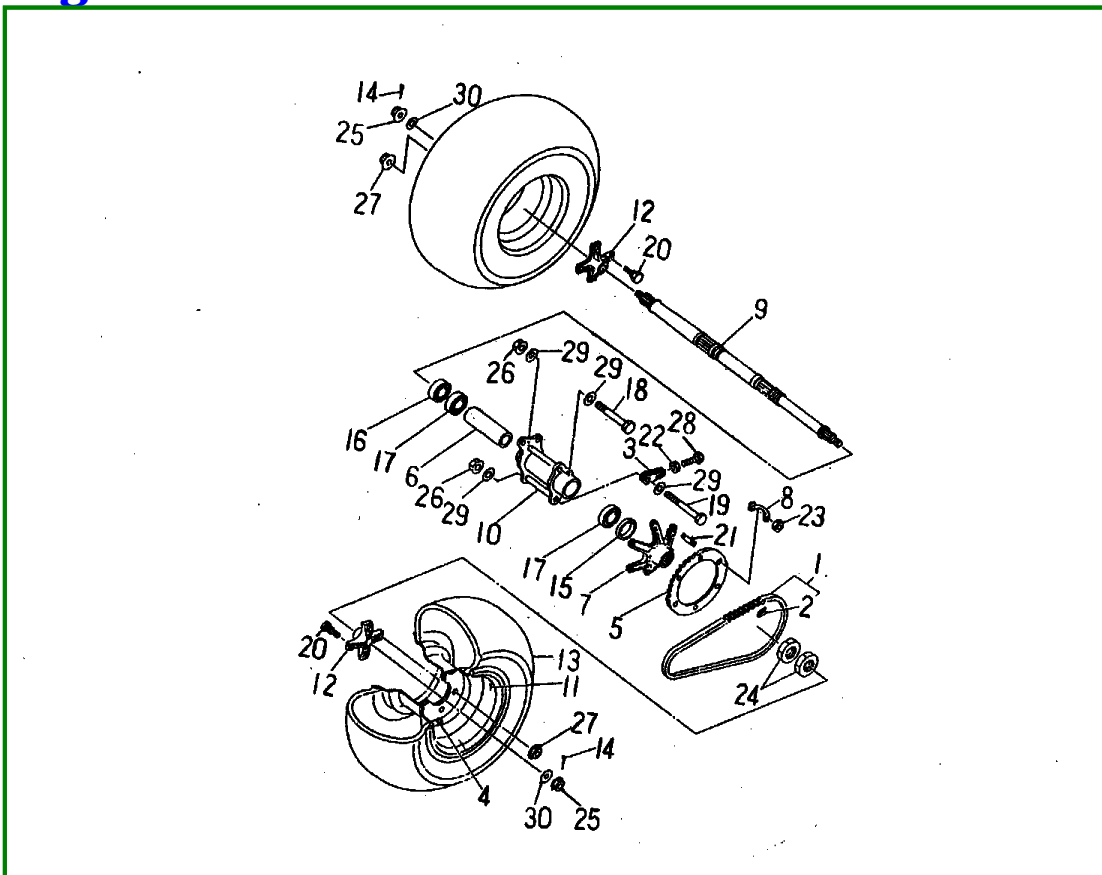
Figure 22. - Seat**Figure 22. Seat**

No.	Parts No.	Parts Name	Q'ty	
1	52710-RAM-00	Catch comp, seat	1	
2	52730-RAM-01	Single seat ass'y	1	
3	95401-061006-C	Nut, flange	2	

Figure 23. - Front Wheel**Figure 23. Front Wheel**

No.	Parts No.	Parts Name	Q'ty
1	32345-NAF-00	Brake shoe set	2
2	32346-NAF-00	Spring, tension	4
3	42515-RAM-00	Spacer, bearing	2
4	42570-RAM-00	Valve, rim	2
5	42581-RAM-00	Hub, front	2
6	42582-RAM-00	Wheel, front 10 x 5.5 AT	2
7	42590-RAM-02	Tire, front AT 21x 7 - 10 HF-247	2
8	45811-RAM-01	Plate, brake shoe L	1
9	45821-RAM-01	Plate, brake shoe R	1
10	45851-RAM-00	Camshaft	2
11	45853-RAM-00	Plate, indicator	2
12	45855-RAM-01	Level, camshaft L	1
13	45856-RAM-01	Level, camshaft R	1
14	45861-RAM-00	Knuckle, steering L	1
15	45862-RAM-00	Joint, rod L	1
16	45866-RAM-00	Knuckle, steering R	1
17	45867-RAM-00	Joint, rod R	1
18	90240-23020-B	Pin, cotter 2.3 x 20	8
19	90240-29025-B	Pin, cotter 2.9 x 25	2
20	93110-22357	Oil seal SD 22 x 35 x 7	2

21	93110-50627	Oil seal SDD 50 x 62 x 7	2	
22	93210-24118	O-ring 2.4 x 11.8	4	
23	93320-153511	Bearing, radial ball 6202	2	
24	93320-203709	Bearing, radial ball 6904	2	
25	93510-152209-C	Collar	2	
26	94710-10032-C	Bolt, stud	8	
27	94716-10030-C	Bolt, keyhole	4	
28	94716-10040-C	Bolt, keyhole	2	
29	95311-101710-C	Nut, nylon	2	
30	95321-101710-C	Nut, castle	2	
31	95321-142215-C	Nut, castle	2	
32	95401-101409-C	Nut, flange	8	
33	96210-06030-B	Bolt, hexagon	2	
34	97201-142820-C	Washer, plate 14.2 x 28.4 x 2	2	

Figure 24. - Rear Wheel**Figure 24. Rear Wheel**

No.	Parts No.	Parts Name	Q'ty
1	25741-RAM-00	Chain 520 x 90 L	1
2	25742-RAM-00	Joint, chain	1
3	32120-RAM-00	Adjuster, chain	2
4	42570-RAM-00	Valve, rim	2
5	42812-RAM-00	Sprocket, driven 40 T	1
6	42815-RAM-00	Spacer, bearing	1
7	42821-RAM-00	Collar, sprocket axle	1
8	42823-RAM-00	Washer, lock	3
9	42835-RAM-00	Axle, wheel	1
10	42881-RAM-00	Hub, rear	1
11	42882-RAM-00	Wheel, rear 8 x 8.0 AT	2
12	42885-RAM-00	Collar, wheel	2
13	42890-RAM-02	Tire, rear AT 21 x 10 - 8 HF-247	2
14	90240-29025-B	Pin, cotter 2.9 x 25	2
15	93110-42628	Oil seal 42 x 62 x 8	1
16	93110-44628	Oil seal 44 x 62 x 8	1
17	93320-356214	Bearing, rsdial ball 6007 RS	2
18	94610-10174-B	Bolt	1
19	94610-10178-B	Bolt	1
20	94710-10032-C	Bolt, ribbed neck	8

21	94717-08028-C	Bolt, stud	6	
22	95201-081207-B	Nut, hexagon	2	
23	95201-081406-B	Nut, hexagon	6	
24	95201-335014-C	Nut, hexagon	2	
25	95326-142114-C	Nut, castle flange	2	
26	95401-101409-B	Nut, flange	2	
27	95401-101409-C	Nut, flange	8	
28	96210-08055-B	Bolt, hexagon	2	
29	97201-102620-B	Washer, plate 10.3 x 26 x 2.0	4	
30	97201-143240-C	Washer, plate 14.2 x 32.5 x 4.0	2	

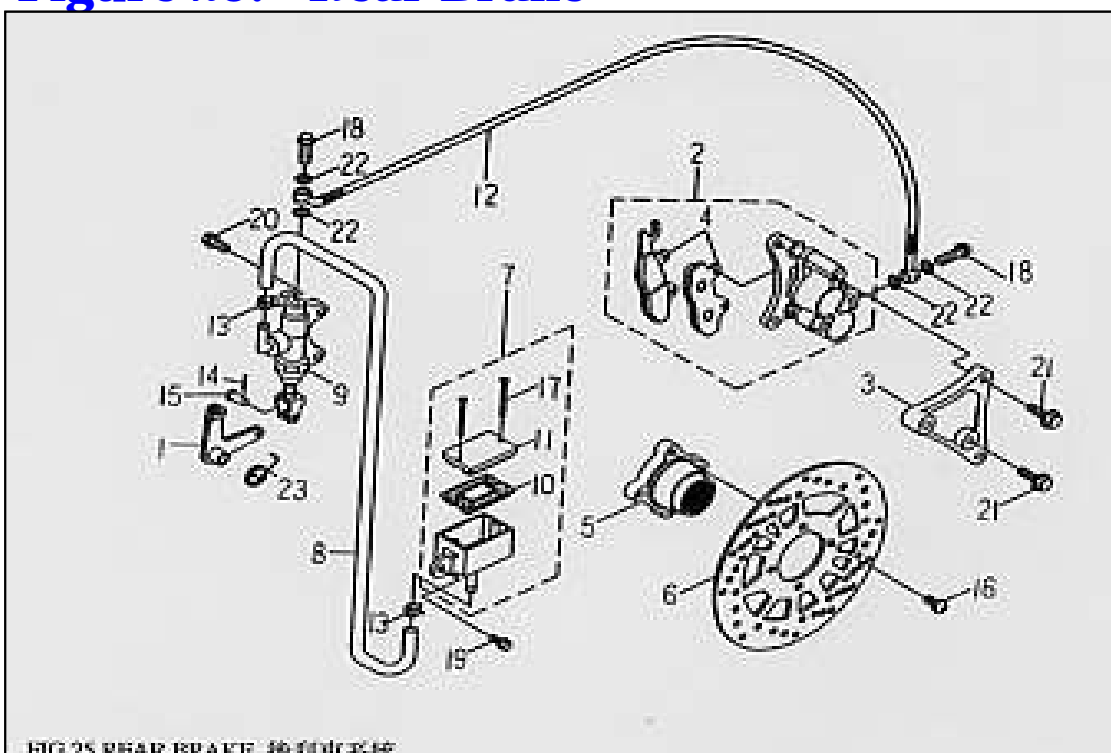
Figure 25. - Rear Brake

FIG.25 REAR BRAKE 後制動系統

Figure 25. Rear Brake

No.	Parts No.	Parts Name	Q'ty
1	32355-RAM-00	Lever, Camshaft	1
2	45801-RAM-00	Caliper ass'y	1
3	45810-RAM-00	Bracket, caliper	1
4	45815-RAM-00	Pad, caliper	1
5	45830-RAM-00	Bracket, disc	1
6	45831-RAM-00	Disc, brake	1
7	45871-RAM-00	Reservoir	1
8	45874-RAM-00	Hose 8 x 13 x 400	1
9	45877-RAM-00	Cylinder kit, master	1
10	45878-NAF-00	Diaphragm, reservoir	1
11	45879-NAF-00	Cap, reservoir	1
12	61320-RAM-00	Hose, brake	1
13	90220-80013	Clamp	2
14	90230-12008	Cotter pin	1
15	94610-06016-B	Pin, clevis	1
16	94706-08017-B	Bolt, button	4
17	94712-04040-K	Screw, flat head	2
18	94716-10022-G	Bolt, union	2
19	96414-06016-B	Bolt, flange	1
20	96414-06022-B	Bolt, flange	2
21	96414-08020-B	Bolt, flange	4
22	97230-101512	Washer, copper 10.3 x 15 x 1.2	4
23	97508-20200-B	SPRING TORSION	1

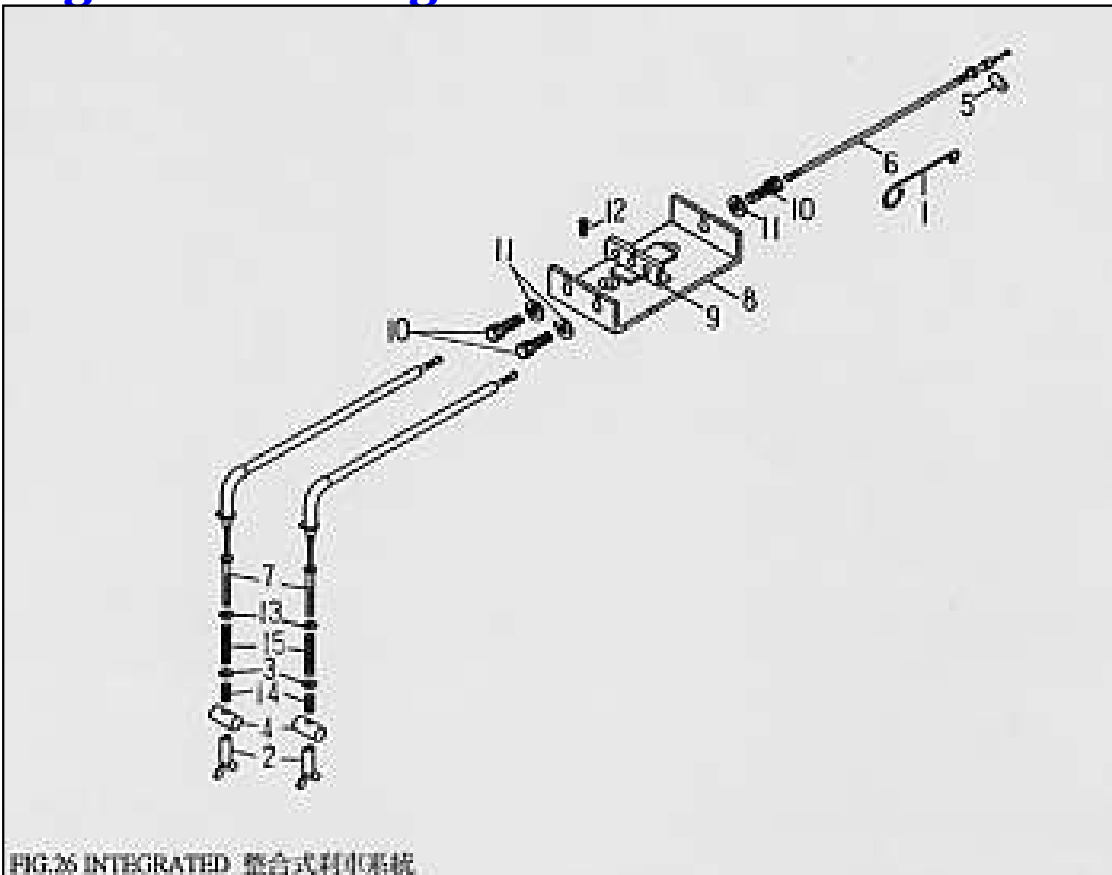
Figure 26. - Integrated

FIG.26 INTEGRATED 整合式刹車系統

Figure 26. Integrated

No.	Parts No.	Parts Name	Q'ty
1	42119-NAF-00	HOLDER, BRAKE HOSE	1
2	61379-SK9-00	NUT, ADJUST	2
3	61384-RAM-00	WASHER	2
4	61389-NAF-00	PIN, FIXTURE	2
5	61389-RAM-00	PIN, FIXTURE	1
6	61811-RAM-00	CABLE, BRAKE UPPER	1
7	61812-RAM-00	CABLE, BRAKE LWR	2
8	61861-RAM-00	CABLE, PAN CONNECTOR	1
9	61863-RAM-00	SLIDER, CONNECTOR	1
10	62916-RAM-00	BOLT, WIRE ADJUSTING	3
11	62917-RAM-00	NUT, WIRE ADJUSTING	3
12	94712-05012-B	SCREW, FLAT HEAD	1
13	97011-06008-B	CIRCLIP 6*0.8	2
14	97501-10042-B	SPRING, COMPRESSION	2
15	97501-12071-B	SPRING, COMPRESSION	2

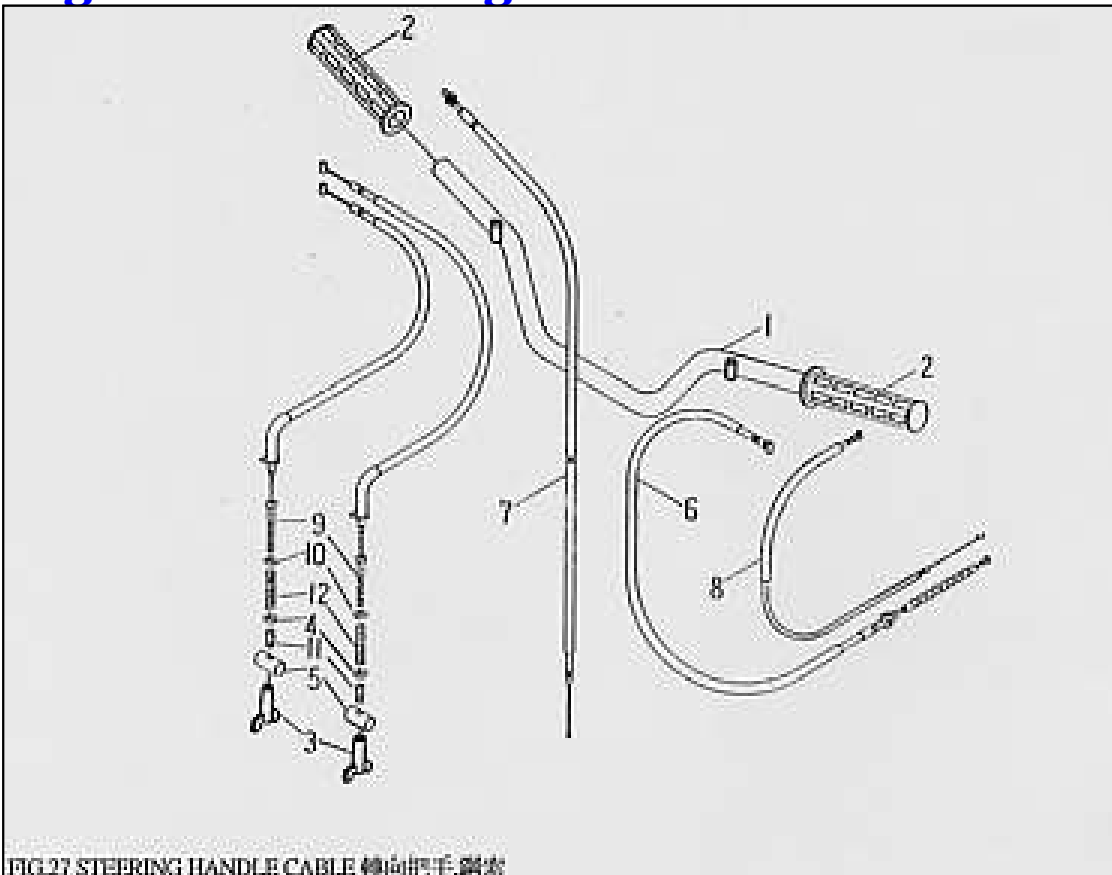
Figure 27. - Steering Handle Cable

FIG.27 STEERING HANDLE CABLE 轉向把手鋼索

Figure 27. Steering Handle Cable

No.	Parts No.	Parts Name	Q'ty
1	46110-RAM-01	Handlerbar	1
2	46240-RAM-00	Grip	2
3	61379-SK9-00	Nut, adjust	2
4	61384-RAM-00	Washer	2
5	61389-NAF-00	Pin, fixture	2
6	61420-RAM-00	Cable, clutch	1
7	61620-STG-00	Cable, throttle	1
8	61720-RAM-00	Cable, choke	1
9	61820-RAM-00	Cable, brake	2
10	97011-06008-B	Circlip 6 x 0.8	2
11	97501-10042-B	Spring, compression	2
12	97501-12071-B	Spring, compression	2

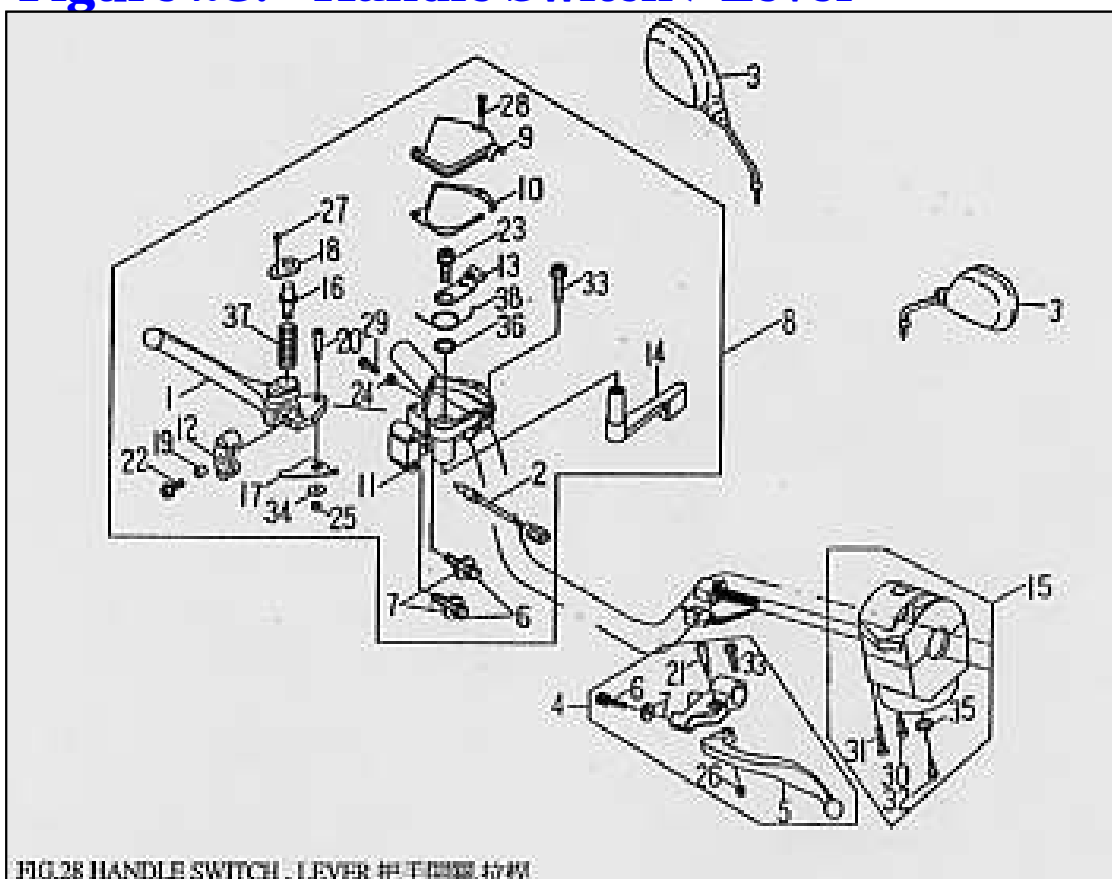
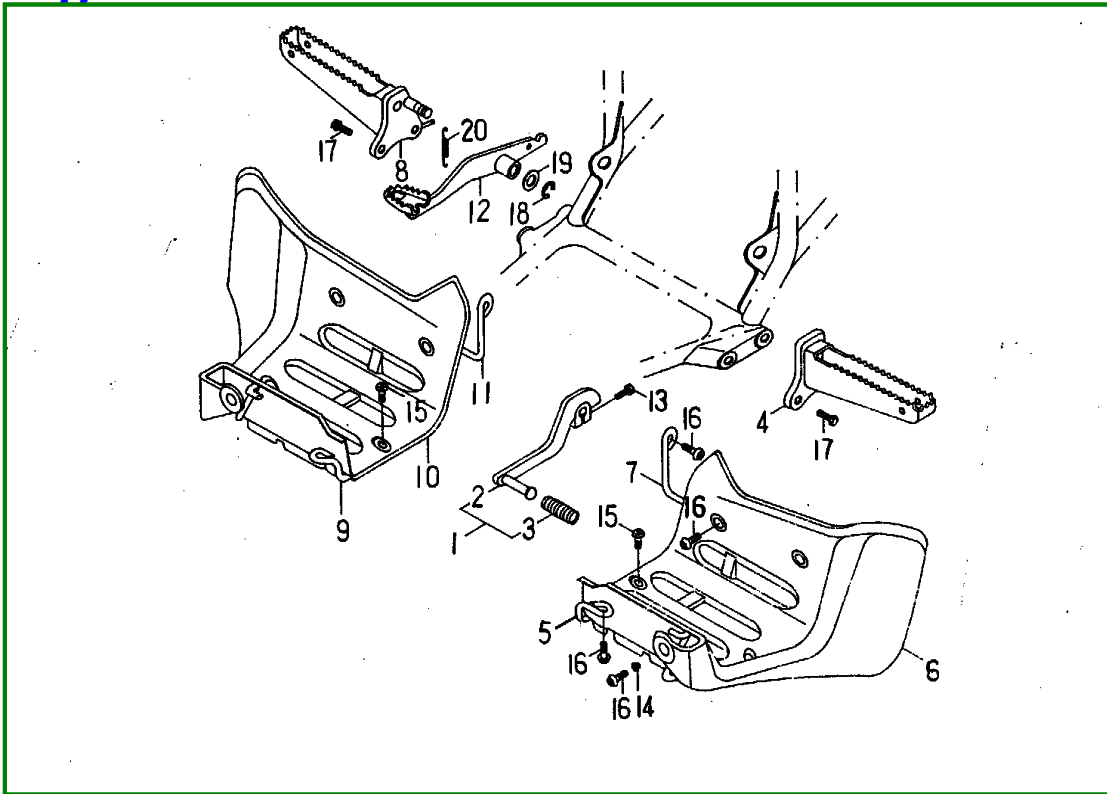
Figure 28. - Handle Switch / Lever

FIG.28 HANDLE SWITCH, LEVER 把手脚踏控制

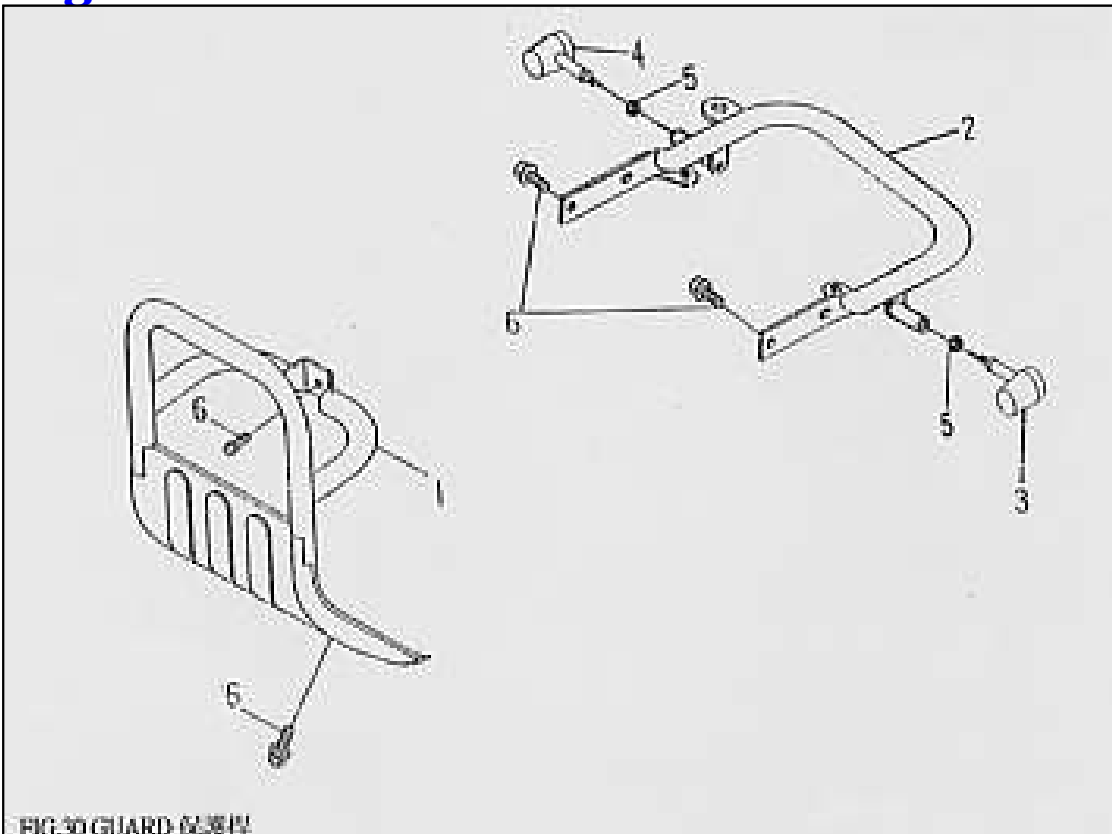
Figure 28. Handle Switch / Lever

No.	Parts No.	Parts Name	Q'ty
1	45872-RAM-00	Lever, R	1
2	45890-RAM-00	WINING, FR STOP SWITCH	1
3	56270-ROA-00	MIRROR ASS'Y, BACK	1
4	62910-RAM-01	LEVER ASS'Y, HANDLE	1
5	62912-SK9-01	Lever, L	1
6	62916-RAM-00	Bolt, wire adjusting	3
7	62917-RAM-00	Nut, wire adjusting	3
8	62920-RAM-01	Throttle lever ass'y	1
9	62923-RAM-00	Cap, throttle	1
10	62924-RAM-00	Gasket, throttle	1
11	62925-RAM-00	Throttle lever	1
12	62926-RAM-00	Joint, cable	1
13	62927-RAM-00	Arm, throttle	1
14	62928-RAM-00	Lever, throttle	1
15	62930-RAM-02	Handle switch ass'y L	1
16	62971-RAM-00	Pin, lock	1
17	62973-RAM-00	Lock, lever	1
18	62976-RAM-00	Cover	1
19	93560-68507	Collar, lever 6.3 x 8.5 x 7.4	1
20	94710-05026-G	Bolt, lever	1

21	94710-06029-G	Bolt, lever	1	
22	94714-06016-G	Bolt	1	
23	94714-08012-G	Bolt	1	
24	95201-050804-G	Nut, hexagon	1	
25	95311-050805-K	Nut, nylon	1	
26	95311-061006-K	Nut, nylon	1	
27	96310-03008-B	Screw, pan head	1	
28	96310-04015-G	Screw, pan head	2	
29	96310-05015-G	Screw, pan head	1	
30	96310-05030-G	Screw, pan head	1	
31	96310-05040-G	Screw, pan head	1	
32	96310-06010-G	Screw, pan head	1	
33	96510-06020-G	Bolt	2	
34	97201-051516-C	Washer, plate 5.3 x 15 x 1.6	1	
35	97201-061310-B	Washer, plate 6.5 x 13 x 1.0	1	
36	97201-142016-C	Washer, plate 14.2 x 19.7 x 1.6	1	
37	97501-08025-B	Spring	1	
38	97508-10240-B	Spring	1	

Figure 29. - Stand Footrest**Figure 29. Stand Footrest**

No.	Parts No.	Parts Name	Q'ty
1	53210-RAM-00	Change pedal ass'y	1
2	53211-RAM-00	Change pedal	1
3	53214-ROA-00	Rubber, change pedal	1
4	53231-RAM-00	Footrest L	1
5	53233-RAM-00	Mudguard stay L1	1
6	53234-RAM-00	Mudguard L	1
7	53236-RAM-00	Mudguard stay L2	1
8	53241-RAM-02	Footrest R	1
9	53243-RAM-00	Mudguard stay R1	1
10	53244-RAM-00	Mudguard R	1
11	53246-RAM-00	Mudguard stay R2	1
12	53261-RAM-02	Pedal, brake	1
13	94714-06020-B	Bolt, flange	1
14	95401-061006-B	Nut, flange	1
15	96318-06012-B	Screw, pan head	6
16	96318-06015-B	Screw, pan head	8
17	96414-10025-B	Bolt, flange	4
18	97011-12010-B	Circlip 12 x 1.0	1
19	97201-152620-B	Washer, plate 15.2 x 25.6 x 2.0	1
20	97506-12140-B	Spring, tension	1

Figure 30. - Guard**Figure 30. Guard**

No.	Parts No.	Parts Name	Q'ty
1	41601-RAM-00	Shield, front	1
2	52850-RAM-04	Shield, rear	1
3	55750-RAM-00	WINKER ASS'Y, L REAR	1
4	55760-RAM-00	WINKER ASS'Y, R REAR	1
5	95201-101408-B	NUT, HEXAGON	2
6	96414-08016-B	BOLT, FLANGE	7

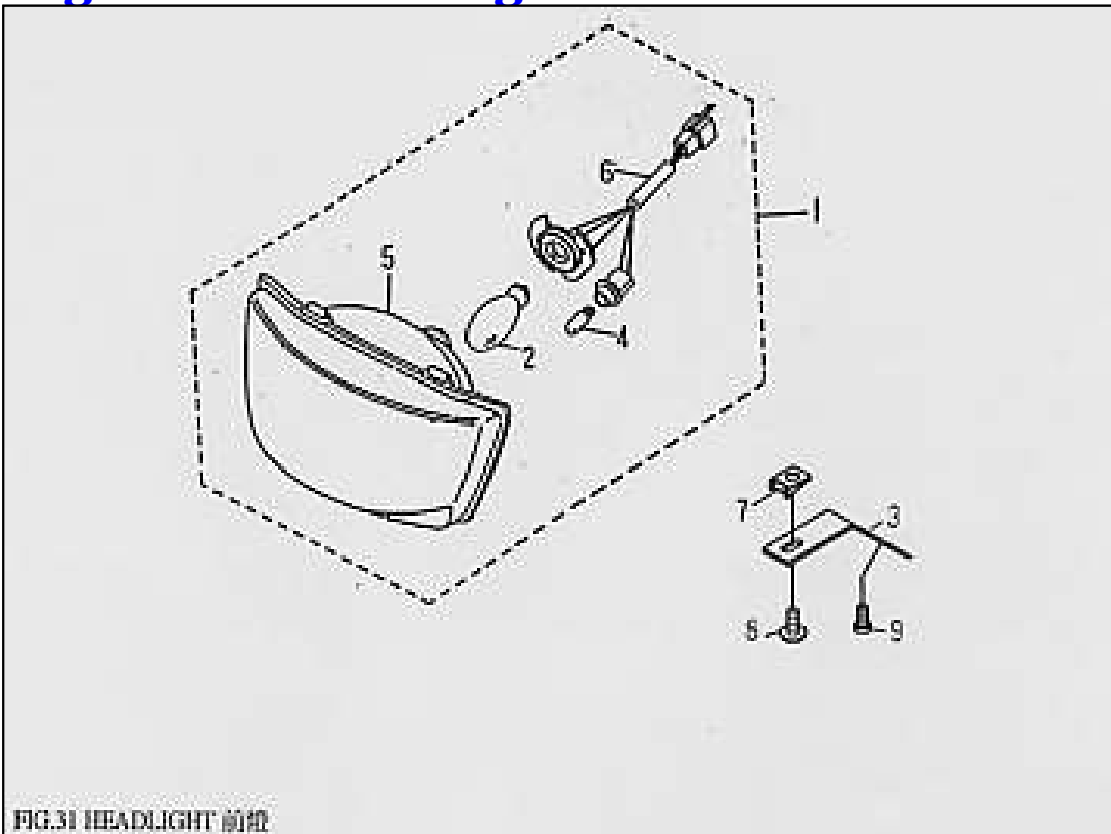
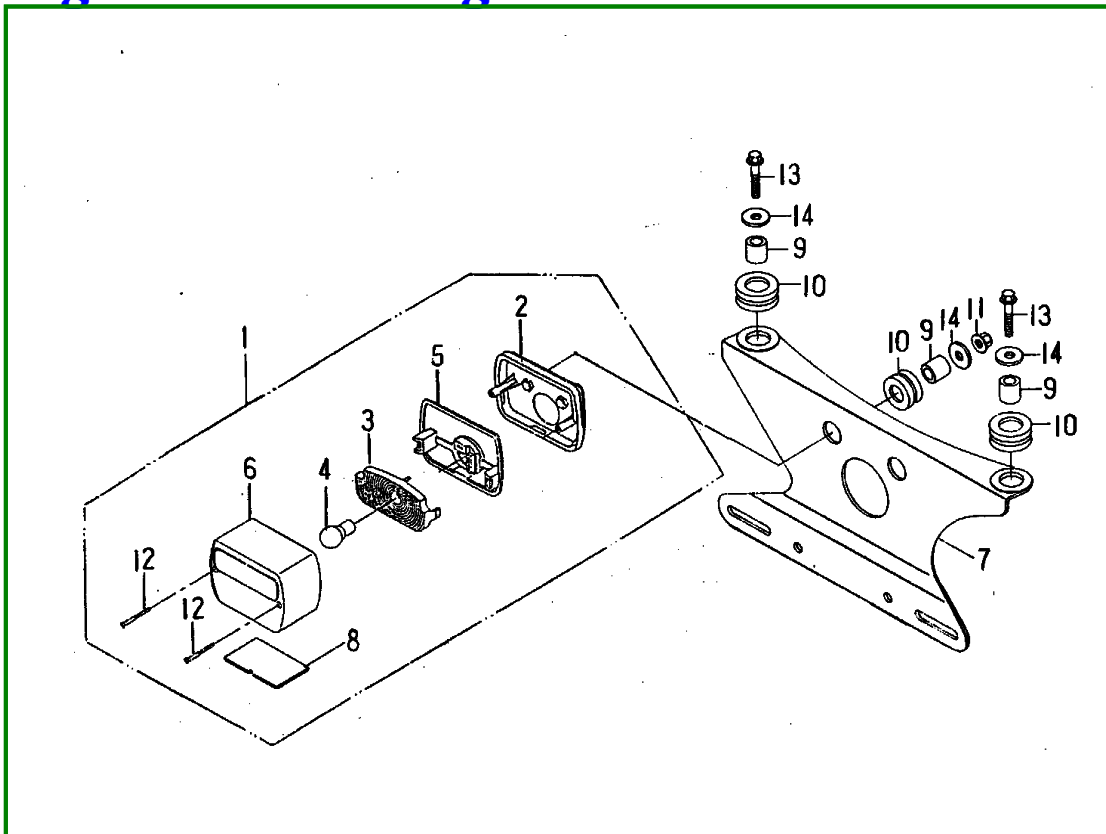
Figure 31. - Head Light

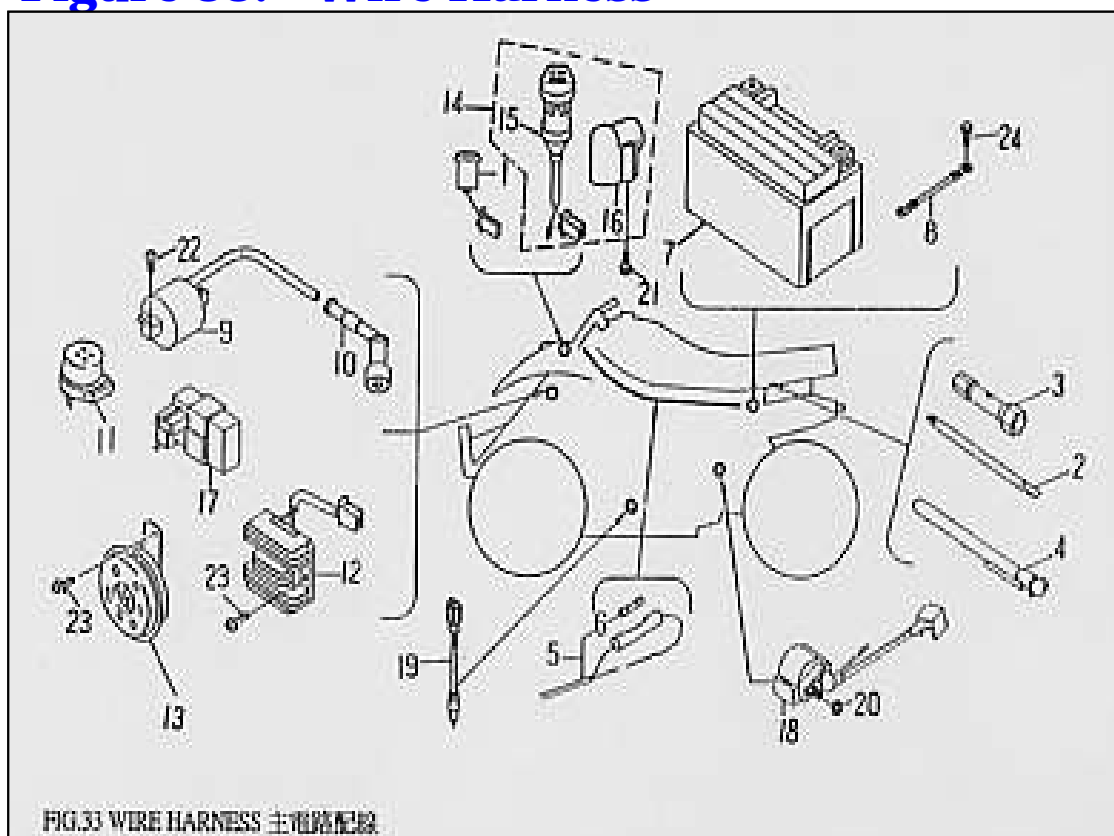
FIG.31 HEADLIGHT ASS'Y

Figure 31. Head Light

No.	Parts No.	Parts Name	Q'ty
1	55300-STG-00	Head light ass'y	1
2	55314-NFF-00	Bulb, head light 12V35/35W	1
3	55315-STG-00	STAY, HEAD LIGHT	1
4	55316-NGF-00	BULB, POSITION LAMP	1
5	55320-STG-00	LENS ASS'Y	1
6	55340-STG-00	SOCKET CORD ASS'Y	1
7	95101-005012	NUT, SPRING	1
9	96112-51616-K	SCREW, TAPPING	1
10	96310-04010-B	SCREW, PAN HEAD	1

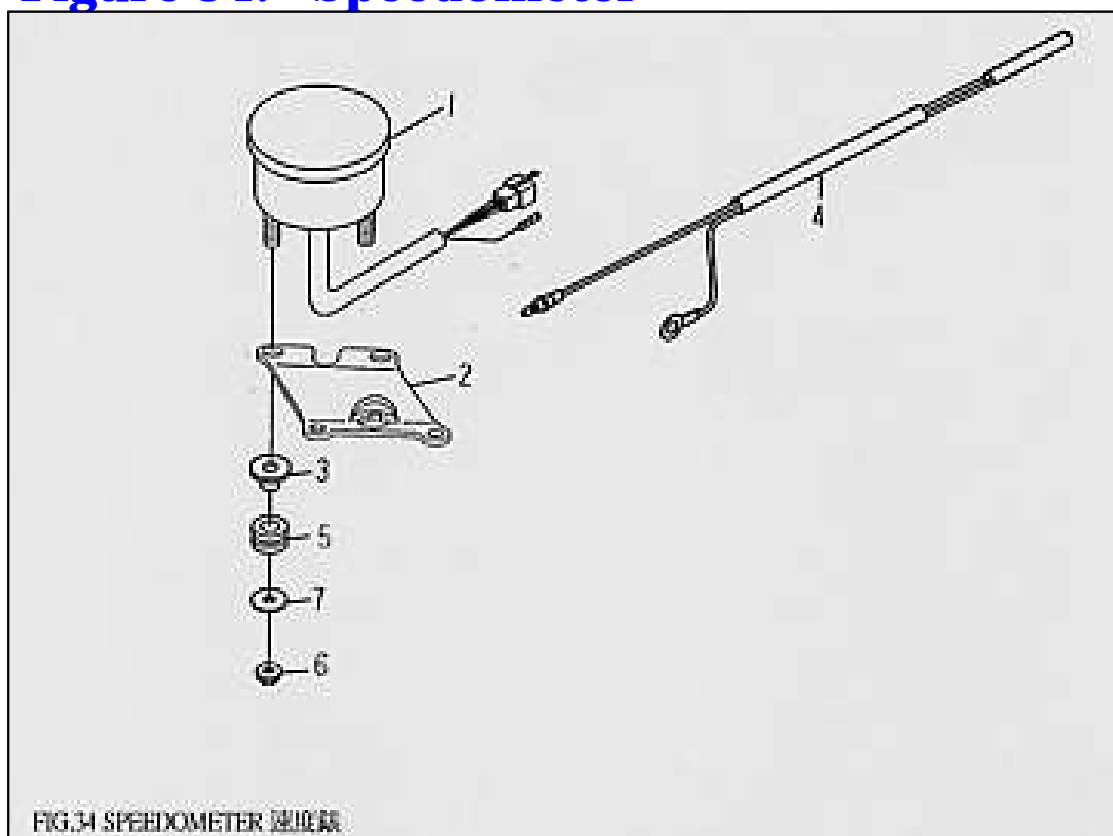
Figure 32. - Tail Light**Figure 32. Tail Light**

No.	Parts No.	Parts Name	Q'ty
1	55700-CHP-00	Tail light ass'y	1
2	55701-CHP-00	Stand, tail light	1
3	55713-PAF-00	Bulbs stand, tail light	1
4	55714-PAF-00	Bulb, tail light	1
5	55715-PAF-00	FIXING WASHER	1
6	55721-PAF-00	Lens, tail light	1
7	55726-RAM-00	Holder, tail light	1
8	55743-PAF-00	Lens, license light	1
9	93510-061010	Collar	4
10	93580-102212	Grommet	4
11	95401-061006-B	Nut, flange	2
12	96112-43818-B	Screw, tapping	2
13	96414-06020-B	Bolt, flange	2
14	97201-061820-B	Washer, plate	4

Figure 33. - Wire Harness**Figure 33. Wire Harness**

No.	Parts No.	Parts Name	Q'ty
1	55550-RAM-00	Neutral light ass'y	1
2	56120-RAM-00	Screw driver	1
3	56140-RAM-00	Tool plug	1
4	56190-RAM-00	Gauge, air	1
5	61120-RAM-03	Wire, harness	1
6	61151-CHP-00	Fuse (15A250V)	1
7	62100-GAT-01	Battery ass'y (YTX7A-BS)	1
8	62120-RAM-00	Cable, earth	1
9	62310-ROA-00	Ignition coil ass'y	1
10	62320-CHP-00	Plug cap ass'y	1
11	62350-NAF-01	FLASHER RELAY ASS'Y	1
12	62360-CHP-00	Rectifier & regulator comp	1
13	62370-NAF-00	HORN	1
14	62500-RAM-00	KEY SET	1
15	62501-RAM-00	Main switch ass'y	1
16	62503-RAM-00	LOCK COMP, STEERING HANDLE	1
17	62540-CHP-00	C.D.I. unit ass'y	1
18	62550-RAM-00	Starter relay switch comp	1
19	62980-CHP-00	SWITCH ASS'Y, REAR STOP	1
20	95401-061006-B	Nut, flange	1
21	96310-05012-B	Screw, pan head 5 x 12	2

22	96310-05016-B	Screw, pan head 5 x 16	2	
23	96312-06016-K	SCREW, PAN HEAD WITH WASHER	2	
24	96414-06012-B	Bolt, flange	1	

Figure 34. - Speedometer**Figure 34. Speedometer**

No.	Parts No.	Parts Name	Q'ty
1	55510-RAM-00	SPEEDOMETER ASS'Y	1
2	55516-RAM-00	HOLDER, SPEEDOMETER	1
3	55545-CHP-00	COLLAR, SPEEDOMETER	2
4	61520-RAM-00	CENSOR, HARNESS	1
5	93580-81609	GROMMET.	2
6	95401-050805-B	NUT, FLANGE	2
7	97201-051610	WASHER, PLATE 5.3*16*1	2

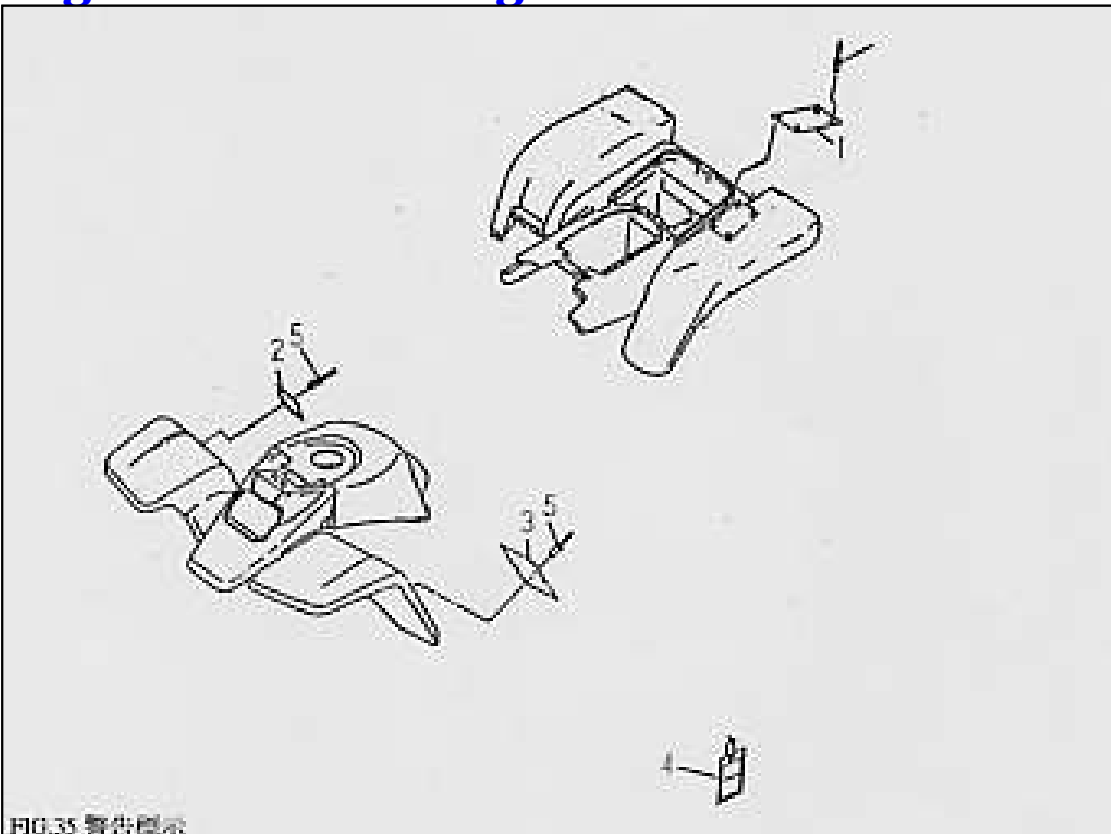
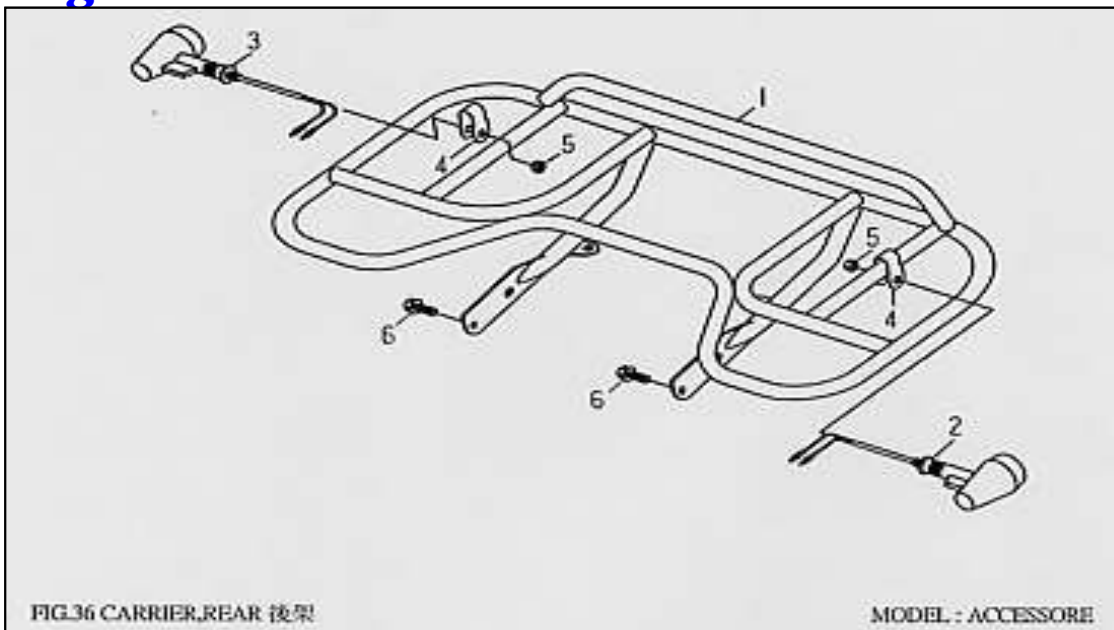
Figure 35. - Warning

FIG.35 警告顯示

Figure 35. Warning

No.	Parts No.	Parts Name	Q'ty
1	56576-RAM-00	Label warning 3 (Tire)	1
2	56578-RAM-00	Label warning 2 (Age)	1
3	56781-RAM-01	Label warning 1 (Operation)	1
4	56782-RAM-00	ATV WARN. TAG SPORT	1
5	94320-32096	RIVET 3.2*9.6	14

Figure 36. - Rear Carrier**Figure 36. Rear Carrier**

No.	Parts No.	Parts Name	Q'ty
1	52850-RAM-03	CARRIER, REAR	1
2	55750-RAM-00	WINKER ASS'Y, L REAR	1
3	55760-RAM-00	WINKER ASS'Y, R REAR	1
4	56260-RAM-00	CORD, MIRROR	2
5	95201-101408-B	NUT, HEXAGON	2
6	96414-08016-B	BOLT, FLANGE	4