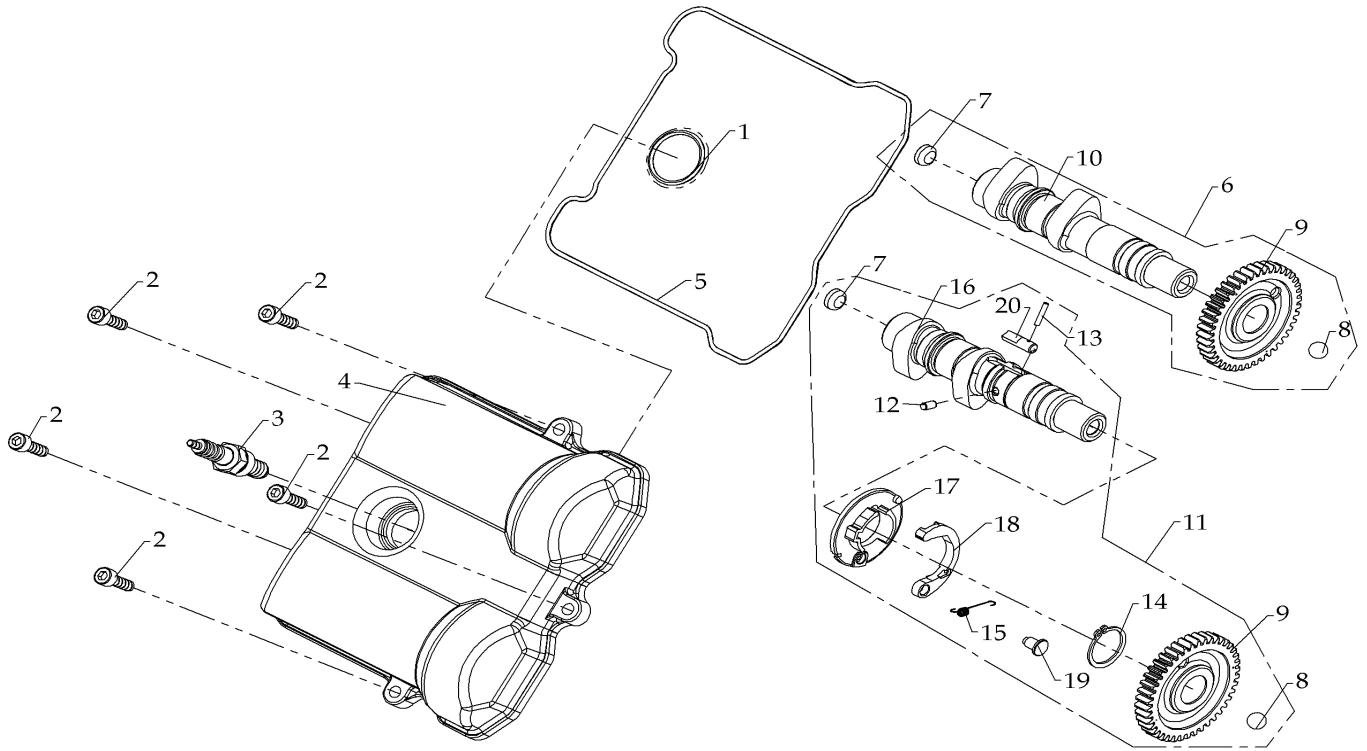
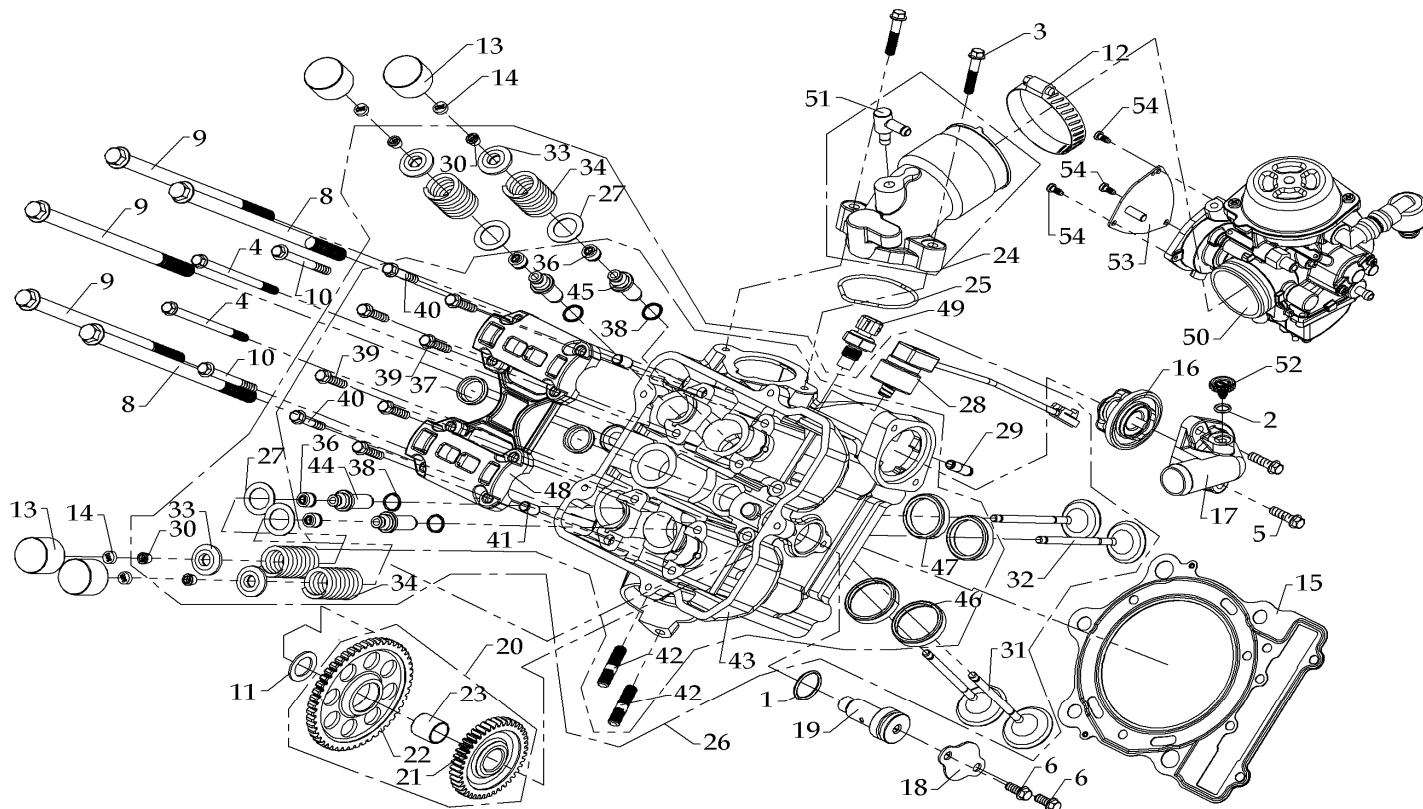


CYLINDER HEAD COVER & CAMSHAFT



Item	Part no	Description	Specification	Q'ty
1	A040050-00	O RING	Ø27.8XØ2.4	1
2	A050053-41	HEX SOCKET BOLT	M8X1.25X20L	5
3	A160011-00	STARK PLUG	NGK-CR6E	1
4	E150009-01	CYLINDER HEAD COVER	GRAY,PANTONE 432U	1
5	E150123-00	GASKET		1
6	E150143-00	CAMSHIFT ASSY.		1
7	A030047-42	CAP	Ø12	2
8	A150001-00	BALL,BEARING	Ø9.525	2
9	E150132-00	GEAR, CAMSHAFT	42T	2
10	E150139-00	CAMSHAFT IN		1
11	E150144A00	CAMSHIFT ASSY.		1
12	A070044-00	PIN	Ø4X8L	1
13	A070045-00	PIN , NEEDLE ROLLER	F2.5X13.8	1
14	A100034-43	CIRCLIP,C TYPE	Ø23	1
15	A110058-00	SPRING		1
16	E150142-00	CAMSHAFT EX		1
17	E150192-00	BODY,DECOMPRESSOR		1
18	E150191-00	ARM,DECOMPRESSOR		1
19	E150149A00	PIN		1
20	E150150-00	PIN		1

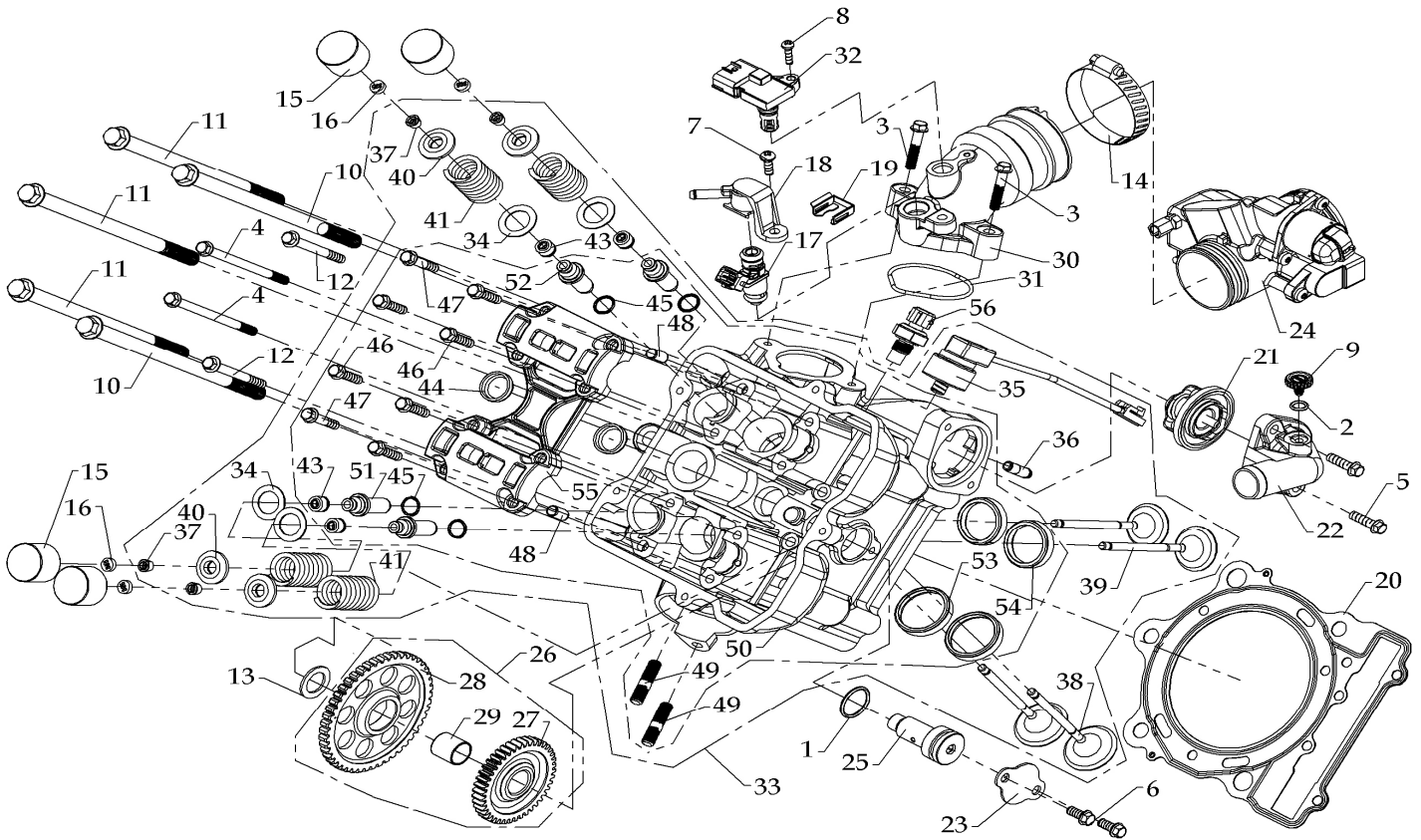
CYLINDER HEAD(CARBURETOR)



Item	Part no	Description	Specification	Q'ty
1	A040049-01	O RING	Ø21XØ2 (VITON)	1
2	A040039-00	O RING	P8-7.8x1.9	1
3	A050124-41	HEX WASHER FACE BOLT	M6X1.0X32L	2
4	A050126-41	HEXAGONAL FLANGE BOLT	M6x1.0X95L	2
5	A050131-41	HEXAGONAL FLANGE BOLT	M6x1.0X22L	2
6	A050137-41	HEXAGONAL FLANGE BOLT	M6X1.0X14L	2
7	A050241-56	BOLT,AIR RELIE	M6x1.0	1
8	A050240-00	HEXAGONAL FLANGE BOLT	M10X1.25X200L-12T	2
9	A050244-00	HEXAGONAL FLANGE BOLT	M10X1.25X190L-12T	3
10	A050248-41	HEXAGONAL FLANGE BOLT	M6x1.0x60L	2
11	A080121-00	SPACER	Ø16.2XØ25X1.5t	1
12	A220047-00	ZEBRA HOSE CLAMPS	40-64x12.7	1
13	E150004-02	TAPPET		4
14	E150005-XX	SHIM TAPPET		4
15	E150012-00	CYLINDER HEAD COMP		1
16	E150119-00	THERMOSTAT,WATER	Ø48.5XØ25X82°C	1
17	E150122-00	COVER,THERMOSTAT		1
18	E150126-41	COVER		1
19	E150133-00	24T		1
20	E150134-00	DRIVER GEAR,TIMING CHAIN ASSY		1
21	E150131-00	TIMING GEAR	42T	1
22	E150048-00	DRIVER GEAR,TIMING CHAIN	48T	1
23	A020013-00	BAERING	Ø15.9xØ18x18	1
24	E150174-00	CONNCTOR,CARBURETOR		1
25	E150138-00	GASKET		1
26	E150166-00	CYLINDER HEAD & VALVE ASSY"		1

27	A090044-00	WASHER	Ø16.6XØ25.5X0.8	4
28	A190116-00	SUBHARNASS ASSY		1
29	A220049-42	UNION, HOSE		1
30	E130083-00	VALVE KEEPER		8
31	E150002-00	INTAKE VALVE		2
32	E150003-00	EXHAUST VALVE		2
33	E150008-00	RETAINER, VALVE SPRING		4
34	E150027-00	VALVE SPRING		4
35	E150181-00			1
36	A030025-01	SEAL, VALVE STEM	Ø5.5,VITON	4
37	A030041-42	CAP		2
38	A040025-01	O RING	S12X1.5,VITON	4
39	A050121-41	HEXAGONAL FLANGE BOLT	M6x1.0X25L	6
40	A050122-41	HEXAGONAL FLANGE BOLT	M6X1.0X30L	2
41	A070018-00	DOWEL PIN	Ø8x14L	2
42	A140015-00	STUD BOLT	M8X1.25X35L	2
43	E150011-01	CYLINDER HEAD COMP	GRAY,PANTONE 432U	1
44	E150015-00	GUIDE,EX. VALVE		2
45	E150031-00	GUIDE,IN. VALVE		2
46	E150050-00	SEAT,INTAKE VALAE		2
47	E150129-00	SEAT,EXHAUST VALVE	EH-8	2
48	E150151-00	COVER, CAMSHAFT		1
49	E150169-00	COOLANT TEMPERATURE		1
50	E150167-00	CARBURETOR	Ø42	1
51	A220054-41	BREATHER TUBE CONNECTOR		1
52	A050241-56	BOLT,AIR RELIE	M6x1.0	1
53	A230312-41	CARBURETOR,PLATE		1
54	A050281-00	SPECIAL HEAD SCREW		3

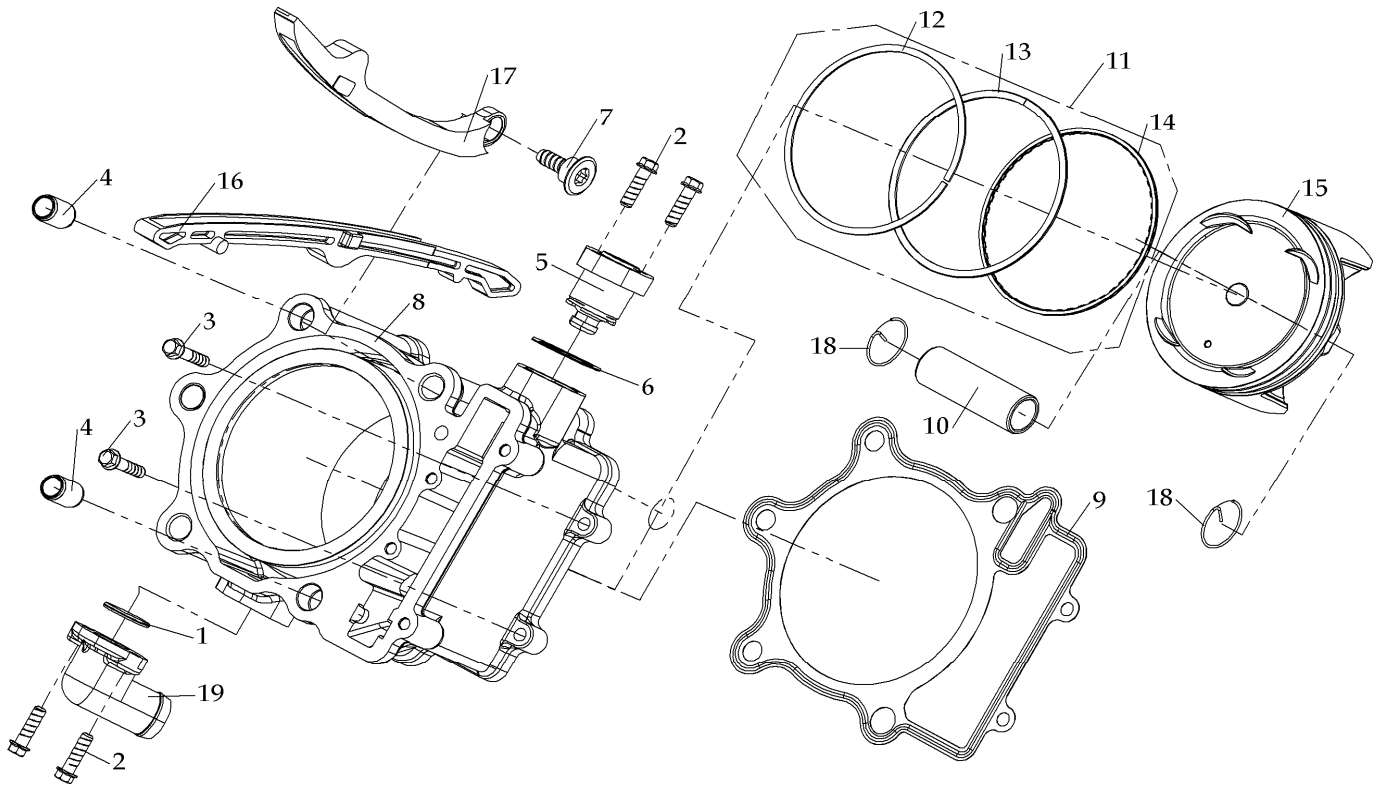
CYLINDER HEAD (E.F.I)



Item	Part no	Description	Specification	Q'ty
1	A040049-01	O RING	Ø21XØ2 (VITON)	1
2	A040039-00	O RING	P8-7.8x1.9	1
3	A050124-41	HEX WASHER FACE BOLT	M6X1.0X32L	2
4	A050126-41	HEXAGONAL FLANGE BOLT	M6x1.0X95L	2
5	A050131-41	HEXAGONAL FLANGE BOLT	M6x1.0X22L	2
6	A050137-41	HEXAGONAL FLANGE BOLT	M6X1.0X14L	2
7	A050156-41	PANHEAD SCREW & SPRING WASHER	M6x1.0x16L	1
8	A050173-43	SCREW	M4x0.7x16L	1
9	A050241-56	BOLT,AIR RELIE	M6x1.0	1
10	A050240-00	HEXAGONAL FLANGE BOLT	M10X1.25X200L-12T	2
11	A050244-00	HEXAGONAL FLANGE BOLT	M10X1.25X190L-12T	3
12	A050248-41	HEXAGONAL FLANGE BOLT	M6x1.0x60L	2
13	A080121-00	SPACER	Ø16.2XØ25X1.5t	1
14	A220047-00	ZEBRA HOSE CLAMPS	40-64x12.7	1
15	E150004-02	TAPPET		4
16	E150005-XX	SHIM TAPPET		4
17	E150010-00	PLUG,OIL		1
18	E150136-00	CAP,OIL JET		1
19	E150137-00	CLIP,OIL JET		1
20	E150012-00	CYLINDER HEAD COMP		1
21	E150119-00	THERMOSTAT,WATER	Ø48.5XØ25X82°C	1
22	E150122-00	COVER,THERMOSTAT		1
23	E150126-41	COVER		1
24	E150130-00	BODY,THROTTLE	Ø42	1
25	E150133-00	DRIVER GEAR,TIMING CHAIN		1
26	E150134-00	DRIVER GEAR,TIMING CHAIN ASSY		1

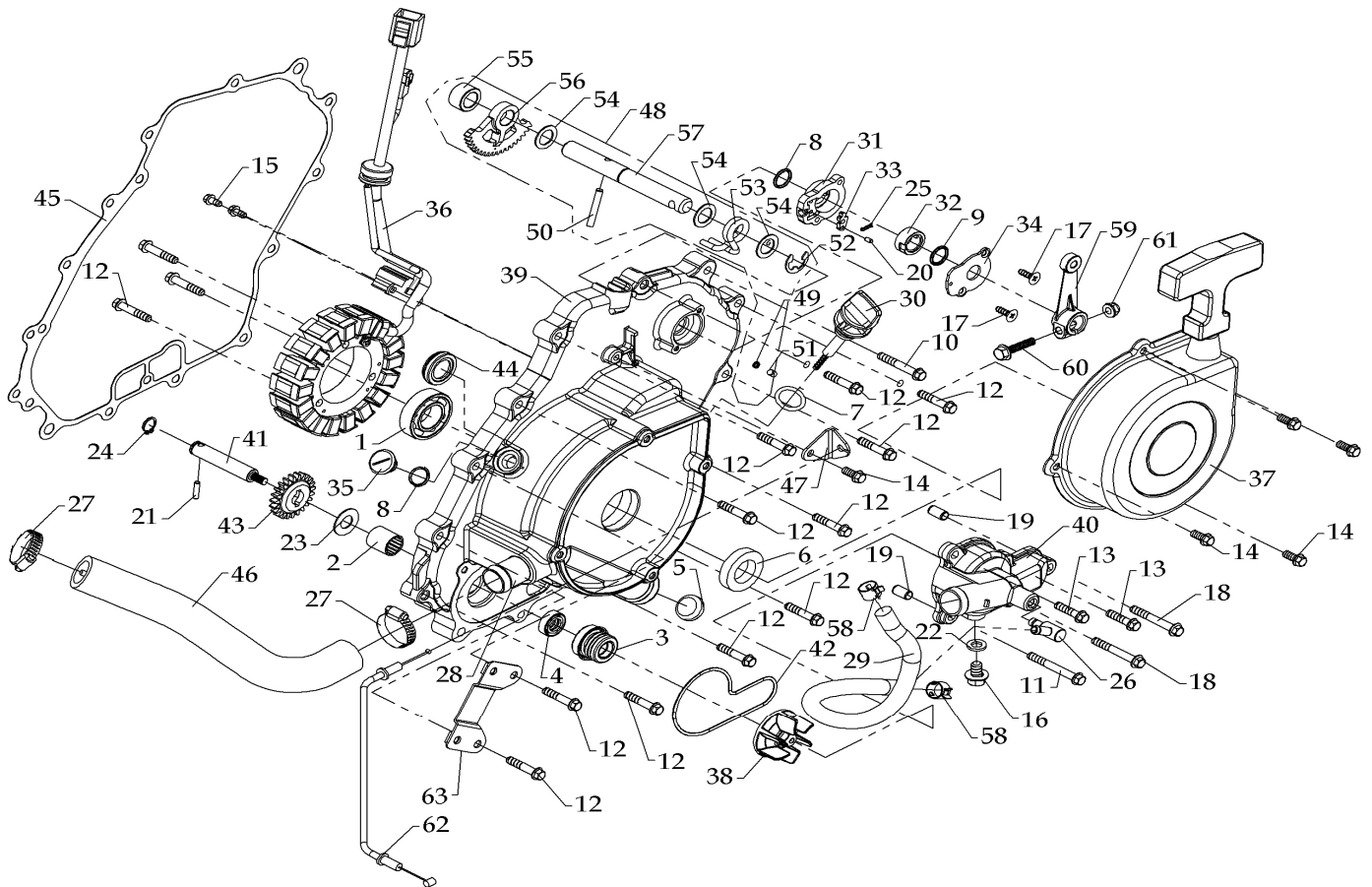
27	E150131-00	TIMING GEAR	42T	1
28	E150048-00	DRIVER GEAR,TIMING CHAIN	48T	1
29	A020013-00	BAERING	Ø15.9xØ18x18	1
30	E150135-00	CONNECTOR,THROTTLE		1
31	E150138-00	GASKET		1
32	E150141-00	T-MAP SENEER		1
33	E150166-00	CYLINDER HEAD & VALVE ASSY"		1
34	A090044-00	WASHER	Ø16.6XØ25.5X0.8	4
35	A190116-00	SUBHARNESS ASSY		1
36	A220049-42	UNION, HOSE		1
37	E130083-00	VALVE KEEPER		8
38	E150002-00	INTAKE VALVE		2
39	E150003-00	EXHAUST VALVE		2
40	E150008-00	RETAINER, VALVE SPRING		4
41	E150027-00	VALVE SPRING		4
42	E150181-00	CYLINDER HEAD ASSY"		1
43	A030025-01	SEAL, VALVE STEM	Ø5.5,VITON	4
44	A030041-42	CAP		2
45	A040025-01	O RING	S12X1.5,VITON	4
46	A050121-41	HEXAGONAL FLANGE BOLT	M6x1.0X25L	6
47	A050122-41	HEXAGONAL FLANGE BOLT	M6X1.0X30L	2
48	A070018-00	DOWEL PIN	Ø8x14L	2
49	A140015-00	STUD BOLT	M8X1.25X35L	2
50	E150011-01	CYLINDER HEAD COMP	GRAY,PANTONE 432U	1
51	E150015-00	GUIDE,EX. VALVE		2
52	E150031-00	GUIDE,IN. VALVE		2
53	E150050-00	SEAT,INTAKE VALAE		2
54	E150129-00	SEAT,EXHAUST VALVE	EH-8	2
55	E150151-00	COVER, CAMSHAFT		1
56	E150169-00	COOLANT TEMPERATURE		1

CYLINDER



Item	Part no	Description	Specification	Q'ty
1	A040049-01	O RING	Ø21XØ2 (VITON)	1
2	A050131-41	HEXAGONAL FLANGE BOLT	M6x1.0X22L	4
3	A050138-41	HEX WASHER FACE BOLT	M6X1.0X28L	2
4	A070047-00	DOWEL PIN	Ø10.5XØ14X20L	2
5	E020065-00	CAM CHAIN TENSIONER		1
6	E020066-00	GASKET, TENSIONER LIFTER		1
7	E130093-00	PIVOT,CHAIN TENSIONER		1
8	E150013-01	CYLINDER COMP	01-A CLASS	1
*	E150013-02	CYLINDER COMP	02-B CLASS	1
*	E150013-03	CYLINDER COMP	01-A CLASS,GRAY,PAN	1
*	E150013-04	CYLINDER COMP	02-B CLASS,GRAY,PAN	1
9	E150014-00	GASKET, CYLINDER		1
10	E150019-00	PISTON PIN		1
11	E150023-00	RING SET, PISTON (STD.)		1
12	E150023-01	RING, PISTON (STD.)	TOP	1
13	E150023-02	RING,PISTON (STD.)	2ND	1
14	E150023-03	OIL RING		1
15	E150022-01	PISTON (STD.)	01-A CLASS	1
*	E150022-02	PISTON (STD.)	02-B CLASS	1
16	E150029-00	GUIDE,TIMING CHAIN		1
17	E150030-00	TENSIONER,TIMING CHAIN		1
18	E150079-00	INTERNAL CIRCLIP	Ø23	2
19	E150086-01	UNION,WATER HOSE	GRAY,PANTONE 432U	1

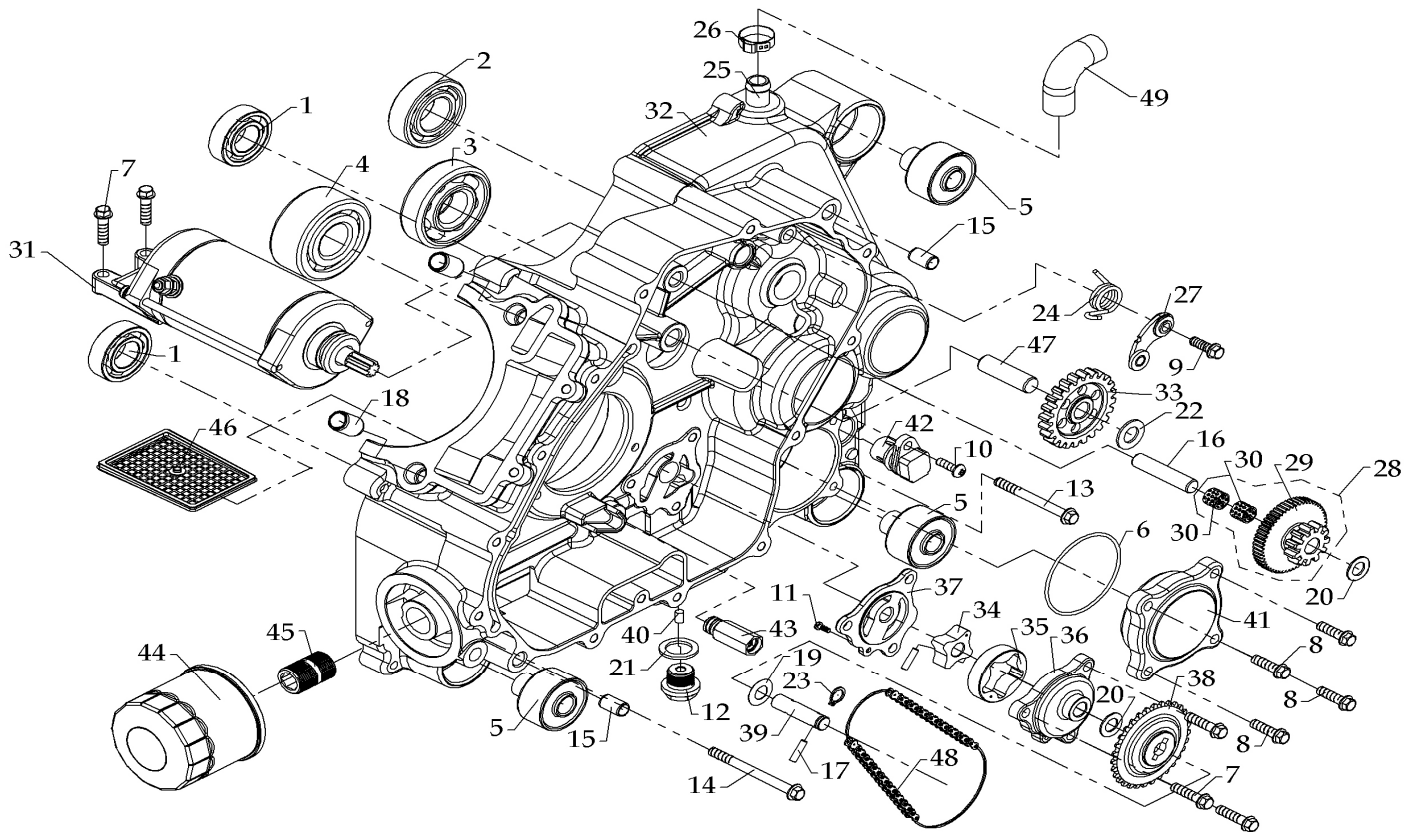
CRANKCASE



Item	Part no	Description	Specification	Q'ty
1	A010077-00	DEEP-GROOVE BALL BEARING	60/22	1
2	A010078-00	NEEDLE ROLLER BEARING	HMK1220	1
3	A030032-00	MECHANICAL SEAL COMPL	EH790	1
4	A030027-00	OIL SEAL	TC12x22x7t	1
5	A030041-42	CAP		1
6	A030046-00	OIL SEAL	TC 22x38x8	1
7	A040020-00	O RING	Ø18XØ3	1
8	A040005-00	O RING	P14	2
9	A040024-00	O RING	S14	1
10	A050069-41	HEXAGONAL FLANGE BOLT	M6X1.0X40L	1
11	A050070-41	HEXAGONAL FLANGE BOLT	M6X1.0X50L	1
12	A050122-41	HEXAGONAL FLANGE BOLT	M6X1.0X30L	14
13	A050121-41	HEXAGONAL FLANGE BOLT	M6x1.0X25L	2
14	A050137-41	HEXAGONAL FLANGE BOLT	M6X1.0X14L	5
15	A050149-41	HEXAGONAL FLANGE BOLT	M5X0.8X12L	2
16	A050169-41	HEXAGONAL FLANGE BOLT	M8x1.25x12L	1
17	A050175-41	MACHINE SCREW	M4x0.7x15L	2
18	A050249-41	HEXAGONAL FLANGE BOLT	M6x1.0x45L	2
19	A070018-00	DOWEL PIN	Ø8x14L	2
20	A070030-00	PIN	Ø3x6L	1
21	A070041-00	PIN , NEEDLE ROLLER	Ø4X15.8L	1
22	A080120-00	SPACER	Ø8.2XØ14.5X2t	1
23	A090043-00	WASHER	Ø12.2XØ25X1t	1
24	A100023-43	CIRCLIP,C TYPE	Ø12	1
25	A110032-41	SPRING,COMPRESSION	Ø3x10L	1
26	A220054-41	BREATHER TUBE CONNECTOR		1

27	A220048-00	ZEBRA HOSE CLAMPS	19-38x8.0	2
28	A220043-41	UNION,WATER HOSE		1
29	A220052-00	TUBE	Ø7.3XØ13.5X400L	1
30	E020074-00	OIL LEVEL GAUGE		1
31	E130060-00	REVERS SWITCH DEVICE		1
32	E130061-00	RATCH		1
33	E130062-00	STOPPER		1
34	E130063-00	COVER		1
35	E130104-00	TIMING SCREEN COVER		1
36	E150084A00	STATOR ASSY,MAGNETO		1
37	E150108-00	STARTER ASSY,RECOIL		1
38	E150109-00	IMPELLER		1
39	E150110-01	COVER, L.	GRAY,PANTONE 432U	1
40	E150111-01	COVER,VANE PUMP	GRAY,PANTONE 432U	1
41	E150113-00	SHAFT,VANE PUMP		1
42	E150114-00	SEAL,VANE PUMP		1
43	E150115-00	GEAR,VANE PUMP		1
44	E150120-00	GAUGE,LEVEL	Ø30X12.8	1
45	E150124-00	GASKET, L. COVER		1
46	E150128-00	PIPE,COOLING		1
47	E150154-00	HOLDER,WIRE		1
48	E150156A00	GEARSHTFT SHAFT ASSY.		1
49	A040032-00	O RING	S3□	1
50	A070026-00	PIN	Ø5X35L	1
51	A070036-00	PIN	Ø5X6.67L	1
52	A100020-00	RETAINING RINGS E TYPE	Ø12	1
53	A110065-00	TORSION SPRING		1
54	A080005-41	SPACER	Ø14.2xØ22x1t	3
55	A090038-00	SPACER	Ø14XØ22X12.5L	1
56	E150100A00	GEAR, GEARSHIFT		1
57	E150155A00	SHAFT, GEARSHIFT		1
58	F020196-00	CLAMP	12X0.8	2
59	E150162-00	LEVER , GEAR SHIFT		1
60	A050274-41	HEX WASHER FACE BOLT	M6X1.0X30L	1
61	A060053-41	HEX INSERT LOCK NUT	M6x1.0	1
62	F210062-00	REVERSE SWITCH CABLE		1
63	E150193-50	BRACKET		1

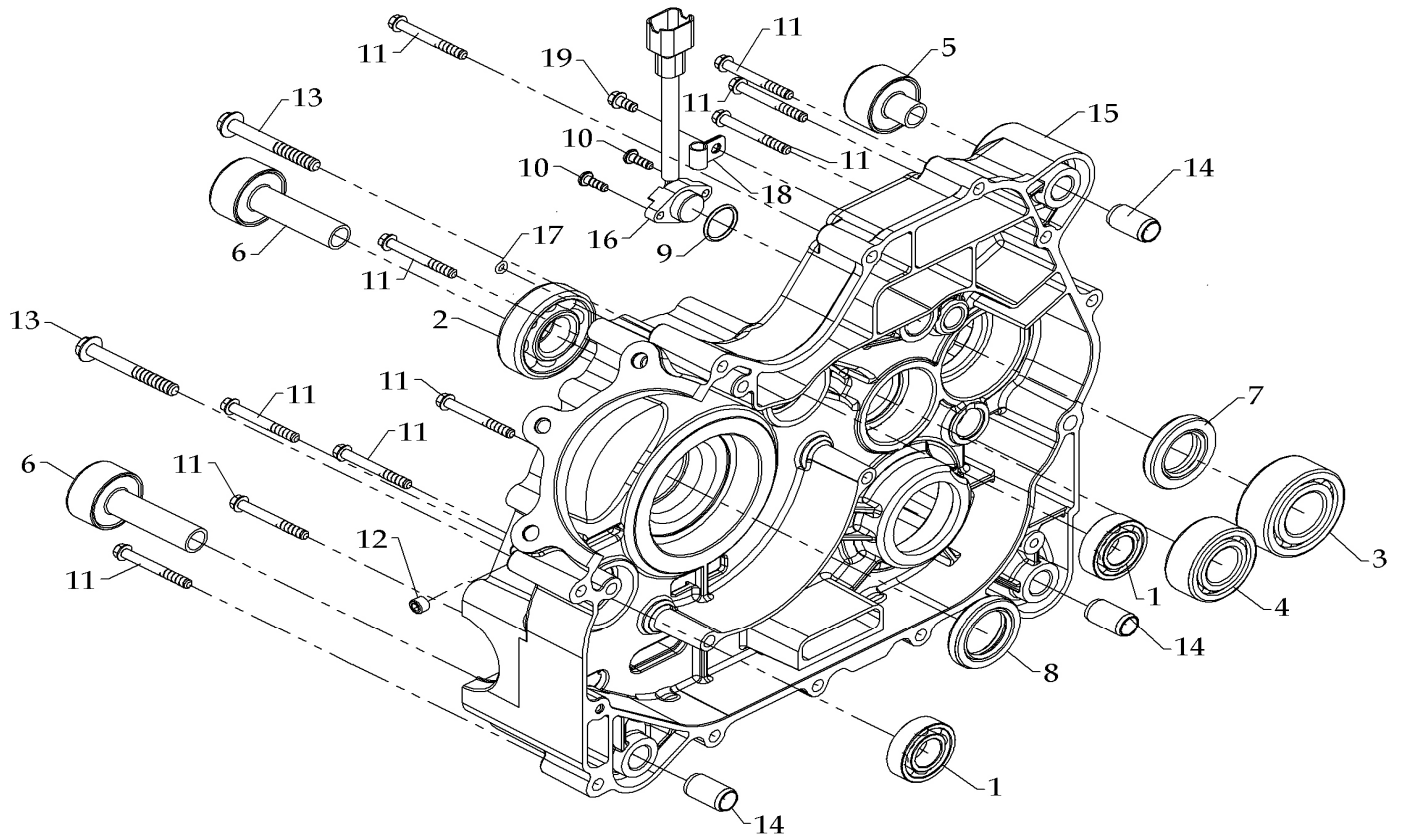
CRANKCASE L.



Item	Part no	Description	Specification	Q'ty
1	A010025-00	DEEP-GROOVE BALL BEARING	6004	2
2	A010045-00	DEEP-GROOVE BALL BEARING	6205	1
3	A010065-03	DEEP-GROOVE BALL BEARING	6305LU	1
4	A010071-00	BALL BEARING	5305;Ø25XØ62X25.4t	1
5	A020012-00	BUSH,ENG MTG		3
6	A040047-00	O RING	Ø59X2.0	1
7	A050121-41	HEXAGONAL FLANGE BOLT	M6x1.0X25L	5
8	A050131-41	HEXAGONAL FLANGE BOLT	M6x1.0X22L	4
9	A050132-41	HEXAGONAL FLANGE BOLT	M6x1.0X18L	1
10	A050156-41	PANHEAD SCREW & SPRING WASHER	M6x1.0x16L	1
11	A050207-41	SCREW	M3x0.5x8L	1
12	A050243-41	BOLT,DRAIN	M16X1.5X13L-6T	1
13	A050248-41	HEXAGONAL FLANGE BOLT	M6x1.0x60L	1
14	A050250-41	HEXAGONAL FLANGE BOLT	M6x1.0x70L	1
15	A070019-00	DOWEL PIN	Ø10X16L	2
16	E150026-00	PIN,STARTER IDEL GEAR		1
17	A070041-00	PIN , NEEDLE ROLLER	Ø4X15.8L	2
18	A070047-00	DOWEL PIN	Ø10.5xØ14x20L	2
19	A080099-00	SPRING WASHER	Ø10.2XØ20X0.3t	1
20	A080114-00	SPACER	Ø10.2XØ18X1.0t	2
21	A080115-00	WASHER,DRAIN	Ø16.2XØ23.5X2.0t	1
22	A090042-00	WASHER	Ø12.2XØ22X1.5t	1
23	A100015-43	CIRCLIP,C TYPE	Ø10	1
24	A110063-00	TORSION SPRING		1
25	A220044-41	UNION, HOSE		1
26	A220045-41	CLAMP	18~20.8X7	1
27	E030001-00	STOPPER,SHIFT CAM		1
28	E130059-00	STARTER REDUCTION ASSY.		1

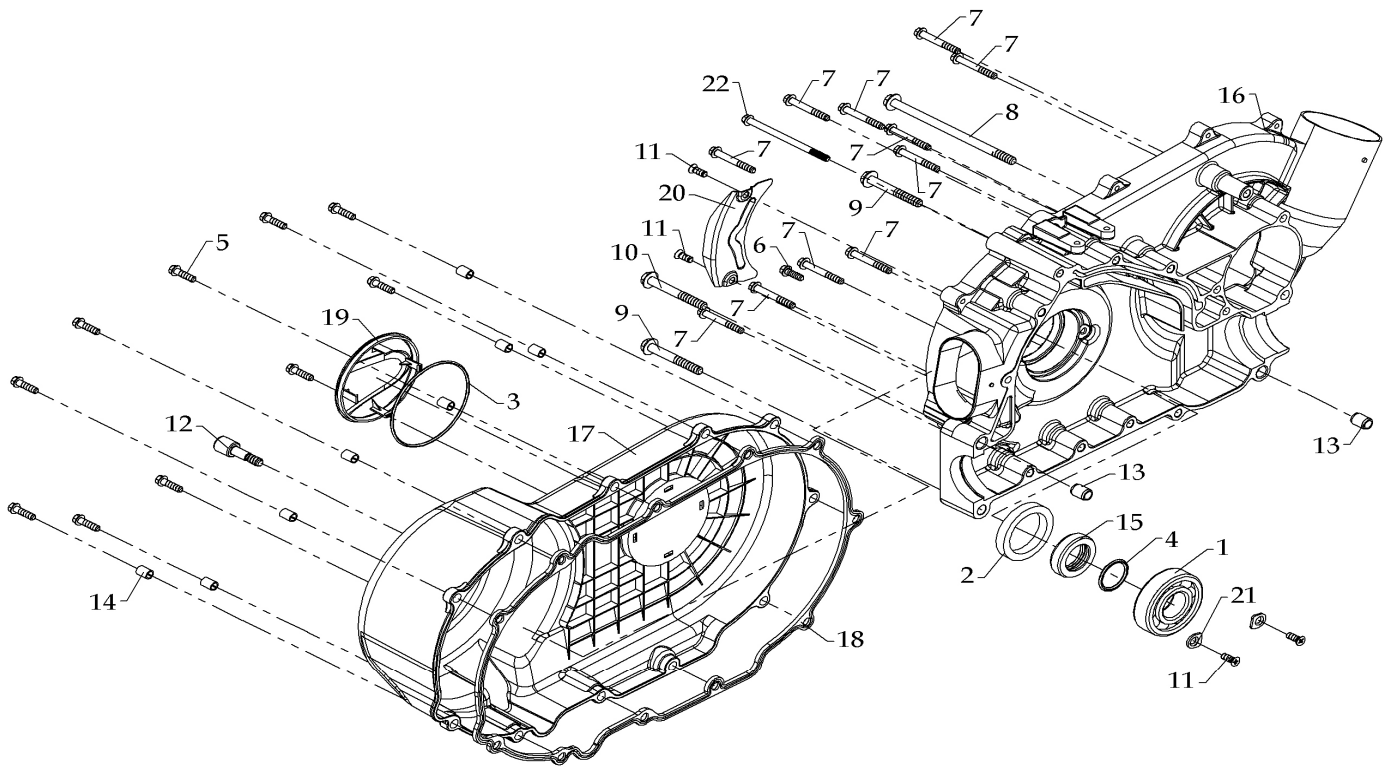
29	E130045-00	GEAR, STARTER REDUCTION		1
30	A020004-00	BUSH,BAERING	Ø10xØ12x10t	2
31	E150006-00	STARTER MOTOR ASSY.		1
32	E150016A01	CRANKCASE L.	GRAY,PANTONE 432U	1
33	E150025-00	GEAR,STARTER IDEL		1
34	E150089-00	INTERNAL ROTOR,OIL PUMP		1
35	E150090-00	EXTERNAT ROTOR,OIL PUMP		1
36	E150091-00	BUDY,OIL PUMP		1
37	E150093-00	COVER,OIL PUMP		1
38	E150094A00	SPROCKET,OIL PUMP DRIVEN		1
39	E150095-00	SHAFT,OIL PUMP		1
40	E150097-00	MAGNET	Ø5X8.5L	1
41	E150112-00	COVER,OUTPUT SHAFT		1
42	E150117-00	SENSOR,SPEED		1
43	E150118-00	VALVE,RELIEF	5KGXM12X1.25	1
44	E150121-00	FILTER,ENGINE OIL	Ø72XM20X1.5	1
45	E150127-44	UNION,WATER HOSE	M20X30.5L	1
46	E150146-00	STRAINER,ENGINE OIL		1
47	E150153-00	SHAFT,STARTER IDEL		1
48	E150165-00	CHAIN	60 LINKS	1
49	F210047-00	TUBE		1

CRANKCASE R.



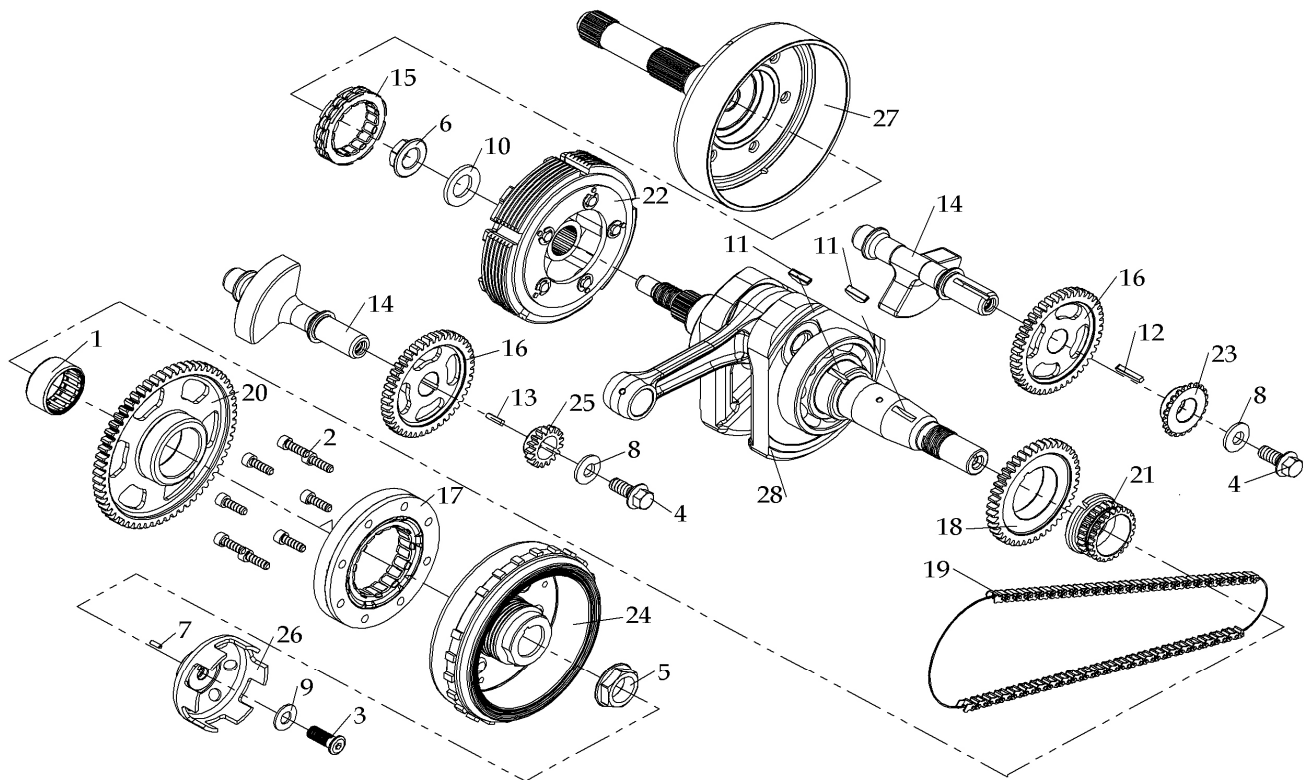
Item	Part no	Description	Specification	Q'ty
1	A010025-00	DEEP-GROOVE BALL BEARING	6004	2
2	A010038-00	DEEP-GROOVE BALL BEARING	6305	1
3	A010072-00	BALL BEARING	5206;Ø30XØ62X23.8t	1
4	A010070-03	BALL BEARING	5205LU	1
5	A020012-00	BUSH,ENG MTG		1
6	A020015-00	BUSH,ENG MTG		2
7	A030042-00	OIL SEAL	TB 30X50X8	1
8	A030043-00	OIL SEAL	TB 35X50X8	1
9	A040012-00	O RING	P21(Ø21xØ2.4)	1
10	A050035-41	SCREW	M5X1.0X14L	2
11	A050070-41	HEXAGONAL FLANGE BOLT	M6X1.0X50L	10
12	A050238-43	SCREW HEXAGONAL SOCKET	PT1/8	1
13	A050253-41	HEXAGONAL FLANGE BOLT	M8X1.25X65L	2
14	A070046-00	DOWEL PIN	Ø12.5xØ16x28L	3
15	E150017A01	CRANKCASE R.	GRAY,PANTONE 432U	1
16	E150107-00	INDICATOR,GEAR SHIFT		1
17	A040051-01	O RING	P5-Ø4.8XØ1.9	1
18	F150134-00	FIXED PLATE		1
19	A050129-41	HEXAGONAL FLANGE BOLT	M6X1.0X12L	1

RIGHT CRANKCASE COVER



Item	Part no	Description	Specification	Q'ty
01	A010068-00	DEEP-GROOVE BALL BEARING	63/28;Ø28XØ68X18t	1
02	A030050-00	OIL SEAL	TC45x60x9	1
03	A040046-00	O RING	Ø89.5xØ2.5	1
04	A040048-00	O RING	P28(Ø27.7XØ3.5)	1
05	A050131-41	HEXAGONAL FLANGE BOLT	M6x1.0X22L	10
06	A050132-41	HEXAGONAL FLANGE BOLT	M6x1.0X18L	1
07	A050249-41	HEXAGONAL FLANGE BOLT	M6x1.0x45L	11
08	A050251-41	HEXAGONAL FLANGE BOLT	M8x1.25x145L	1
09	A050252-41	HEXAGONAL FLANGE BOLT	M8x1.25x60L	2
10	A050253-41	HEXAGONAL FLANGE BOLT	M8x1.25x65L	1
11	A050255-41	HEXAGONAL FLANGE BOLT	M6x15L	4
12	A050257-42	BOLT,DRAIN	M8x1.25x13L	1
13	A070008-00	DOWEL PIN	Ø12x16l	2
14	A090036-41	BUSHING		10
15	E150072-00	SPACER		1
16	E150080A01	R.COVER,CRANKCASE	GRAY,PANTONE 432U	1
17	E150087-00	COVER, C.V.T.		1
18	E150088-00	SEAL,COVER C.V.T		1
19	E150092-00	PLATE,LOGO		1
20	E150145-00	PLATE		1
21	E150160-00	RETAINER,BEARING		2
22	A050126-41	HEXAGONAL FLANGE BOLT	M6x1.0X95L	1

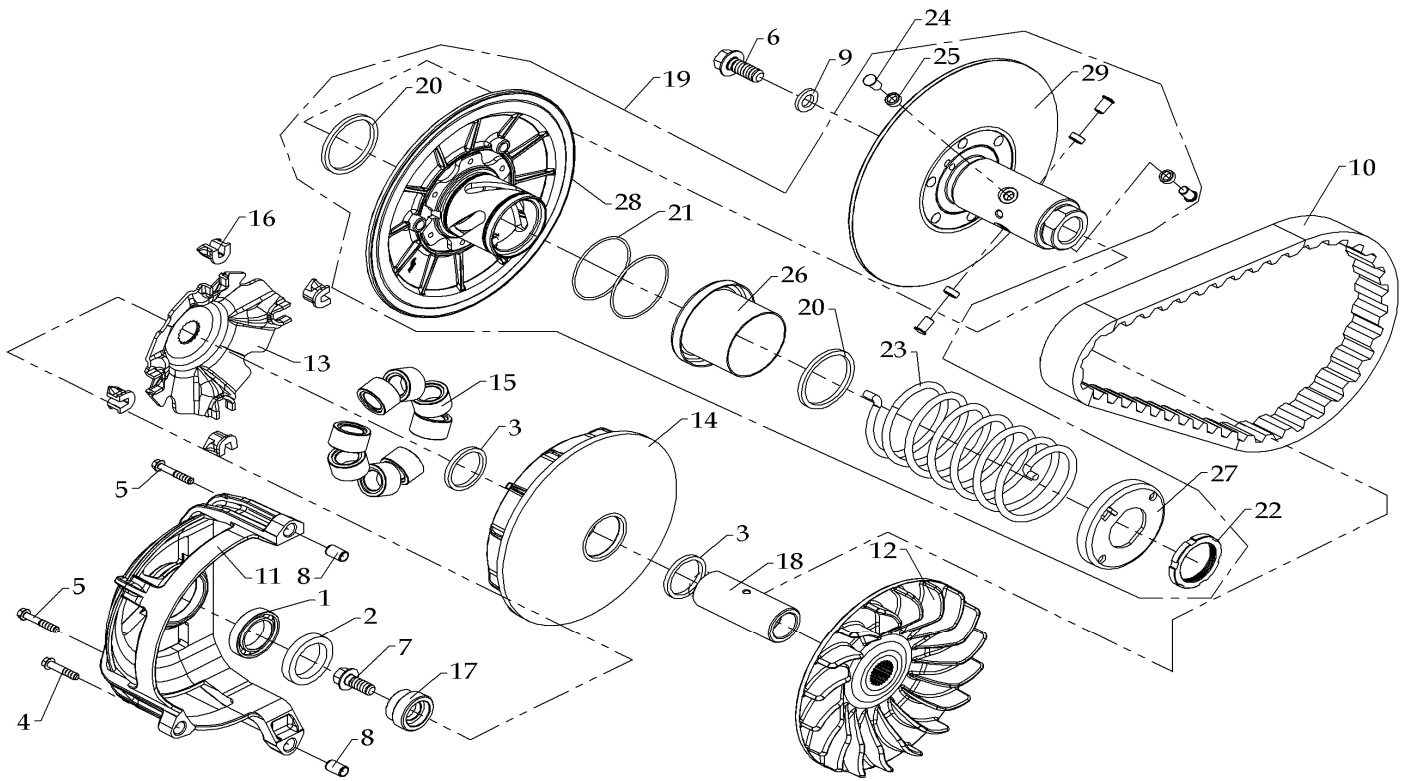
CRANKSHAFT



Item	Part no	Description	Specification	Q'ty
01	A010076-00	NEEDLE ROLLER BEARING	HK3520	1
02	A050053-41	HEX SOCKET BOLT	M6X1.0X20L	8
03	A050203A41	HEX SOCKET BOLT	M10X1.25X26L	1
04	A050246-41	HEXAGONAL FLANGE BOLT	M10x1.25x25L	2
05	A060071-41	FLANGE HEAX NUT	M24X1.5	1
06	A060077-41	FLANGE HEAX NUT	M18X1.5-LH	1
07	A070043-00	PIN , NEEDLE ROLLER	Ø3X9.8L	1
08	A080029-00	WASHER,CONICAL SPRING	Ø24xØ10.5	2
09	A080033-41	SPACER	Ø10.4xØ22x1.6	1
10	A080112-00	SPRING WASHER	Ø19XØ34X3t	1
11	A120005-00	KEY WOODRUFF	Ø22X5t	2
12	A120008-00	KEY	4X4X25	1
13	A120009-00	KEY	4X4X15	1
14	E150001-00	SHAFT,BALANCE		2
15	E150020-00	ONE WAY CLUTCH	45,848	1
16	E150021-00	GEAR,BALANCE		2
17	E150024-00	ONE WAY CLUTCH ASSY.		1
18	E150032-00	DRIVE GEAR,BALANCE SHAFT		1
19	E150037-00	CHAIN, TIMING	128 LINKS	1
20	E150046-00	GEAR,STARTER		1
21	E150047-00	DRIVER GEAR,TIMING CHAIN	24T	1
22	E150051-00	CLUTCH ASSY,SHOE		1
23	E150075-00	DRIVE SPROCKET OIL PUMP		1
24	E150083A00	ROTOR ASSY,MAGNETO	EFT	1
25	E150116-00	DRIVE GEAR,VANE PUMP		1
26	E150140-42	CUP,STARTER		1

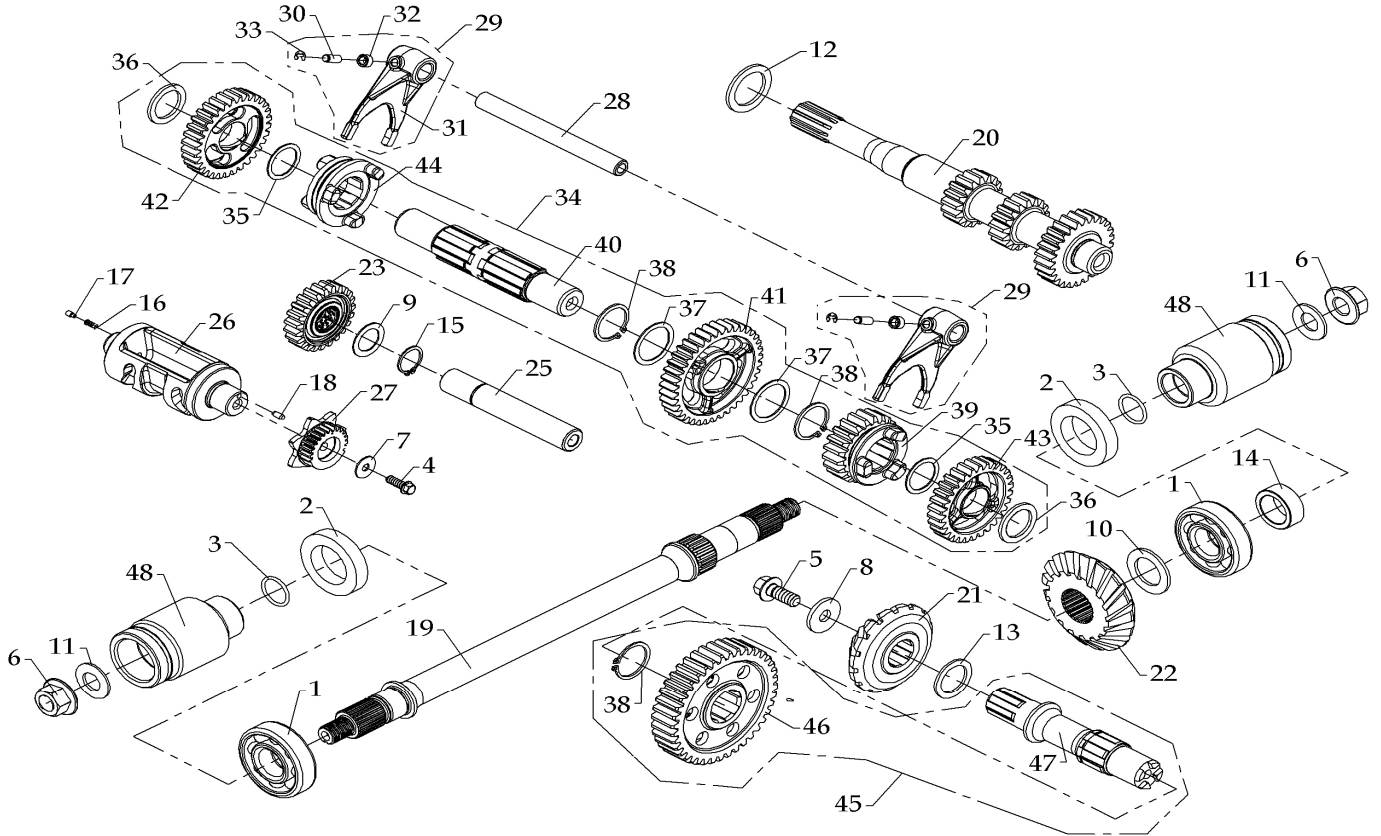
27	E150066-00	HOUSING,CLUTCH		1
28	E150076A00	CRANKSHAFT ASSY		1
29	A010073-00	NEEDLE ROLLER BEARING	Ø41XØ51X24.8t	1
30	A010067-03	DEEP-GROOVE BALL BEARING	6209LU	1
31	A010067-00	DEEP-GROOVE BALL BEARING	6209	1
32	A030040-42	CAP		1
33	A080113-00	SPACER	Ø41.2XØ61X1.0t	2
34	E150069A00	CRANKSHAFT, LEFT		1
35	E150070A00	CRANKSHAFT,RIGHT		1
36	E150073-00	PIN,CRANKSHAFT		1
37	E150074-00	CONNROD		1

C.V.T.



Item	Part no	Description	Specification	Q'ty
01	A010074-04	DEEP-GROOVE BALL BEARING	6906LLU;Ø30XØ47X9t	1
02	A030044-00	OIL SEAL	TC35X48X8	1
03	A030048-01	OIL SEAL	VBY Ø35XØ42X4	2
04	A050122-41	HEXAGONAL FLANGE BOLT	M6X1.0X30L	1
05	A050139-41	HEXAGONAL FLANGE BOLT	M6x1.0x35L	2
06	A050247-41	HEXAGONAL FLANGE BOLT	M12x1.25x30L	1
07	A050246-41	HEXAGONAL FLANGE BOLT	M10x1.25x25L	1
08	A070019-00	DOWEL PIN	Ø10X16L	2
09	A080060-41	SPACER	Ø12.5xØ30x3t	1
10	A170017-00	BELT,C.V.T		1
11	E150018-00	HOUSING,CVT BEARING		1
12	E150054-00	FACE, FIXED DRIVE		1
13	E150055-00	PLATE,MOVABLE DRIVE		1
14	E150067-00	FACE,MOVABLE DRIVE		1
15	E150077-00	ROLLER SET, WEIGHT		8
16	E150078-00	SLIDE PIECE		4
17	E150081-00	BUSHING		1
18	E150152-00	SPACER,MOVABLE DRIVE		1
19	E150158-00	GEARSHTFT SHAFT ASSY.		1
20	A030049-01	OIL SEAL	Ø50XØ58X4	2
21	A040047-00	O-RING	Ø59X2.0	2
22	A060073-42	NUT		1
23	A110055A00	SPRING,COMPRESSION		1
24	E150060-00	PIN		4
25	E150061-00	RING		4
26	E150062-42	SHEET,MOVABLE DRIVEN		1
27	E150063-42	HOLDER,MOVABLE DRIVEN		1
28	E150059-00	FACE,MOVABLE DRIVEN		1
29	E150157-00	FACE,FIXED DRIVEN		1

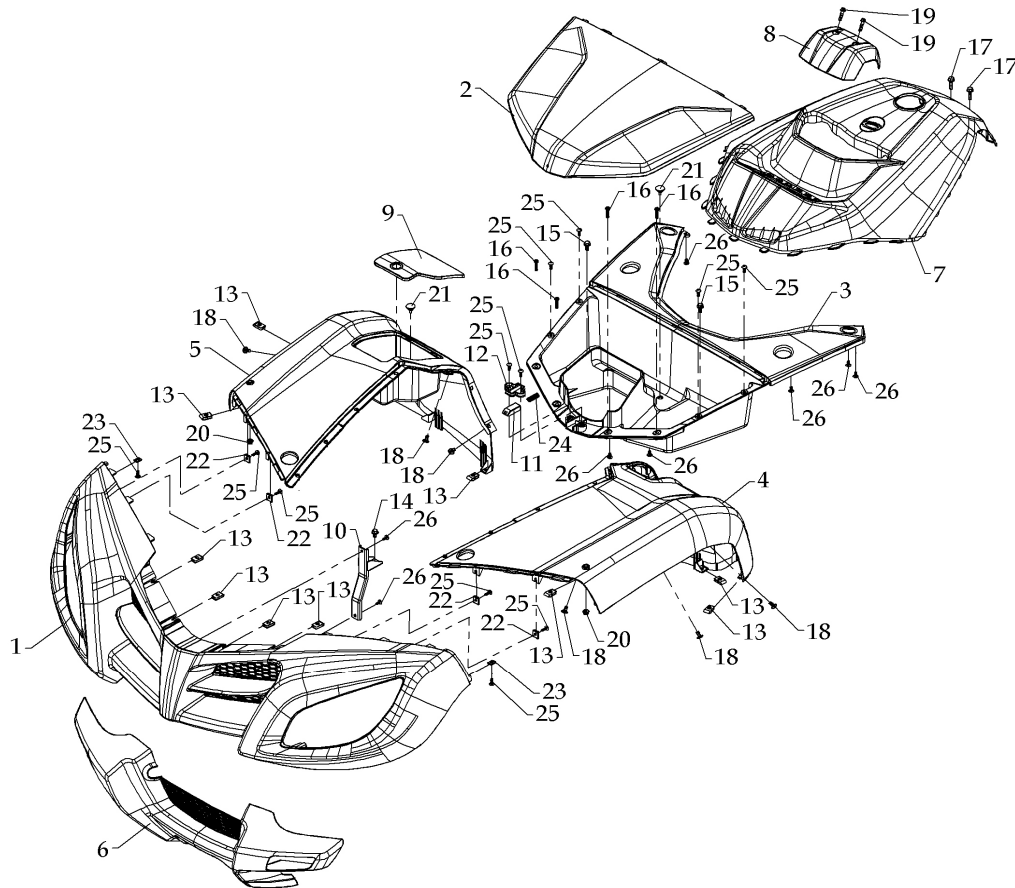
TRANSMISSION



Item	Part no	Description	Specification	Q'ty
01	A010065-03	DEEP-GROOVE BALL BEARING	6305LU	2
02	A030045-00	OIL SEAL	TC 55×35×11	2
03	A040040-00	O RING	P22(Ø2.4xØ21.8)	2
04	A050132-41	HEXAGONAL FLANGE BOLT	M6x1.0X18L	1
05	A050246-41	HEX WASHER FACE BOLT	M10x1.25x25L	1
06	A060076-00	FLANGE HEAX NUT	M16X1.5	2
07	A080026-41	SPACER	Ø19XØ6.5X1.2t	1
08	A080056-41	PLAIN WASHER	10.5X30X3t	1
09	A080116-00	SPACER	Ø20.2XØ30X1.0t	1
10	A080117-00	SPACER	Ø25.2XØ40X2.5t	1
11	A080123-00	SPRING WASHER		2
12	A090035-00	SPACER	Ø30.2XØ42X2.5t	1
13	A090040-00	SPACER	Ø25.2XØ35X2t	1
14	A090047-00	SPACER	Ø25.2XØ35X13.5L	1
15	A100010-00	CIRCLIP,C TYPE	Ø20	1
16	A110002-00	SPRING	0.35x4x8.5x10	1
17	E060023-00	SWITCH,indicator		1
18	E060024-00	DOWEL PIN	Ø4X9L	1
19	E150036A00	SHAFT,OUTPUT		1
20	E150039-00	MAIN SHAFT,INPUT		1
21	E150041-00	BEVEL GEAR, DRIVE		1
22	E150042-00	BEVEL GEAR,OUTPUT		1
23	E150044-01	SEMINAL		2
24	A020003-00	BUSH,BAERING	Ø20xØ23x12t	1
25	E150098-00	SHAFT,REVERSE		1
26	E150189A00	CAM DRUM,GERE SHIFT		1

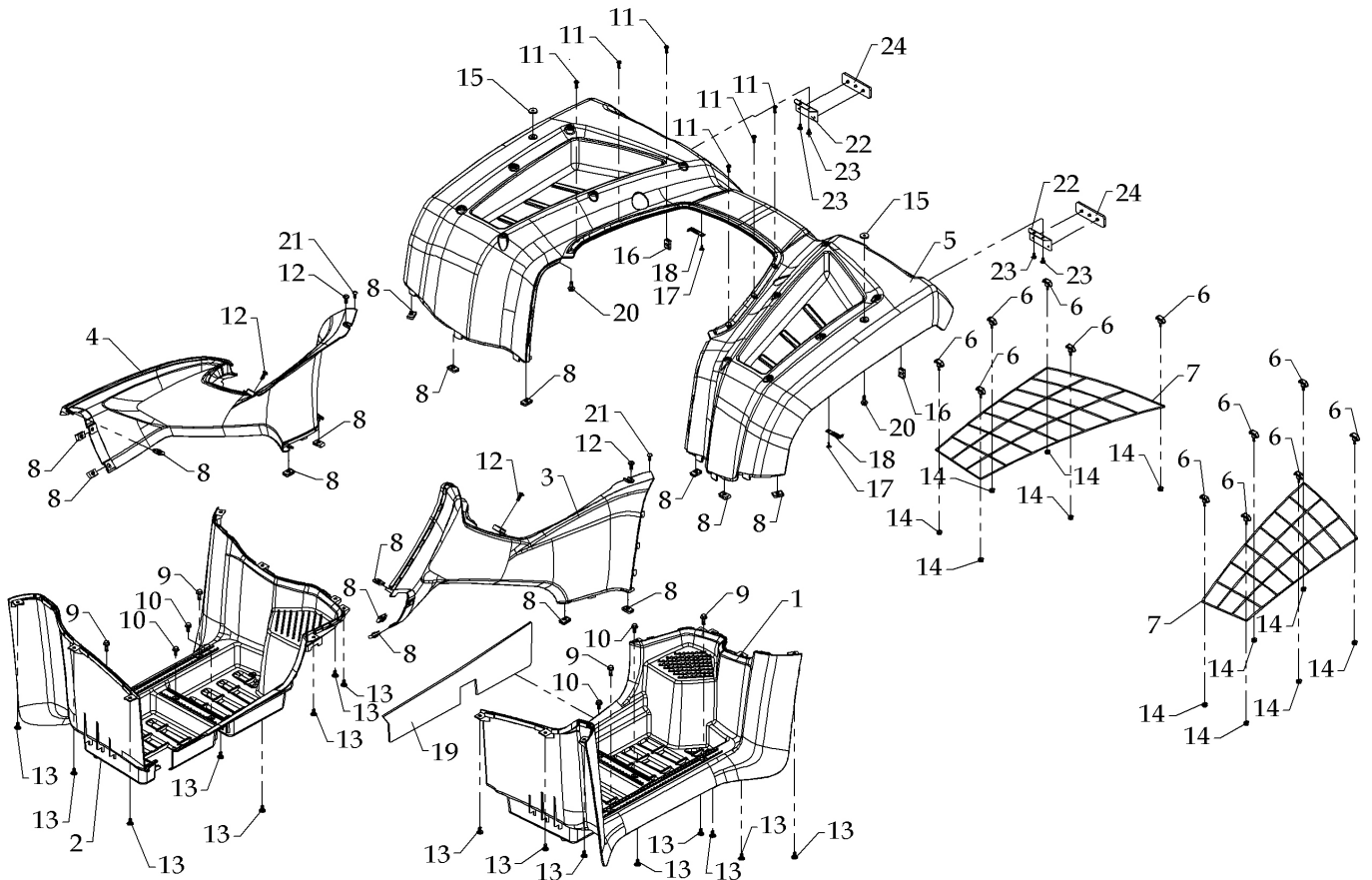
27	E150101A00	STOPER, GEAR SHIFT		1
28	E150103-00	SHAFT,FORK		1
29	E150106-01	FORK		1
30	E150105-00	PIN,FORK		2
31	E150106-01	FORK	SEMINAL	2
32	E150104-00	RING,FORK		2
33	A100024-43	RETAINING RINGS E TYPE	Ø4x0.6t	2
34	E150175A00	COUNTERSHAFT ASSY'		1
35	A090034-00	SPACER	Ø25.2XØ32X1.0t	2
36	A090039-00	SPACER	Ø25.2XØ35X2.5t	2
37	A090041-00	SPACER	Ø30.2XØ38X1t	2
38	A100021-43	CIRCLIP,C TYPE	Ø30	3
39	E150033A00	GEAR,COUNTER OUTPUT		1
40	E150038-00	COUNTER SHAFT		1
41	E150040A00	DRIVEN GEAR,LOW		1
42	E150043A00	DRIVEN GEAR,REVERSE		1
43	E150045A00	GEAR,SUB T/M DRIVEN HIGH		1
44	E150052A00	CLUTCH,GEAR		1
45	E150182-00	FINAL SHAFT,T/M ASSY.		1
46	E150034-00	FINAL GEAR,T/M		1
47	E150035-00	FINAL SHAFT,T/M		1
48	E150180A00	OUTPUT CONNECTOR		2

FRONT FENDER



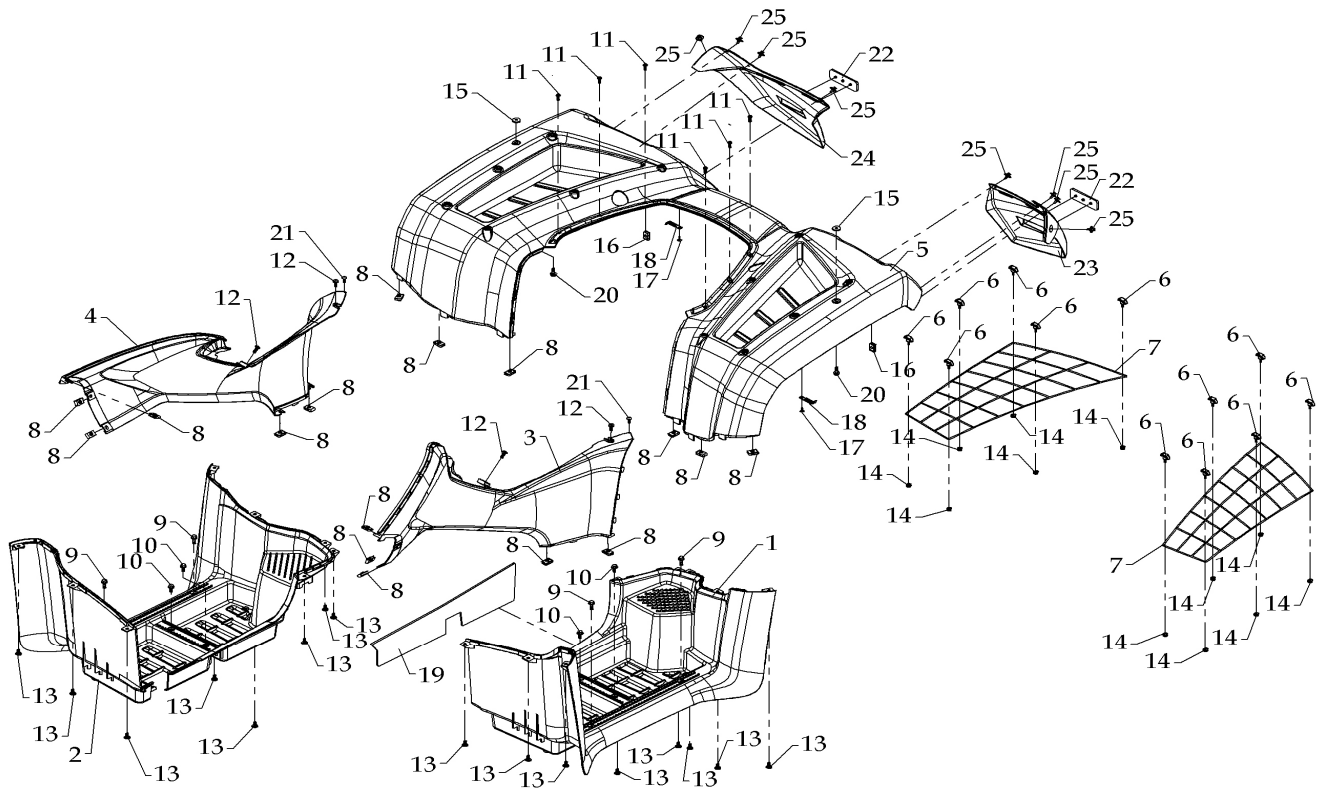
Item	Part no	Description	Specification	Q'ty
01	F210001-15	HEADLIGHT SHADE		1
02	F210002-26	DECORATION, FRONT FENDER		1
03	F210003-26	MAINTENANCE COMPARTMENT		1
04	F210004-98	FRONT FENDER	LEFT SIDE	1
05	F210005-98	FRONT FENDER	RIGHT SIDE	1
06	F210006-15	UNDER COVER,FRONT FENDER		1
07	F210007-26	DECORATION,FUEL TANK		1
08	F210016-98	HANDLEAR HOLDER COVER		1
09	F210017-98	GLOVE COMPARTMENT COVER		1
10	F210052-48	FRONT LIGHT COVER		1
11	F210138-98	HOOK		1
12	F210139-98	HOOK,COVER		1
13	F020195-43	CLIP NUT	M6×1.0	10
14	A050017-41	HEX WASHER FACE BOLT	M6×1.0×12L	1
15	A050024-41	HEX WASHER FACE BOLT	M6×1.0×16L	2
16	A050042-41	SCREW	M6×1.0×25L	4
17	A050077-43	HEX WASHER FACE BOLT	M6×1.0×25L	2
18	A050091-41	MACHINE SCREW	M6×1.0×12L	6
19	A050121-41	HEXAGONAL FLANGE BOLT	M6×1.0×25L	2
20	A060053-41	HEX INSERT LOCK NUT	M6×1.0	2
21	A090050-00	PLUG		2
22	A100027-43	FIXED PLATE		4
23	A100038-43	FIXED PLATE		2
24	A110062-00	SPRING		1
25	A130005-43	TAPPING SCREW	5mm×16	12
26	A130018-43	TAPPING SCREW	5mm×12L	8

REAR FENDER



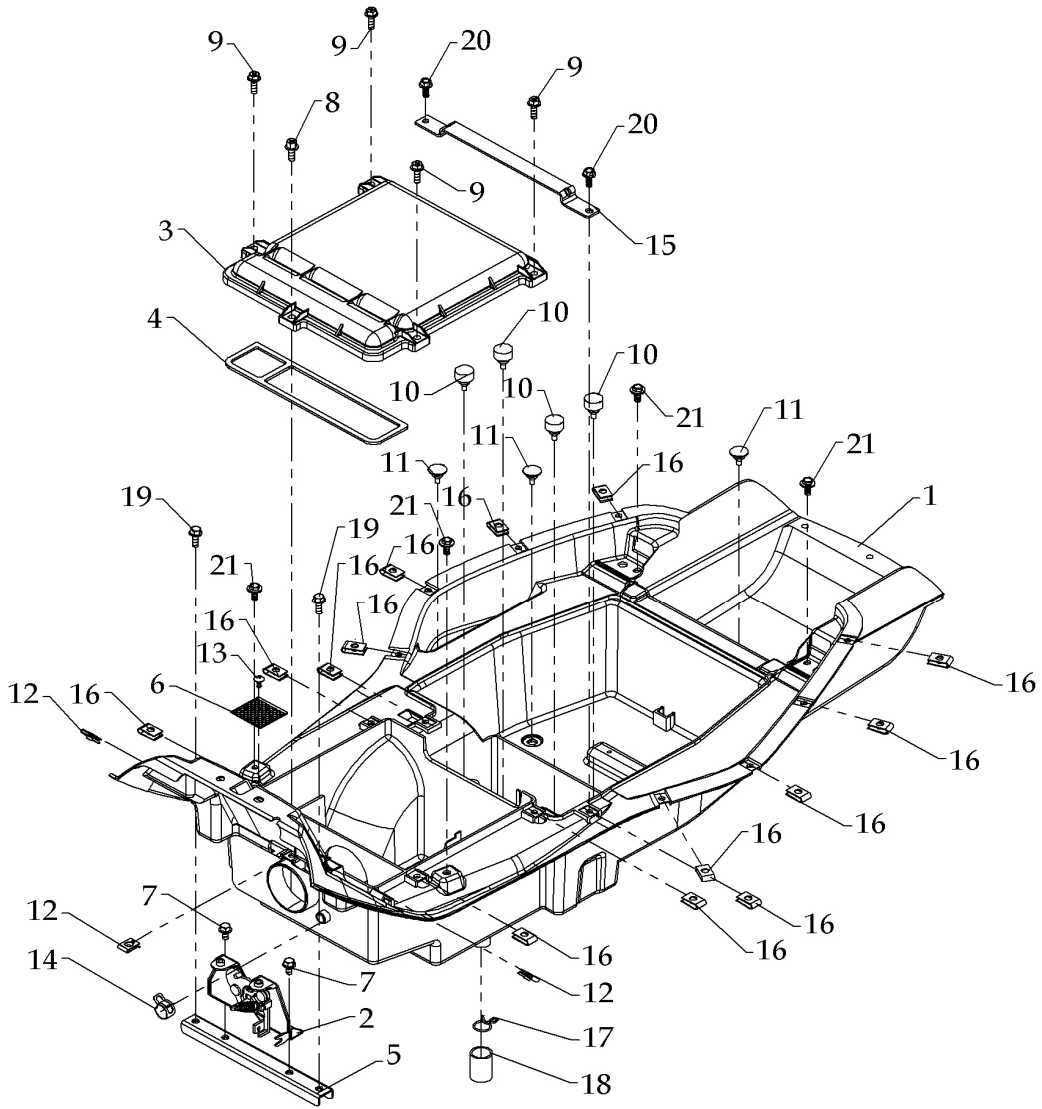
Item	Part no	Description	Specification	Q'ty
01	F210008-15	LEFT FOOT BOARD		1
02	F210009-15	RIGHT FOOT BOARD		1
03	F210010-25	DECORATION,BODY	LEFT SIDE	1
04	F210011-25	DECORATION,BODY	RIGHT SIDE	1
05	F210019A98	REAR FENDER		1
06	F210043-00	CLIP		12
07	F210134-00	CARGO NETS		1
08	F020195-43	CLIP NUT	M6×1.0	16
09	A050016-41	HEX WASHER FACE BOLT	M6×1.0×20L	4
10	A050024-41	HEX WASHER FACE BOLT	M6×1.0×16L	4
11	A050032-41	SCREW	M6×1.0×16L	6
12	A050059-44	PAN HEAD BOLT	M6×1.0×16L	4
13	A050091-41	MACHINE SCREW	M6×1.0×12L	16
14	A060078-00	NET		12
15	A080102-00	RUBBER WASHER	Ø6×Ø19×3t	2
16	A100036-42	CLIP NUT	M4	2
17	A130024-43	TAPPING SCREW	4×12L	2
18	A220021-00	CLIP		2
19	F210121-00	HEAT INSULATION PAD		1
20	A050272-41	HEX WASHER FACE BOLT	M6X1.0X18L	2
21	A130005-43	TAPPING SCREW	5mm×16	2
22	F210161-50	BRACKET, REFLECTER		2
23	A130018-43	TAPPING SCREW	5mm×12L	4
24	F020265-00	REFLECTER	RED	2

REAR FENDER(JP, MTI)



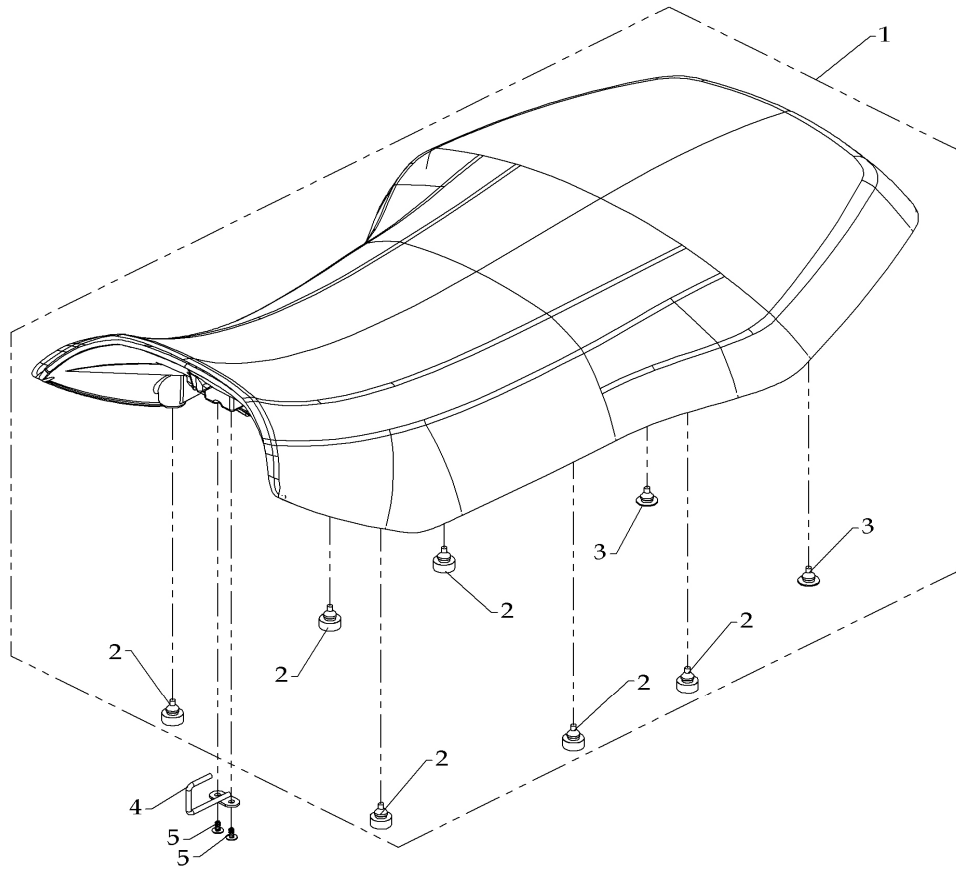
Item	Part no	Description	Specification	Q'ty
01	F210008-15	LEFT FOOT BOARD		1
02	F210009-15	RIGHT FOOT BOARD		1
03	F210010-25	DECORATION,BODY	LEFT SIDE	1
04	F210011-25	DECORATION,BODY	RIGHT SIDE	1
05	F210019A98	REAR FENDER		1
06	F210043-00	CLIP		12
07	F210134-00	CARGO NETS		1
08	F020195-43	CLIP NUT	M6×1.0	16
09	A050016-41	HEX WASHER FACE BOLT	M6×1.0×20L	4
10	A050024-41	HEX WASHER FACE BOLT	M6×1.0×16L	4
11	A050032-41	SCREW	M6×1.0×16L	6
12	A050059-44	PAN HEAD BOLT	M6×1.0×16L	4
13	A050091-41	MACHINE SCREW	M6×1.0×12L	16
14	A060078-00	NET		12
15	A080102-00	RUBBER WASHER	Ø6×Ø19×3t	2
16	A100036-42	CLIP NUT	M4	2
17	A130024-43	TAPPING SCREW	4×12L	2
18	A220021-00	CLIP		2
19	F210121-00	HEAT INSULATION PAD		1
20	A050272-41	HEX WASHER FACE BOLT	M6X1.0X18L	2
21	A130005-43	TAPPING SCREW	5mm×16	2
22	F020265-00	REFLECTER	RED	2
23	F210014-15	LEFT REAR FENDER	BLOCK	1
24	F210015-15	REAR FENDER	BLOCK	1
25	A050283-00	SPECIAL SCREW	Ø6	8

LUGGAGE COMPARTMENT



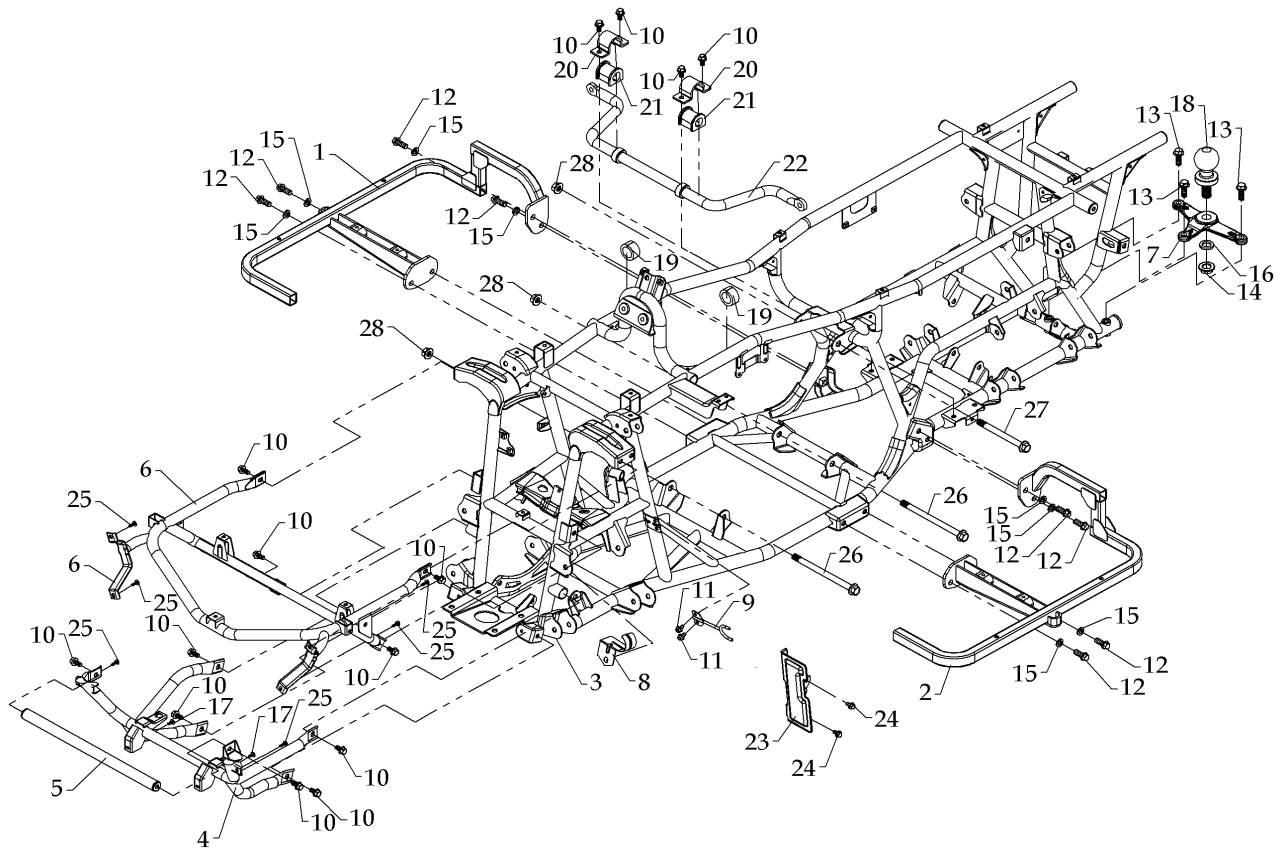
Item	Part no	Description	Specification	Q'ty
01	F210013A12	LUGGAGE COMPARTMENT		1
02	F210024-42	BRACKET, SEAT HOOK		1
03	F210025-15	AIR CLEANER COVER		1
04	F210026-00	GASKET		1
05	F210042-50	BRACKET,SEAT HOOK		1
06	F210133-00	SCREEN		1
07	A050017-41	HEX WASHER FACE BOLT	M6×1.0×12L	2
08	A050279-41	HEXAGONAL FLANGE CROSS BOLT	M6×1.0×18L	1
09	A050280-41	HEXAGONAL FLANGE CROSS BOLT	M6×1.0×20L	4
10	A090049-00	SHOCKPROOF		4
11	A090050-00	PLUG		3
12	A100037-42	CLIP NUT		3
13	A130018-43	TAPPING SCREW	5mm×12L	1
14	A220020-41	FUEL TUBE	Ø17×12×1.0t	1
15	A230292-50	BRACKET BATTERY		1
16	F020195-43	CLIP NUT	M6×1.0	14
17	F150129-00	CLAMP		1
18	F150130-00	DRAINAGE PLUG		1
19	A050272-41	HEX WASHER FACE BOLT	M6X1.0X18L	2
20	A050024-41	HEX WASHER FACE BOLT	M6×1.0×16L	2
21	A050023-41	HEX WASHER FACE BOLT	M6x1.0x20L	4

SEAT



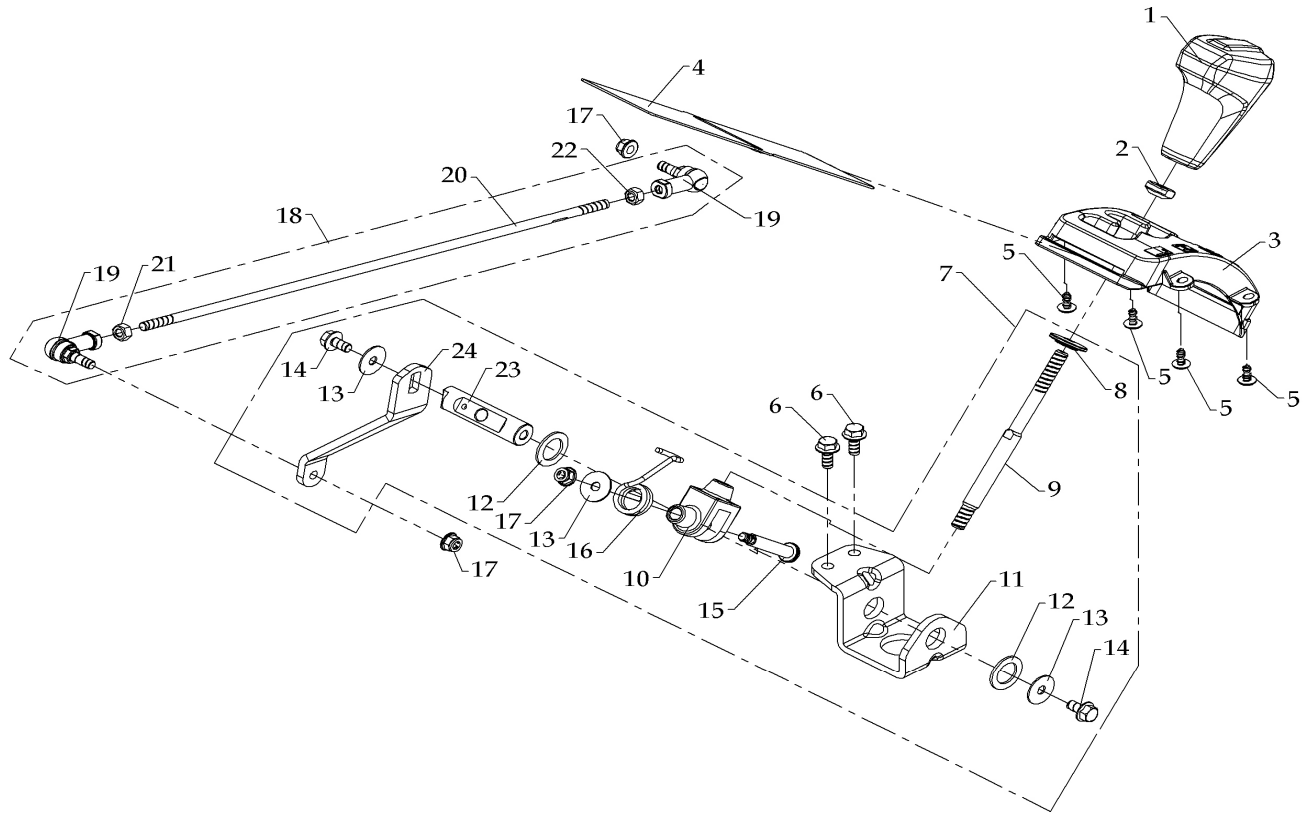
Item	Part no	Description	Specification	Q'ty
01	F210012-00	SEAT		1
02	A090049-00	SHOCKPROOF		6
03	A090050-00	PLUG		2
04	F210036-42	BRACKET,SEAT		1
05	A130018-43	TAPPING SCREW	5mm×12L	2

FRAME



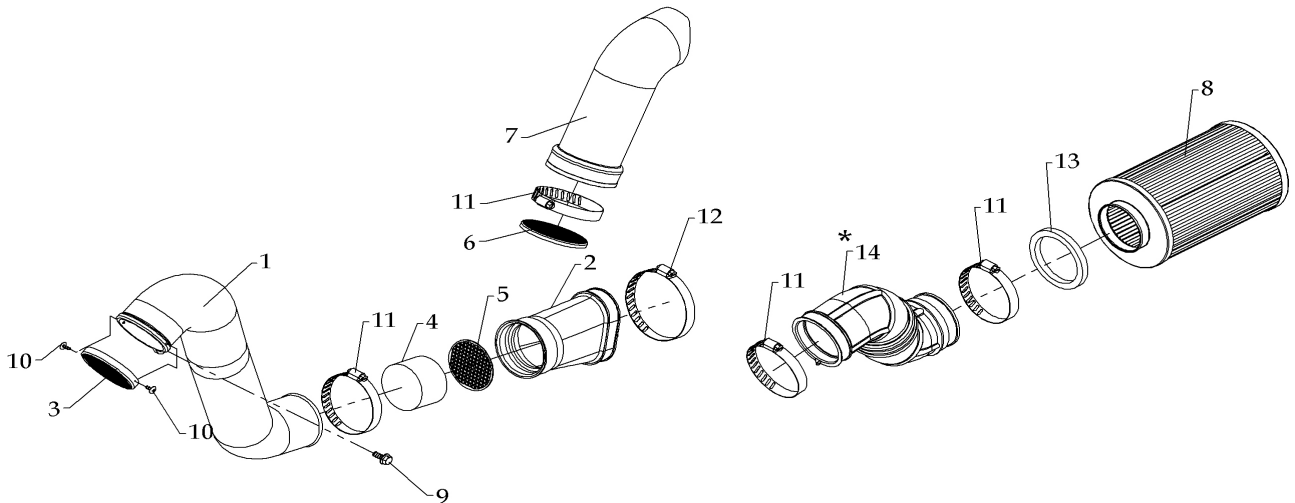
Item	Part no	Description	Specification	Q'ty
01	F210038-48	FOOTREST RH		1
02	F210039-48	FOOTREST LH		1
03	F210044A48	FRAME		1
04	F210057A48	FRAME, FRONT GRILLE		1
05	F210070-57	GRIP,FRONT		1
06	F210072-48	FRAME,HEADLIGHT SHADE		1
07	F210113-48	BASE, TRAILER BALL		1
08	F210143-50	WATER HOSE SUSTENTACULAR		1
09	F210144-50	WATER HOSE SUSTENTACULAR		1
10	A050049-41	HEX WASHER FACE BOLT	M8×1.25×16L	14
11	A050081-43	HEX WASHER FACE BOLT	M6×1.0×10L	2
12	A050201-41	HEX WASHER FACE BOLT	M10×1.25×25L	8
13	A050273-41	HEX WASHER FACE BOLT	M10×1.25×30L-10T	3
14	A060069-41	HEX NUT	M24×1.5	1
15	A080009-41	SPRING WASHER	Ø10.2×3.7×2.5t	8
16	A080122-41	SPRING WASHER	Ø19×Ø29×4t	1
17	A130018-43	TAPPING SCREW	5mm×12L	2
18	A930021-45	TRAILER BALL		1
19	A220055-00	HOSE		2
20	F210079-50	BRACKET		2
21	F210080-00	RUBBER		2
22	F210078-50	RR STABILIZER		1
23	F210155-52	WINDSHIELD		1
24	A050017-43	HEX WASHER FACE BOLT	M6×1.0×12L	2
25	A130005-43	TAPPING SCREW	5mm×16	6
26	A050267-41	HEX WASHER FACE BOLT	M12×P1.25×170L	2
27	A050268-41	HEX WASHER FACE BOLT	M12×P1.25×128L	1
28	A060008-41	INSERT LOCK NUT	M12×1.25	3

INDICATOR T/M LEVEL



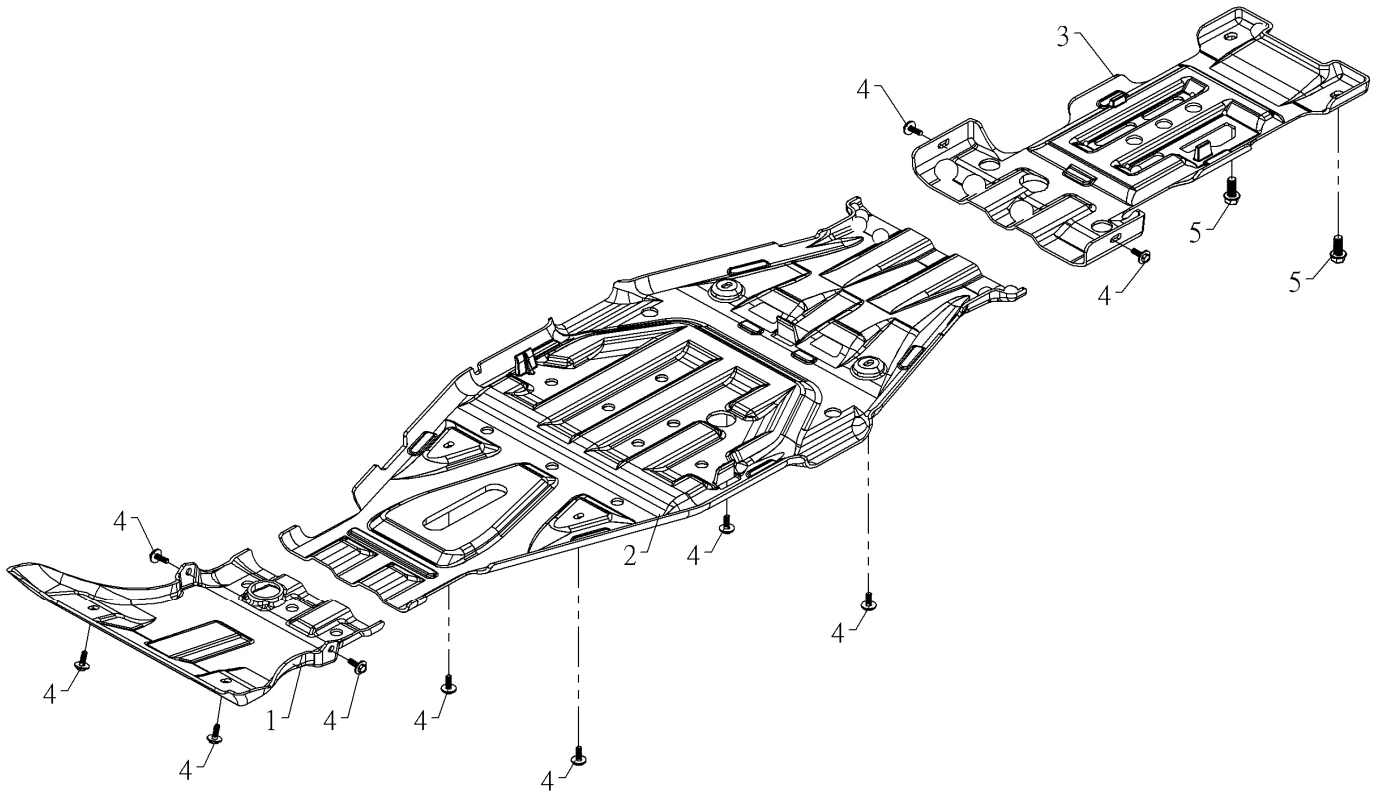
Item	Part no	Description	Specification	Q'ty
01	F210073-00	KNOB, T/M LEVER		1
02	A060080-45	NUT	M8×1.25	1
03	F210033-00	INDICATOR T/M LEVEL		1
04	F210020-00	COVER T/M LEVEL		1
05	A130018-43	TAPPING SCREW	5mm×12L	4
06	A050024-41	HEX WASHER FACE BOLT	M6×1.0×16L	2
07	F210071A00	INDICATOR T/M LEVEL ASSY		1
08	A090054-00	BUSHING		1
09	F210068A45	SHIFT LEVEL		1
10	F210069-00	INDICATOR T/M LEVEL		1
11	F210066-00	BRACKET , INDICATOR T/M LEVEL		1
12	A080121-00	SPACER	Ø16.2×Ø25×1.5t	2
13	A080105-41	WASHER	Ø6.2×Ø21×1.0t	3
14	A050017-41	HEX WASHER FACE BOLT	M6×1.0×12L	2
15	A050262-00	HEX SOCKET BOLT		1
16	A110060-44	SPRING		1
17	A060053-41	HEX INSERT LOCK NUT	M6×1.0	3
18	F210023-00	ROD,LEVEL ASSY		1
19	F210021-00	TIE ROD END		2
20	F210022-42	ROD,LEVEL		1
21	A060001-41	NUT	M6×1.0	1
22	A060074-41	NUT	M6×1.0-LH	1
23	F210129-00	SHAFT,LEVEL		1
24	F210128-50	LEVEL		1

DUCT, CVT



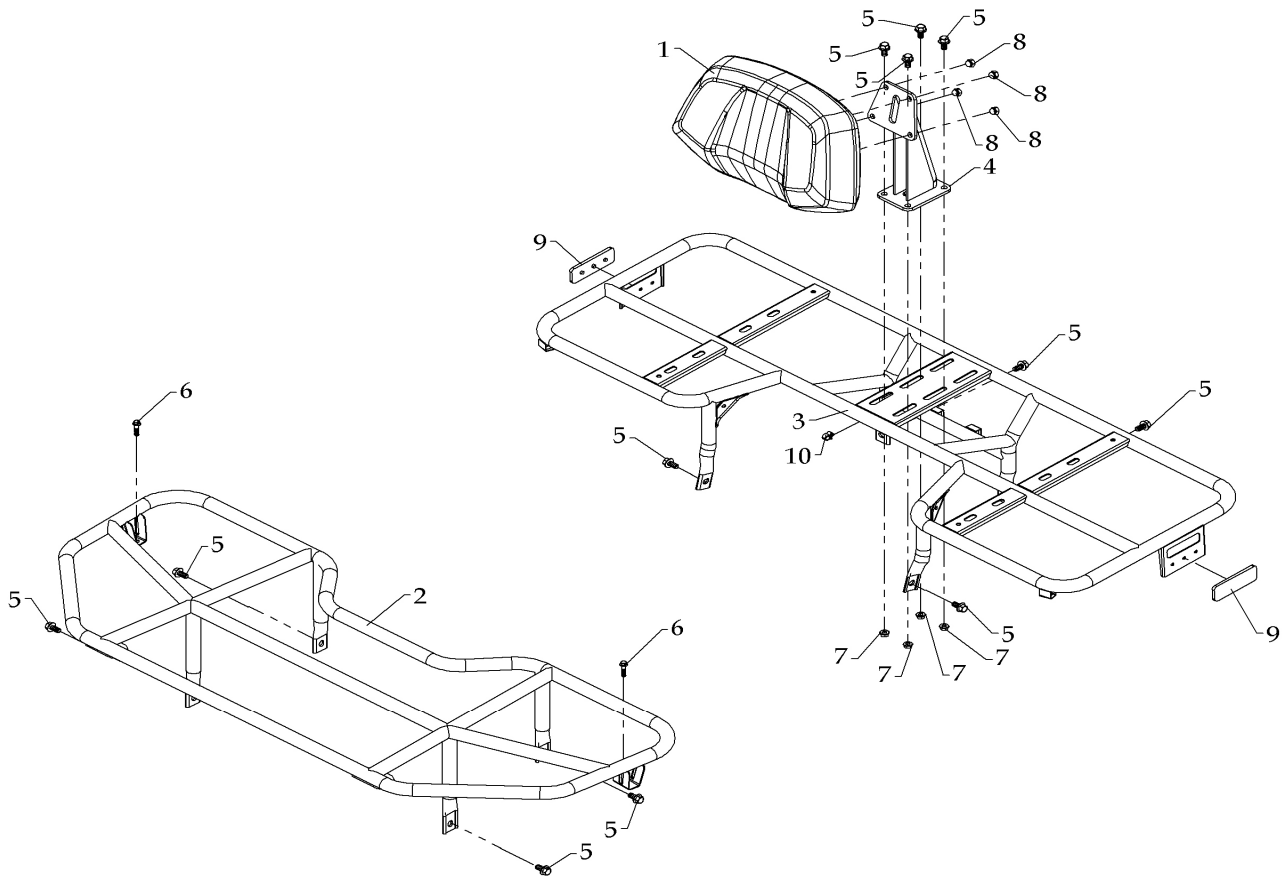
Item	Part no	Description	Specification	Q'ty
01	F210085-00	DUCT,CVT BREATHER		1
02	F210084-00	CONNECT, BREATHER		1
03	F210083-00	SCREEN		1
04	F210082-00	MIST FILTER		1
05	F210081-00	SCREEN		1
06	F210040-00	SCREEN		1
07	F210037-00	DUCT,CVT OUTLET		1
08	F210154-00	FOAM CORE,AIR CLEANER		1
09	A050024-41	HEX WASHER FACE BOLT	M6×1.0×16L	1
10	A130003-00	TAPPING SCREW	4mm×10L	2
11	A220056-00	ZEBRA HOSE CLAMPS	52-76×12.7	4
12	A220057-00	ZEBRA HOSE CLAMPS	65-89×12.7	1
13	A030051-02	WASHER	Ø64×Ø80×8t,CR	1
14	F210028-00	INTAKE DUCT		1
*	F210030-00	INTAKE DUCT	EFI	1

PROTECTOR



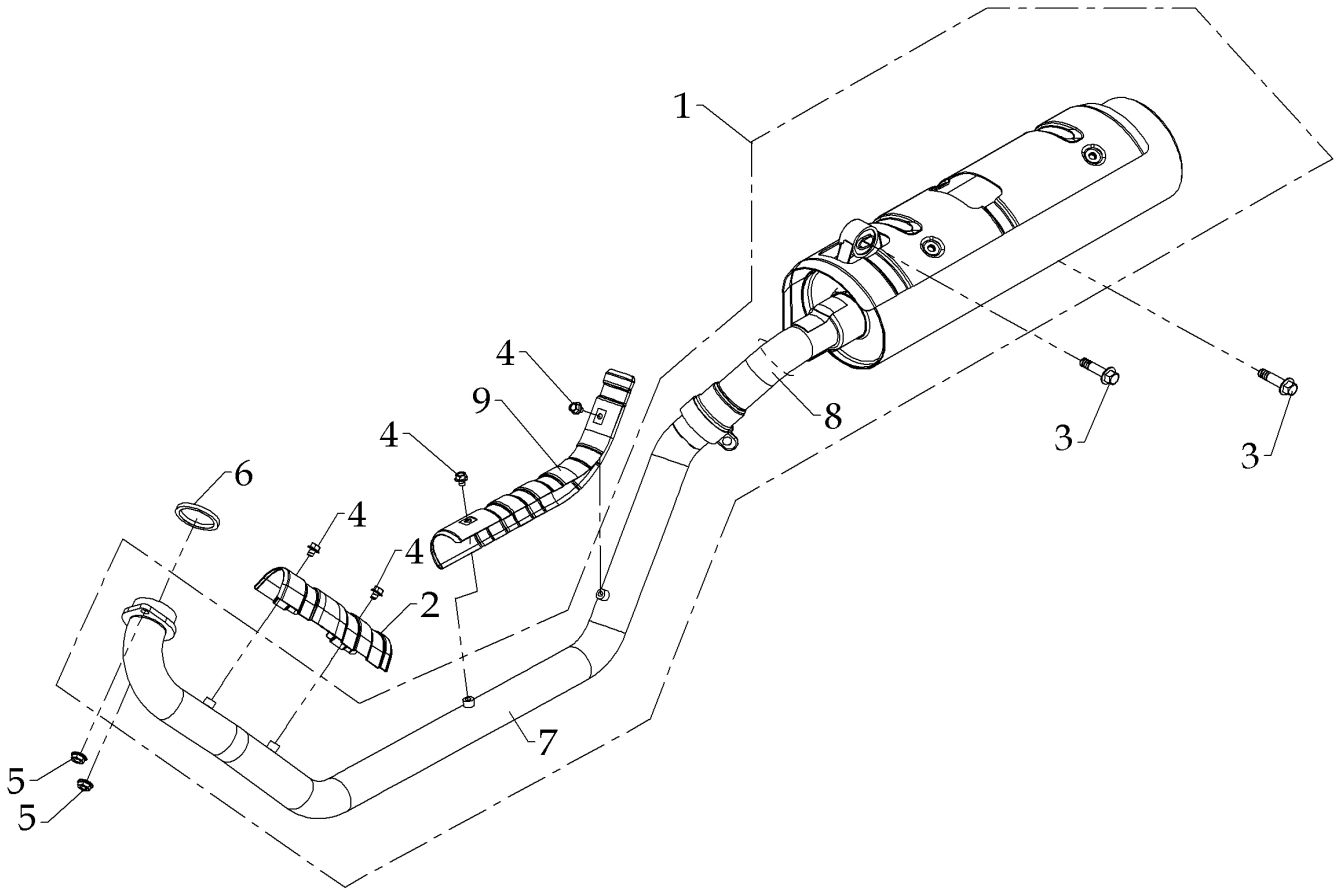
Item	Part no	Description	Specification	Q'ty
01	F210109-00	PROTECTOR,FRONT		1
02	F210119-00	PROTECTOR,ENGING		1
03	F210120-00	PROTECTOR,REAR		1
04	A050063-41	HEX WASHER FACE BOLT	M6x1.0x20L	10
05	A050005-41	HEXAGONAL FLANGE BOLT	M10X1.25X15L	2

RACK



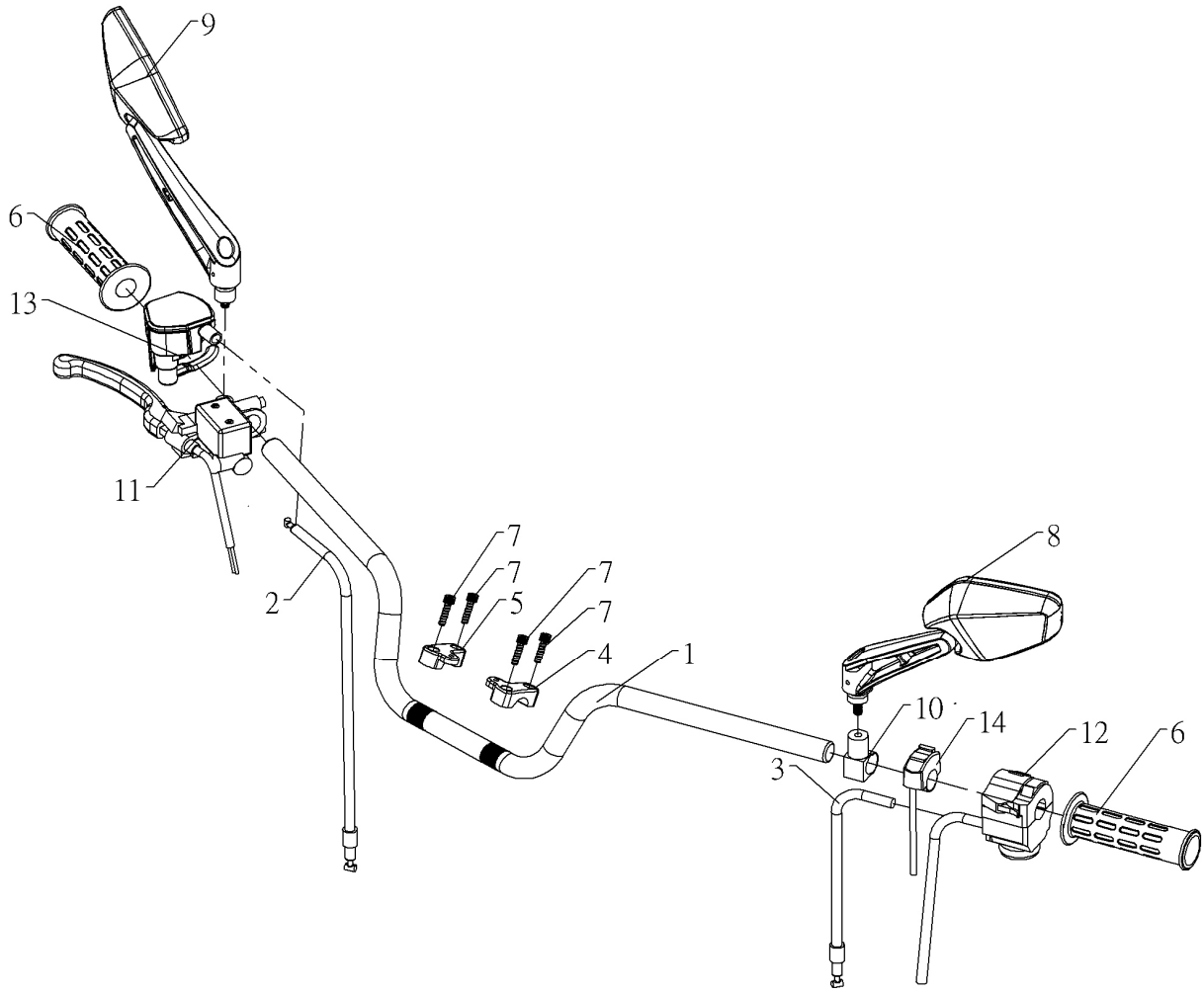
Item	Part no	Description	Specification	Q'ty
01	F210041-00	BACKREST		1
02	F210045A00	RACK, FRONT		1
03	F210046A00	RACK, REAR		1
04	F210053A52	BRACKET, BACKREST		1
05	A050049-41	HEX WASHER FACE BOLT	M8×1.25×16L	12
06	A050170-41	HEX WASHER FACE BOLT	M6×1.0×25L	2
07	A060014-41	INSERT LOCK NUT	M8×1.25	4
08	A060086-00	NUT	M8×1.25	4
09	F020266-00	REFLECTER	YELLOW	2
10	F020578-15	CLIP		1

MUFFLER



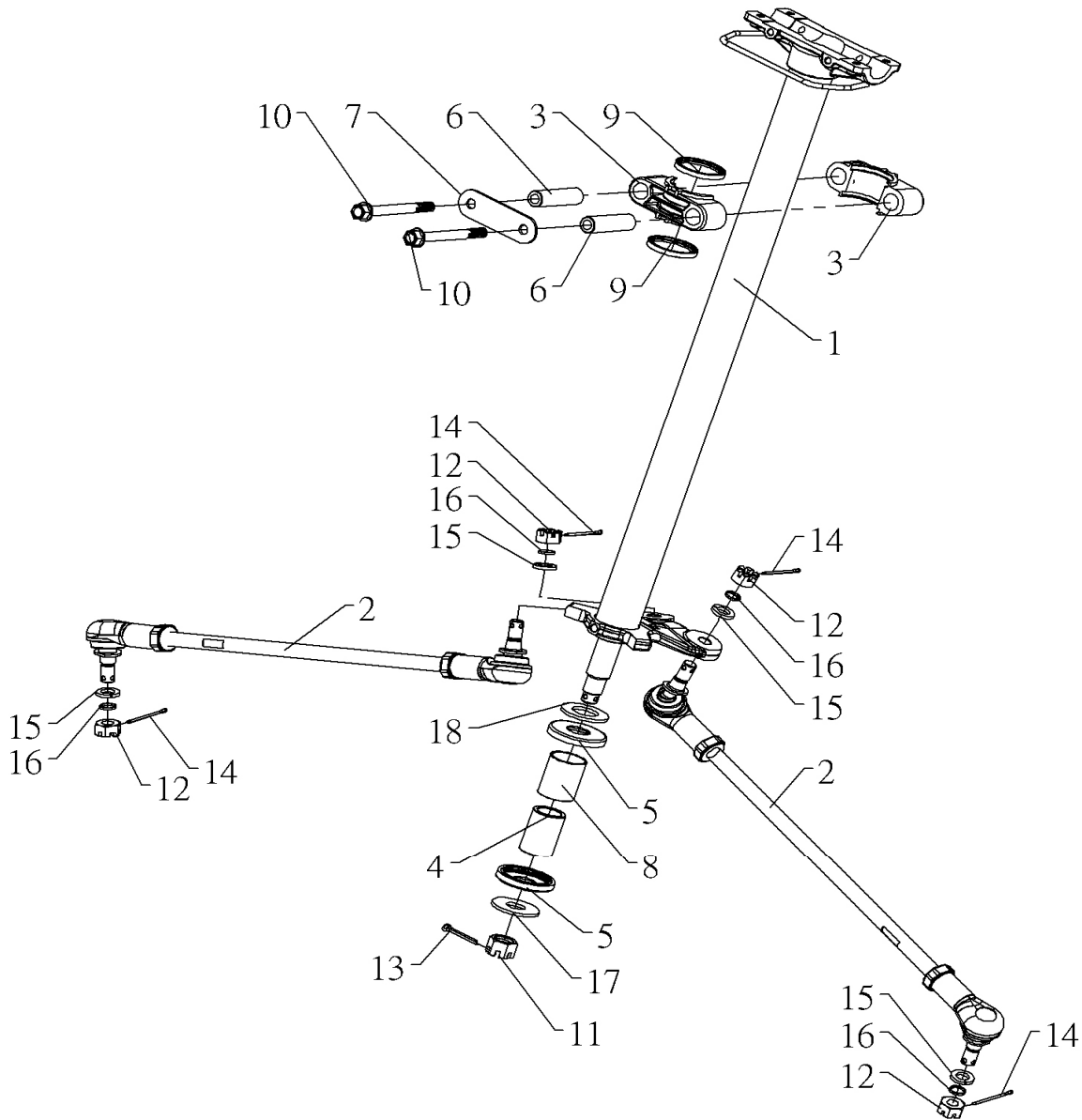
Item	Part no	Description	Specification	Q'ty
01	F210050A00	MUFFLER ASSY		1
02	F210150-57	GUIDE PLATE, MUFFLER		1
03	A050001-41	HEX WASHER FACE BOLT	M10×P1.25×40L	2
04	A050080-41	HEX WASHER FACE BOLT	M6×1.0×8L	4
05	A060014-41	INSERT LOCK NUT	M8×1.25	2
06	A080127-00	GASKET	Ø41×Ø50×4.8t	1
07	F210159A00	EXHAUST PIPE		1
08	F210160-00	MUFFLER		1
09	F210169-57	GUIDE PLATE, MUFFLER		1

HANDLEBAR



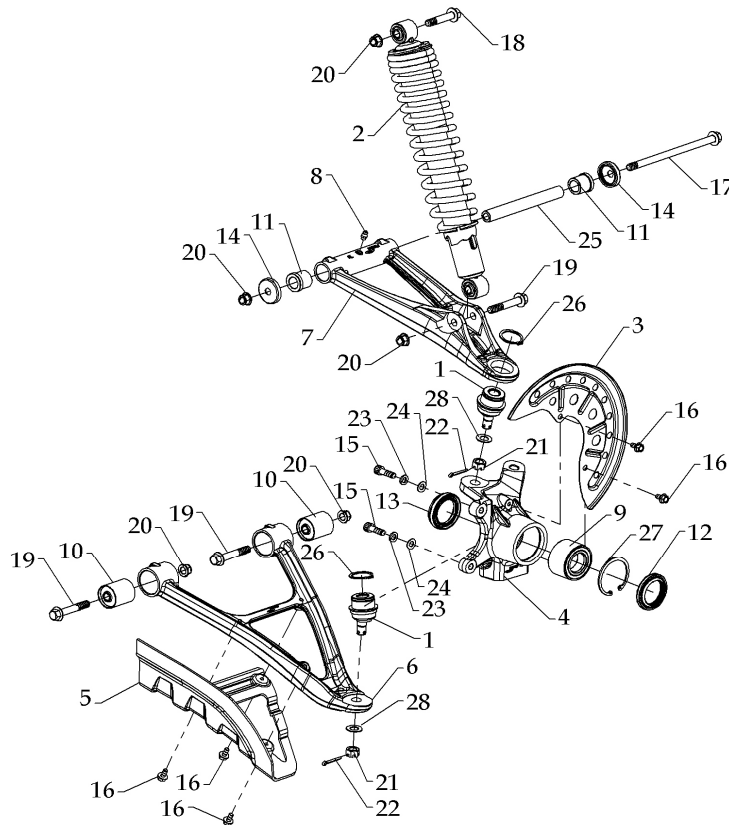
Item	Part no	Description	Specification	Q'ty
01	F210174-50	HANDLEBAR		1
02	F210060-00	THROTTLE WIRE		1
03	F210061-00	CHOKE CABLE		1
04	F020118-00	UPPER HANDLEBAR CLAMP (L)		1
05	F020117-00	UPPER HANDLEBAR CLAMP (R)		1
06	F020167A00	HANDLE GRIP		2
07	A050029-43	HEX SOCKET BOLT	M6×1.0×25L	4
08	A160005-00	REAR-VIEW MIRROR		1
09	A160006-00	REAR-VIEW MIRROR		1
10	A160015-00	MIRROR HOLDER		1
11	A190089-00	RIGHT LEVER ASSY	Ø14	1
12	A190056-00	LIFT LEVER ASSY		1
13	A190124-00	RIGHT SWITCH		1
14	A190132-00	HANDLEBAR SWITCH		1

STEERING



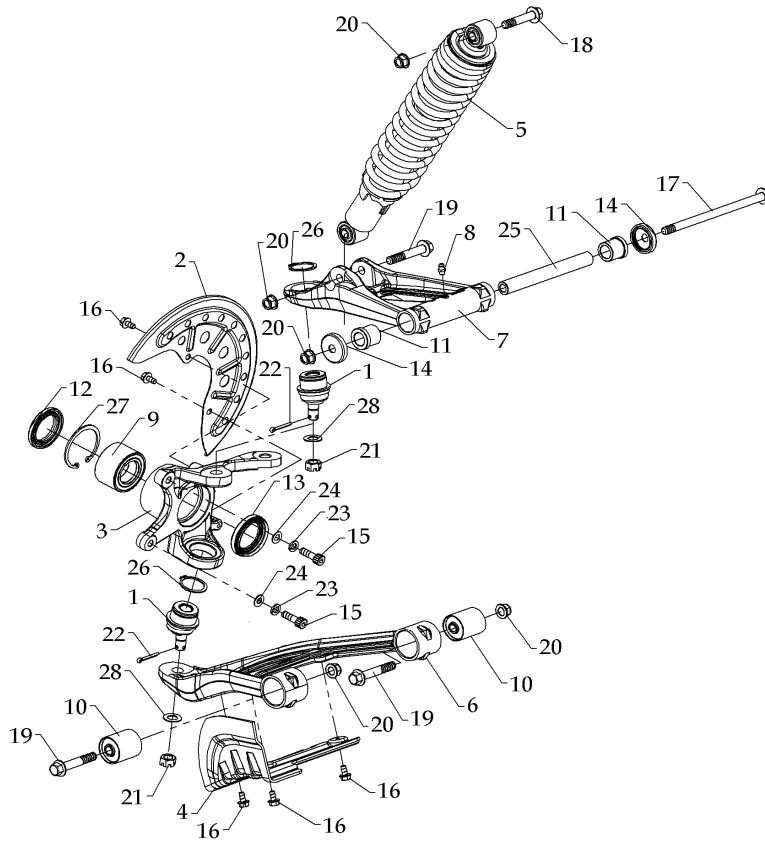
Item	Part no	Description	Specification	Q'ty
01	F210065-48	SHAFT,STEERING		1
02	F210075-00	STEERING TIE-ROD ASSY.		2
03	F140019-00	STEERING SHAFT BRACKET		2
04	F140033-00	PIN	Ø25×Ø18×37.5L	1
05	F140142-00	SEAL COVER	Ø18.1×Ø35×Ø44×6.2t	2
06	F140145-42	SPACER		2
07	F140082-41	PLATE		1
08	A020007-00	BUSH BEARING	Ø28×Ø25×35L	1
09	A030034-00	OIL SEAL		2
10	A050199-41	HEXAGONAL FLANGE BOLT	M8×1.25×75L	2
11	A060026B42	CASTLE NUT	M14×1.5-II	1
12	A060083-42	CASTLE NUT	M10×1.25×10t	4
13	A070002-41	COTTER PIN	Ø3.2×32L	1
14	A070011-41	COTTER PIN	Ø4×15.8L	4
15	A080009-41	SPRING WASHER	Ø10.2×3.7×2.5t	4
16	A080033-41	WASHER	Ø10.4×Ø22×1.6	4
17	A080087-41	WASHER	Ø14.5×Ø36×2.5t	1
18	A080088-41	WASHER	Ø205×Ø36×2.5t	1

FRONT SUSPENSION (L)



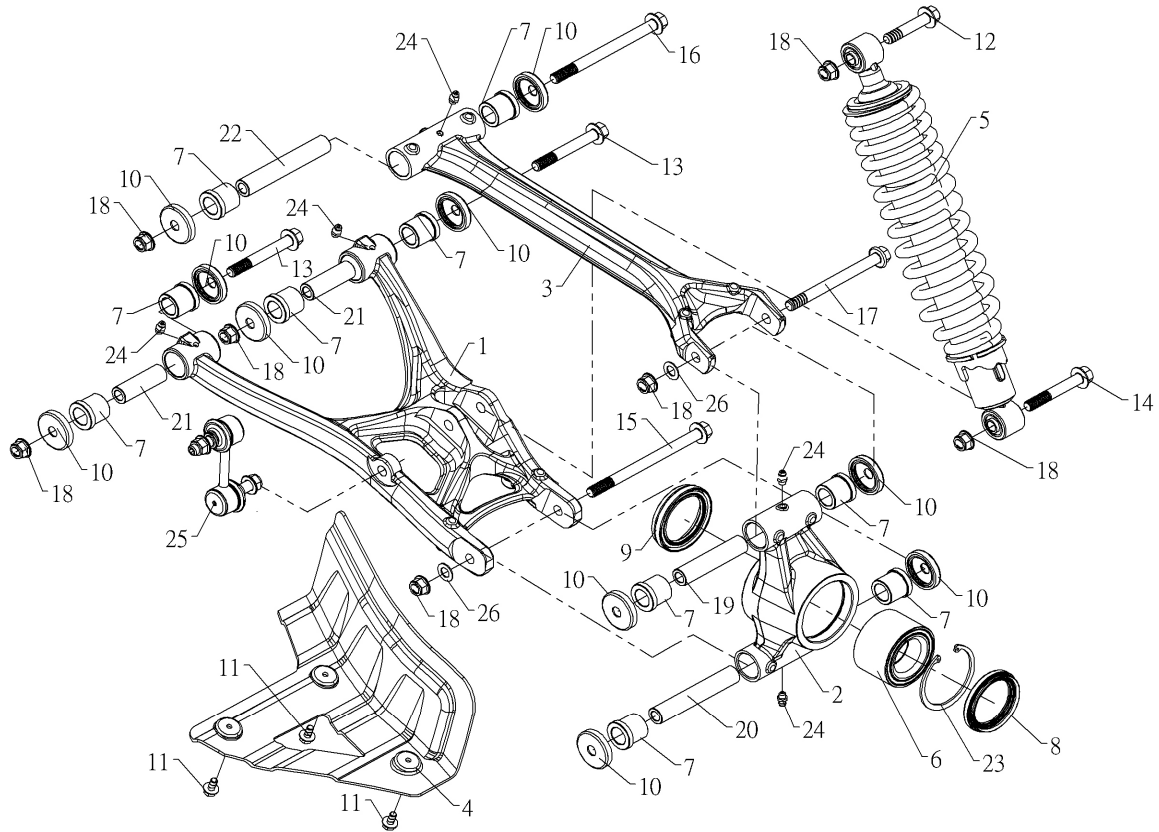
Item	Part no	Description	Specification	Q'ty
01	F210074-00	BALL JOINT	M12×1.25	2
02	F210123A00	ABSORBER, FRONT SHOCK		1
03	F210095-50	L.COVER, BRAKE DISK		1
04	F210099-00	STEERING KNUCKLE (L)		1
05	F210115-00	PROTECTOR,DRIVER SHAFT L.H		1
06	F210227-00	LOWER-LEFT A-ARM		1
07	F210229-00	UPPER-LEFT A-ARM		1
08	F020140-00	GREASE VALVE		1
09	A010080-04	DOUBLE ROW ANGULAR CONTACT BALL	Ø30×Ø55×32t	1
10	A020016-00	BUSH,ENG MTG	D35×38L-d10.2×40L	2
11	A020017-00	BUSH	Ø17×Ø25×23L	2
12	A030054-00	OIL SEAL	TC9Y 38 55 8/12	1
13	A030056-00	OIL SEAL	TC9Y 38 55 8/8.5	1
14	A030058-00	CAP		2
15	A050008-41	HEX SOCKET BOLT	M8×1.25×25	2
16	A050017-41	HEX WASHER FACE BOLT	M6×1.0×12L	5
17	A050174-41	HEX WASHER FACE BOLT	M10×1.25×170L	1
18	A050213-41	HEX WASHER FACE BOLT	M10×1.25×50L-8T	1
19	A050230-41	HEX WASHER FACE BOLT	M10×1.25×60L-10T	3
20	A060007-41	HEX INSERT LOCK NUT	M10×1.25	5
21	A060082-42	CASTLE NUT	M12×1.25×10t	2
22	A070011-41	COTTER PIN	Ø2.8×32L	2
23	A080012-41	SPRING WASHER	Ø8.2×3.2×2t	2
24	A080095-41	SPACER	Ø8.2×Ø16×1t	2
25	A090057-00	SPACER	Ø17×Ø10×147.4L	1
26	A100021-43	CIRCLIP,C TYPE	Ø30×1.5t	2
27	A100039-00	C TYPE	Ø55	1
28	A080031-41	SPACER	Ø22×Ø12.2×2t	2

FRONT SUSPENSION (R)



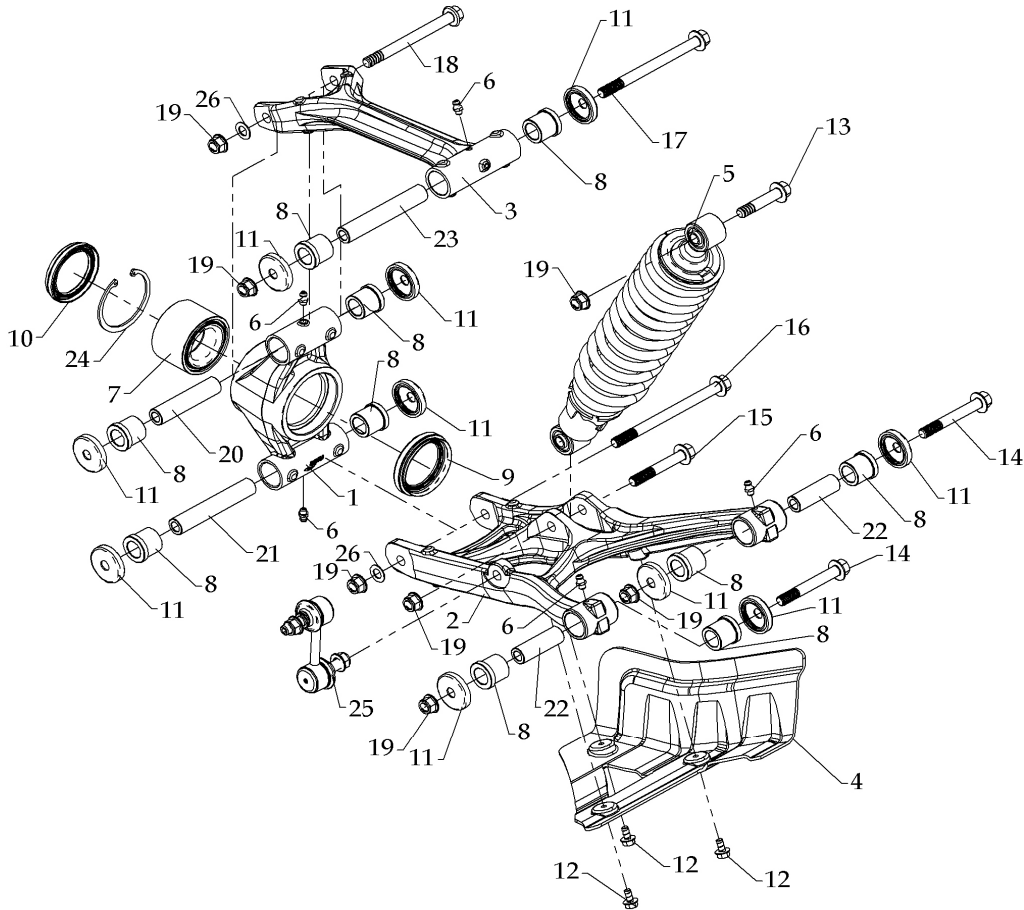
Item	Part no	Description	Specification	Q'ty
01	F210074-00	BALL JOINT	M12×1.25	2
02	F210094-50	R.COVER, BRAKE DISK		1
03	F210098-00	STEERING KNUCKLE (R)		1
04	F210116-00	PROTECTOR,DRIVER SHAFT R.H		1
05	F210123A00	ABSORBER, FRONT SHOCK		1
06	F210226-00	LOWER-RIGHT A-ARM		1
07	F210228-00	UPPER-RIGHT A-ARM		1
08	F020140-00	GREASE VALVE		1
09	A010080-04	DOUBLE ROW ANGULAR CONTACT BALL	Ø30×Ø55×32t	1
10	A020016-00	BUSH,ENG MTG	D35×38L-d10.2×40L	2
11	A020017-00	BUSH	Ø17×Ø25×23L	2
12	A030054-00	OIL SEAL	TC9Y 38 55 8/12	1
13	A030056-00	OIL SEAL	TC9Y 38 55 8/8.5	1
14	A030058-00	CAP		2
15	A050008-41	HEX SOCKET BOLT	M8×1.25×25	2
16	A050017-41	HEX WASHER FACE BOLT	M6×1.0×12L	5
17	A050174-41	HEX WASHER FACE BOLT	M10×1.25×170L	1
18	A050213-41	HEX WASHER FACE BOLT	M10×1.25×50L-8T	1
19	A050230-41	HEX WASHER FACE BOLT	M10×1.25×60L-10T	3
20	A060007-41	HEX INSERT LOCK NUT	M10×1.25	5
21	A060082-42	CASTLE NUT	M12×1.25×10t	2
22	A070011-41	COTTER PIN	Ø2.8×32L	2
23	A080012-41	SPRING WASHER	Ø8.2×3.2×2t	2
24	A080095-41	SPACER	Ø8.2×Ø16×1t	2
25	A090057-00	SPACER	Ø17×Ø10×147.4L	1
26	A100021-43	CIRCLIP,C TYPE	Ø30×1.5t	2
27	A100039-00	C TYPE	Ø55	1
28	A080031-41	SPACER	Ø22×Ø12.2×2t	2

REAR SUSPENSION (L)



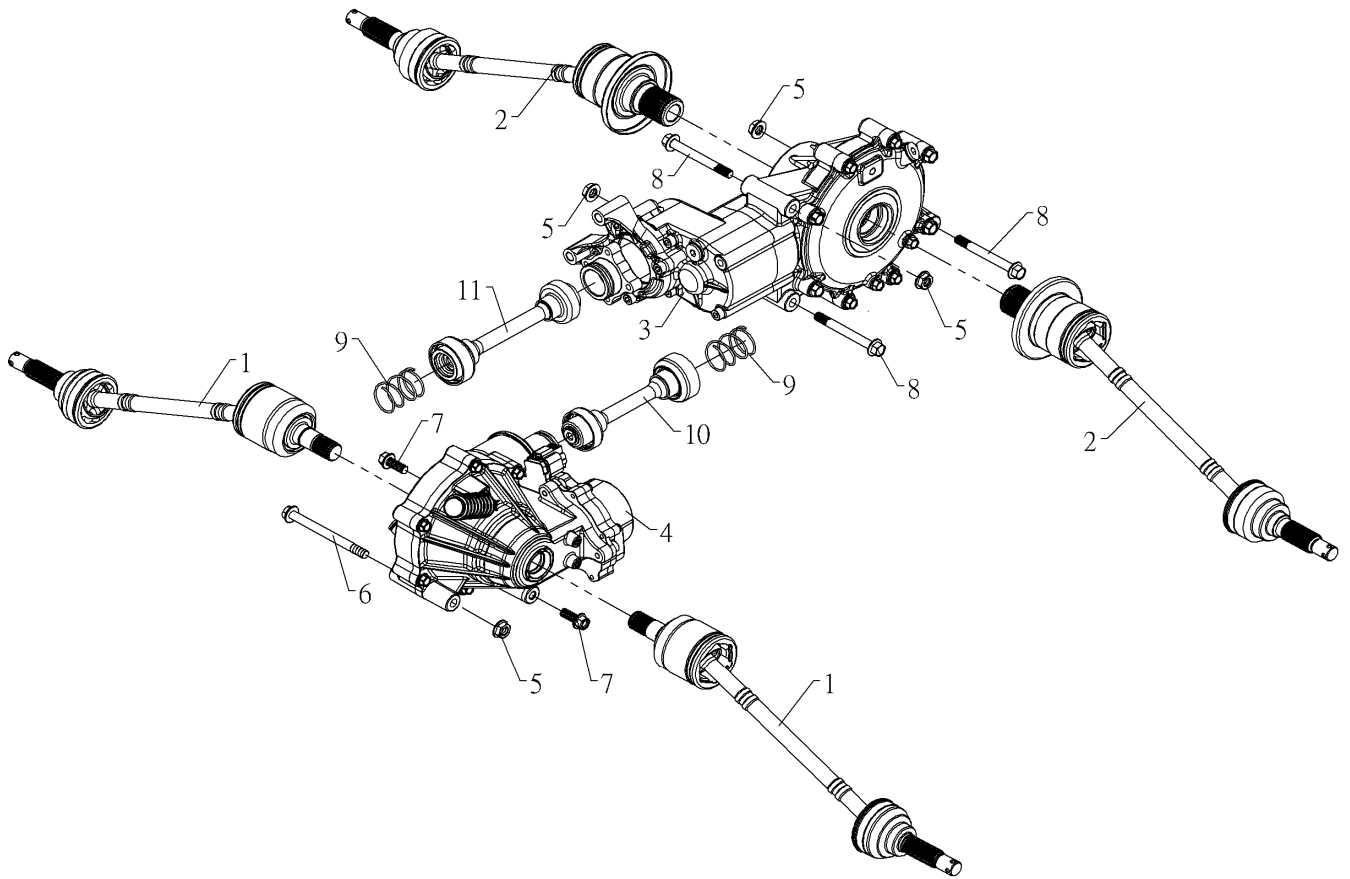
Item	Part no	Description	Specification	Q'ty
01	F210091-00	LOWER-LEFT ARM		1
02	F210097-00	KNUCKLE,REAR		1
03	F210168-00	UPPER ARM (L)		1
04	F210117-00	PROTECTOR,RR DRIVE SHAFT L.		1
05	F210122A00	ABSORBER,REAR SHOCK		1
06	A010079-04	DOUBLE ROW ANGULAR CONTACT BALL	Ø35×Ø62×40t	1
07	A020017-00	BUSH	Ø17×Ø25×23L	10
08	A030055-00	OIL SEAL	TC9Y 48 65 8/13	1
09	A030057-00	OIL SEAL	TC9Y 47 60 6/10.5	1
10	A030058-00	CAP		10
11	A050017-41	HEX WASHER FACE BOLT	M6×1.0×12L	3
12	A050213-41	HEX WASHER FACE BOLT	M10×1.25×50L-8T	1
13	A050263-41	HEX WASHER FACE BOLT	M10×P1.25×74L	2
14	A050264-41	HEX WASHER FACE BOLT	M10×P1.25×65L	1
15	A050236-41	HEX WASHER FACE BOLT	M10×P1.25×135L	1
16	A050277-41	HEX WASHER FACE BOLT	M10×P1.25×125L	1
17	A050270-41	HEX WASHER FACE BOLT	M10×1.25×110L	1
18	A060007-41	INSERT LOCK NUT	M10×1.25	7
19	A090055-00	SPACER	Ø17×Ø10×77.4L	1
20	A090056-00	SPACER	Ø17×Ø10×97.4L	1
21	A090058-00	SPACER	Ø17×Ø10×52.4L	2
22	A090059-00	SPACER	Ø17×Ø10×102.4L	1
23	A100030-00	C TYPE	Ø62	1
24	F020140-00	GREASE VALVE		5
25	F210108-00	JOINT RR STABILIZER		1
26	A080114-00	SPACER	Ø10.2×Ø18×1.0t	2

REAR SUSPENSION (R)



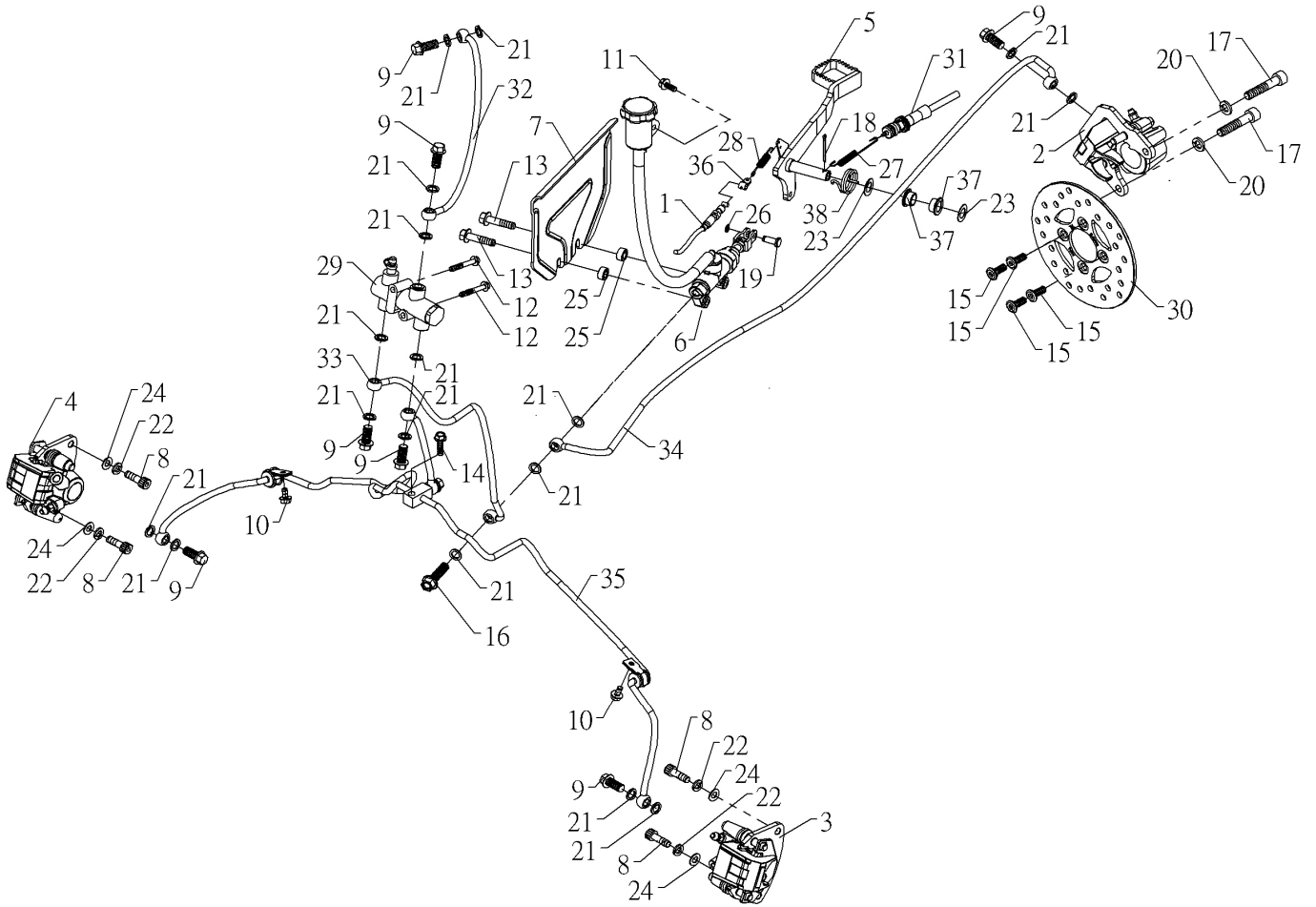
Item	Part no	Description	Specification	Q'ty
01	F210097-00	KNUCKLE,REAR		1
02	F210090-00	LOWER-RIGHT ARM		1
03	F210100A00	UPPER ARM (R)		1
04	F210118-00	PROTECTOR,RR DRIVE SHAFT R.H		1
05	F210122A00	ABSORBER,REAR SHOCK		1
06	F020140-00	GREASE VALVE		5
07	A010079-04	DOUBLE ROW ANGULAR CONTACT BALL	Ø35×Ø62×40t	1
08	A020017-00	BUSH	Ø17×Ø25×23L	10
09	A030055-00	OIL SEAL	TC9Y 48 65 8/13	1
10	A030057-00	OIL SEAL	TC9Y 47 60 6/10.5	1
11	A030058-00	CAP		10
12	A050017-41	HEX WASHER FACE BOLT	M6×1.0×12L	3
13	A050213-41	HEX WASHER FACE BOLT	M10×1.25×50L-8T	1
14	A050263-41	HEX WASHER FACE BOLT	M10×P1.25×74L	2
15	A050264-41	HEX WASHER FACE BOLT	M10×P1.25×65L	1
16	A050236-41	HEX WASHER FACE BOLT	M10×P1.25×135L	1
17	A050277-41	HEX WASHER FACE BOLT	M10×P1.25×125L	1
18	A050270-41	HEX WASHER FACE BOLT	M10×1.25×110L	1
19	A060007-41	HEX INSERT LOCK NUT	M10×1.25	7
20	A090055-00	SPACER	Ø17×Ø10×77.4L	1
21	A090056-00	SPACER	Ø17×Ø10×97.4L	1
22	A090058-00	SPACER	Ø17×Ø10×52.4L	2
23	A090059-00	SPACER	Ø17×Ø10×102.4L	1
24	A100030-00	C TYPE	Ø62	1
25	F210108-00	JOINT RR STABILIZER		1
26	A080114-00	SPACER	Ø10.2×Ø18×1.0t	2

SHAFT,REAR PROPELLER



Item	Part no	Description	Specification	Q'ty
01	F210088-00	SHAFT,FRONT PROPELLER		2
02	F210089-00	SHAFT,REAR PROPELLER		2
03	F210130-00	GEAR BOX ASSY,REAR DRIVER		1
04	F210131-00	D/F GEAR BOX ASSY		1
05	A060007-41	INSERT LOCK NUT	M10×1.25	4
06	A050068A41	HEXAGONAL FLANGE BOLT	M10×1.25×115L	1
07	A050201-41	HEXAGONAL FLANGE BOLT	M10×1.25×25L	2
08	A050237-41	HEXAGONAL FLANGE BOLT	M10×1.25×90	3
09	A110061-00	SPRING COMPRESSION	Ø36×52L	2
10	F210157-00	SHAFT PROPELLER B		1
11	F210158-00	SHAFT PROPELLER A		1

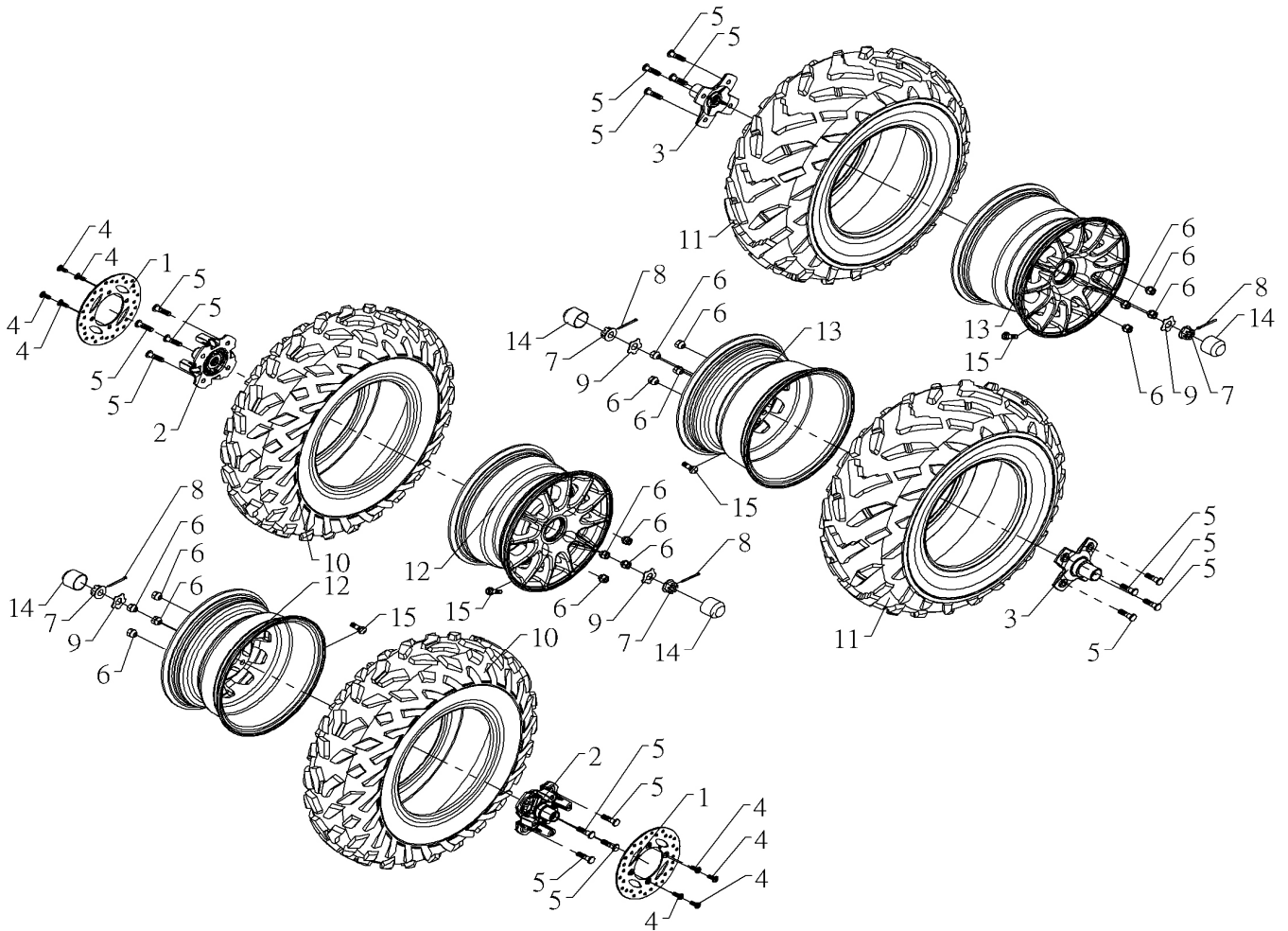
BRAKE SYSTEM



Item	Part no	Description	Specification	Q'ty
01	F210062-00	REVERSE SWITCH CABLE		1
02	F210103-00	REAR BRAKE ASSY.		1
03	F210105-00	FRONT BRAKE ASSY(L).		1
04	F210106-00	FRONT BRAKE ASSY(R).		1
05	F210111-48	PEDAL,BRAKE		1
06	F210141A00	CYLINDER ASS'Y MASTER		1
07	F210142-52	PROTECTOR		1
08	A050008-41	HEX SOCKET BOLT	M8×1.25×25	4
09	A050009-44	HEXAGONAL FLANGE BOLT	M10×1.25×22L	7
10	A050017-41	HEXAGONAL FLANGE BOLT	M6×1.0×12L	2
11	A050024-41	HEXAGONAL FLANGE BOLT	M6×1.0×16L	1
12	A050069-41	HEXAGONAL FLANGE BOLT	M6×1.0×40L	2
13	A050179-41	HEXAGONAL FLANGE BOLT	M8×1.25×35L	2
14	A050077-43	HEXAGONAL FLANGE BOLT	M6×1.0×25L	1
15	A050183-41	BOLT	M8×1.25×17L	4
16	A050196-44	HEXAGONAL FLANGE BOLT	M10×1.25×39L	1
17	A050276-00	HEX SOCKET BOLT	M10×1.5×50L	2
18	A070011-41	COTTER PIN	Ø2.8×32L	1
19	A070021-42	PIN	Ø7×15	1
20	A080009-41	SPRING WASHER	Ø10.2×3.7×2.5t	2
21	A080011-00	WASHER	Ø10.3×15×1.5	17
22	A080012-41	SPRING WASHER	Ø8.2×3.2×2t	4
23	A080086-41	WASHER	Ø13×Ø22×0.8t	2
24	A080095-41	WASHER	Ø8.2×Ø16×1t	4
25	A090060-41	SPACER	Ø15×Ø8.5×7.5	2

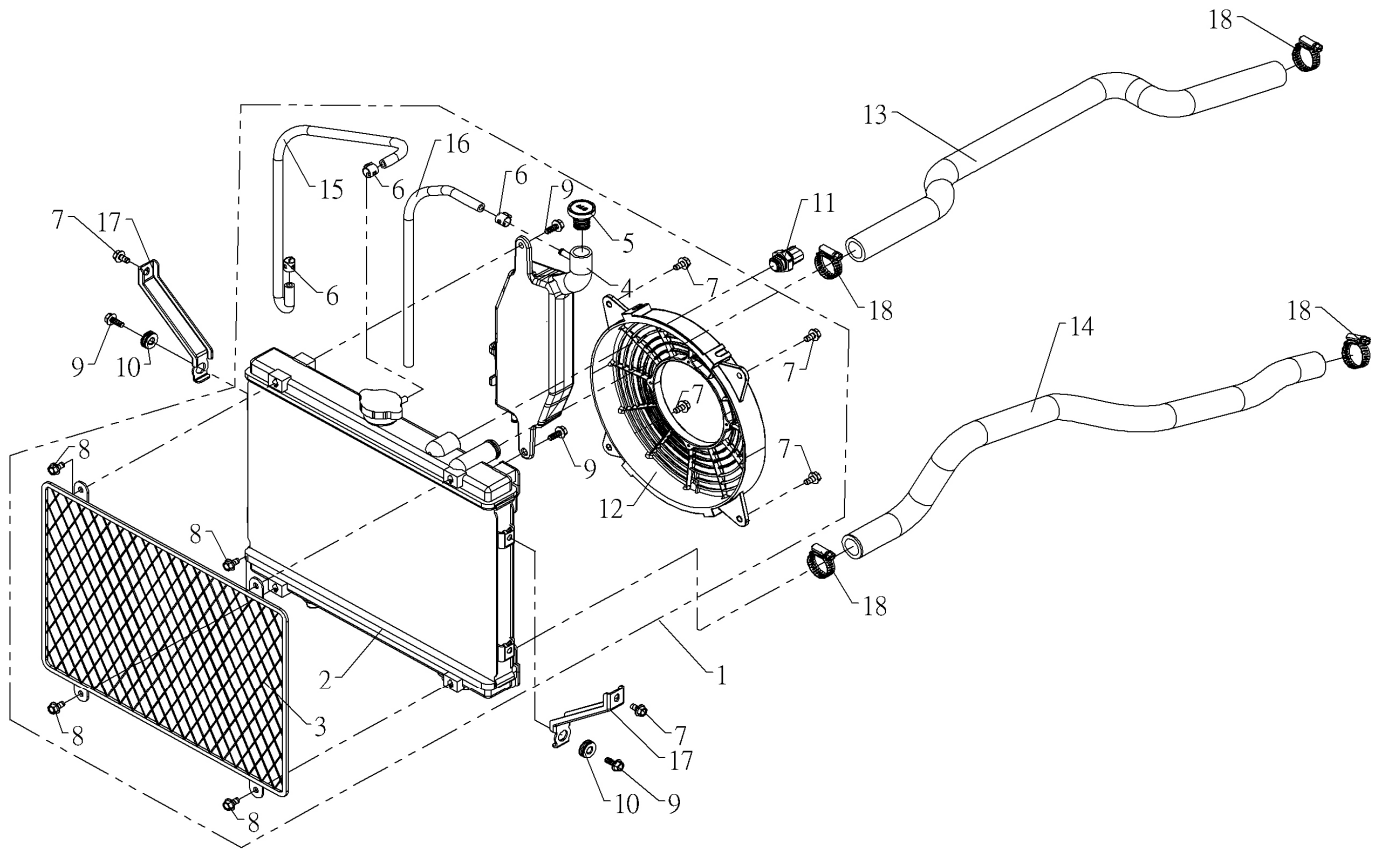
26	A100016-43	CIRCLIP,E TYPE	Ø5	1
27	A110040-43	SPRING	Ø8×Ø1.2	1
28	A110041-41	SPRING	Ø14×Ø12.5×49.5L	1
29	A220015-00	PRESSURE VALVE	Ø14	1
30	F210077-00	REAR DISK,BRAKE	Ø170	1
31	A190128-00	FOOT BRAKE SENSOR		1
32	A220067-00	BRAKING HOSE		1
33	A220070-00	BRAKING HOSE		1
34	A220071-00	BRAKING HOSE		1
35	A220072-00	BRAKING HOSE		1
36	F140203-00	CONNECTOR		1
37	F150046-00	BUSH		2
38	F170060A42	TORSION SPRING		1

WHEEL



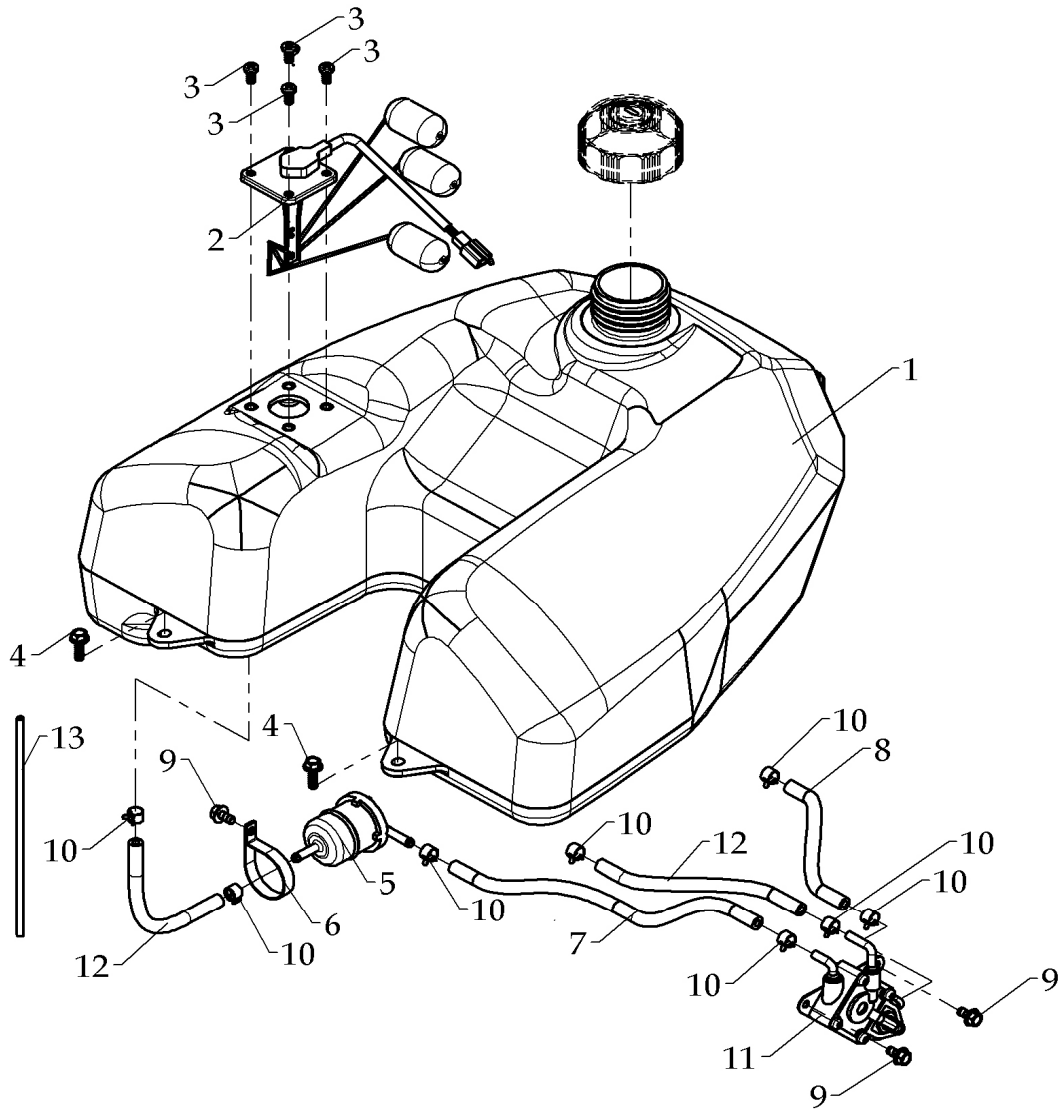
Item	Part no	Description	Specification	Q'ty
01	F210076-00	FRONT DISK,BRAKE	Ø200	2
02	F210101-48	HUB,FRONT WHEEL		2
03	F210107-48	HUB,REAR WHEEL		2
04	A050183-41	FHSC	M8×1.25×17L	8
05	A050208-41	INSERT BOLT	M10×1.25×40L	16
06	A060061-41	NUT	M10×1.25	16
07	A060081-42	CASTLE NUT	M18×1.5	4
08	A070048-41	COTTER PIN	Ø4×46L	4
09	A080126-00	SPRING WASHER		4
10	A250006-00	TIRE	AT25×8	2
11	A250007-00	TIRE	AT25×10	2
12	A250014-00	RIM	12×6	2
13	A250015-00	RIM	12×7.5	2
14	A990286-00	NAME PLATE		4
15	F020154-00	RIM VALVE		4

RADIATOR



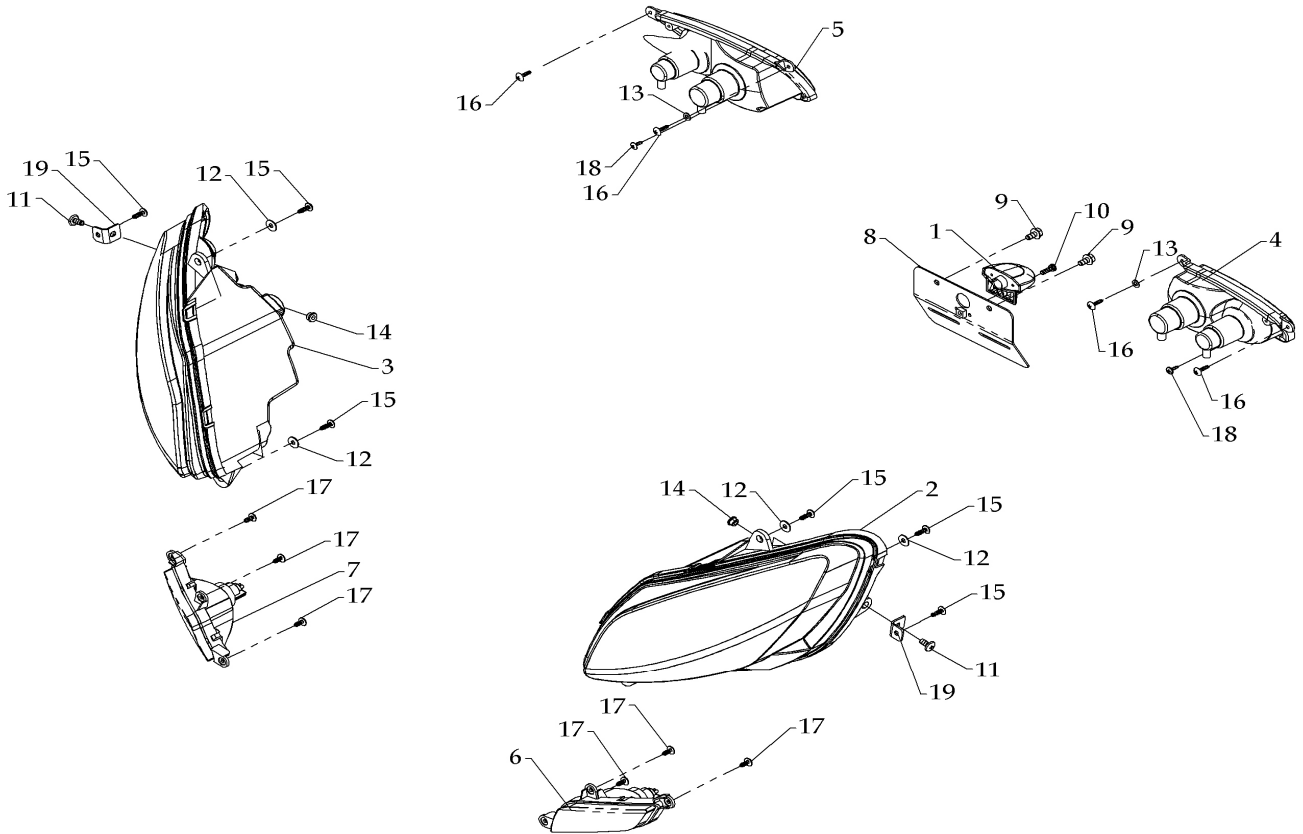
Item	Part no	Description	Specification	Q'ty
01	F210031-00	RADIATOR ASSEMBLY		1
02	F210051-00	RADIATOR		1
03	F210127-50	RADIATOR PROTECTOR		1
04	F210093-00	TANK, RESERVOIR		1
05	F210096-00	TANK, RESERVOIR		1
06	F020197-00	TUBE CLIP	9.2×0.6	3
07	A050017-41	HEXAGONAL FLANGE BOLT	M6×1.0×12L	6
08	A050017-43	HEXAGONAL FLANGE BOLT	M6×1.0×12L	4
09	A050024-41	HEXAGONAL FLANGE BOLT	M6×1.0×16L	4
10	A080124-00	BUSH		2
11	A190125-00	SWITCH, COOLING FAN		1
12	A190131-00	COOLING FAN ASSEMBLY		1
13	A220063-00	WATER HOSE	Ø21×Ø30×650L	1
14	A220064-00	WATER HOSE	Ø21×Ø30×730L	1
15	A220065-00	WATER HOSE	Ø6×Ø10.5×600L	1
16	A220066-00	WATER HOSE	Ø6×Ø10.5×410L	1
17	A230215-50	COOLER BRACKET		2
18	F150146-00	TUBE CLIP	Ø30~Ø40	4

FUEL TANK



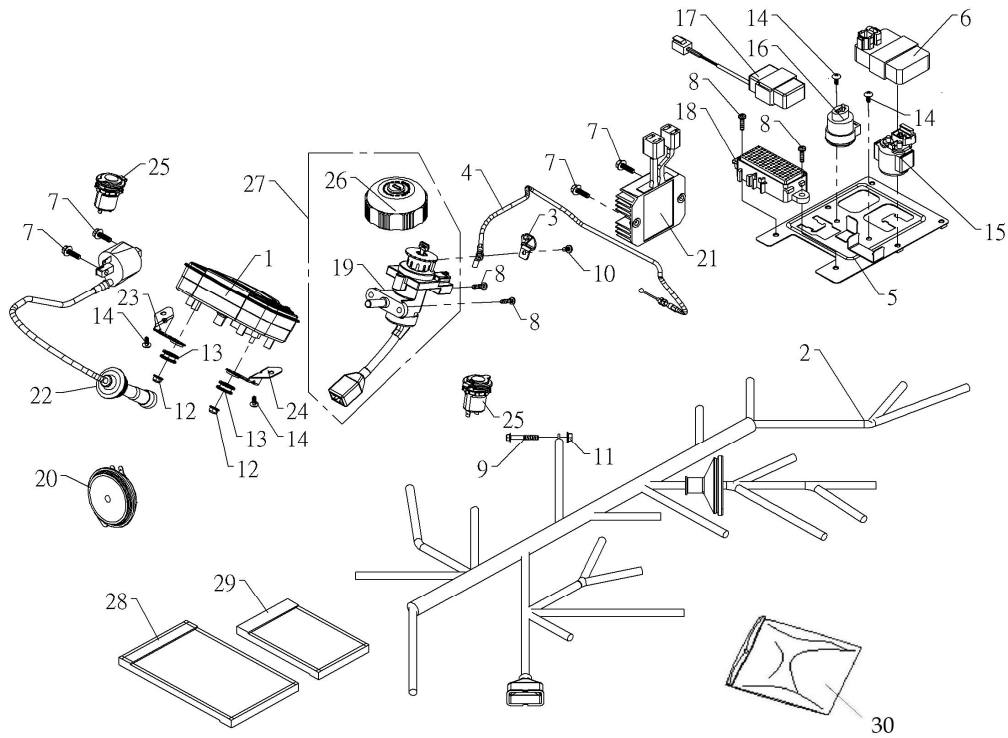
Item	Part no	Description	Specification	Q'ty
01	F210032-00	OIL TANK		1
02	F210058-00	FUEL TANK CAP LOCK		1
03	A050271-41	SCREW	M6×P1.0×12L	4
04	A050016-41	HEXAGONAL FLANGE BOLT	M6×1.0×20L	2
05	F150223-00	FUEL FILTER ASSEMBLY		1
06	A220073-41	STRAP		1
07	A220075-00	FUEL TUBE	Ø5.3×Ø10.5×280L	1
08	A220077-00	FUEL TUBE	Ø5.3×Ø10.5×130L	1
09	A050017-41	HEXAGONAL FLANGE BOLT	M6×1.0×12L	3
10	A220036-00	TUBE CLIP	Ø10×8×0.6t	8
11	A240005-00	FUEL PUMP,RETURN		1
12	A220076-00	FUEL TUBE	Ø5.3×Ø10.5×180L	2
13	F150116-00	FUEL TUBE	Ø2.6×Ø5×210L	1

LIGHT



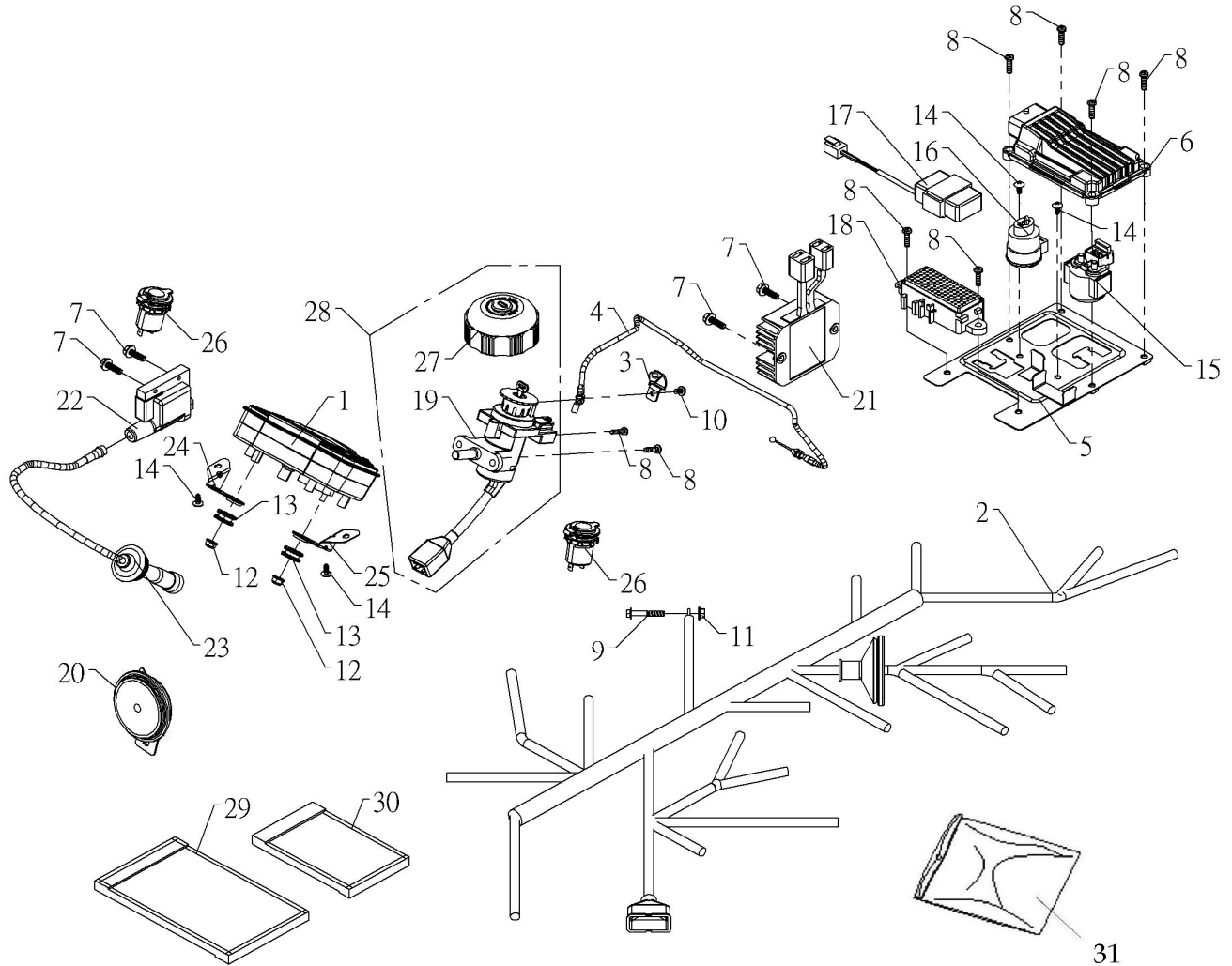
Item	Part no	Description	Specification	Q'ty
01	A180073-00	LAMPS,LICENSE PLATE		1
02	A180088-00	HEAD LIGHT	LEFT	1
03	A180089-00	HEAD LIGHT	RIGHT	1
04	A180069-00	TAIL LIGHT&DIRECTIONAL	LEFT	1
05	A180070-00	TAIL LIGHT&DIRECTIONAL	RIGHT	1
06	A180092-00	DIRECTIONAL	LEFT	1
07	A180093-00	DIRECTIONAL	RIGHT	1
08	F210048-50	LICENSE PLATE		1
09	A050017-41	HEX WASHER FACE BOLT	M6×1.0×12L	2
10	A050031-41	PAN HEAD BOLT	M5×0.8×16L	1
11	A050091-41	MACHINE SCREW	M6×1.0×12L	2
12	A080034-41	SPACER	Ø5.5×Ø15×1.0	4
13	A080041-00	SPACER	Ø5.3×Ø10×1t	2
14	A090053-42	BUSHING		2
15	A130005-43	TAPPING SCREW	5mm×16	6
16	A130007-43	TAPPING SCREW	4mm×16L	4
17	A130018-43	TAPPING SCREW	5mm×12L	6
18	A130024-43	TAPPING SCREW	4×12L	2
19	A230265-50	BRACKET		2

ELECTRIC SYSTEM



Item	Part no	Description	Specification	Q'ty
01	F210035-00	SPEEDOMETER	CAB	1
02	F210124-00	MAIN CABLE ASSY'		1
03	F210125-42	BRACKET		1
04	F210126-00	SEAT CABLE		1
05	F210027-50	BRACKET,ELECTRICS PARTS		1
06	A190108-00	C.D.I	63R	1
07	A050016-41	HEXAGONAL FLANGE BOLT	M6×1.0×20L	4
08	A050033-41	SCREW	M6×1.0×20L	4
09	A050139-41	HEXAGONAL FLANGE BOLT	M6×1.0×35L	1
10	A050159-41	PANHEAD SCREW & WASHER	M5×0.8×10L	1
11	A060009-41	HEX INSERT LOCK NUT	M6×1.0	1
12	A060053-41	HEX INSERT LOCK NUT	M6×1.0	2
13	A080125-00	BUSH		2
14	A130018-43	TAPPING SCREW	5mm×12L	4
15	A190102-00	STARTER RELAY		1
16	A190119-00	FLASH RELAY		1
17	A190070-00	STARTER RELAY		1
18	A190118-00	FUSE BOX		1
19	A190105-00	SWITCH ASSY,IGNITION		1
20	A190133-00	HORN		1
21	A190101-00	REGULATOR		1
22	A190107-00	IGNITION COIL		1
23	A230206-50	R.BRACKET , METER	RIGHT	1
24	A230208-50	L.BRACKET, METER	LIFT	1
25	A190109-00	TERMINAL ASSY		2
26	A190112-01	FUEL TANK CAP LOCK		1
27	A190113-00	LOCK COMPLEMENT		1
28	A930005-00	STRAP	120×200	1
29	F040097-00	JACKET		1
30	F210156-00	TOOL BAG		1

ELECTRIC SYSTEM (EFI)



Item	Part no	Description	Specification	Q'ty
01	F210034-00	SPEEDOMETER	EFI	1
02	F210132-00	MAIN CABLE ASSY'		1
03	F210125-42	BRACKET		1
04	F210126-00	SEAT CABLE		1
05	F210027-50	BRACKET,ELECTRICS PARTS		1
06	E150168-00	ECU	M3C	1
07	A050016-41	HEXAGONAL FLANGE BOLT	M6×1.0×20L	4
08	A050033-41	SCREW	M6×1.0×20L	8
09	A050139-41	HEXAGONAL FLANGE BOLT	M6×1.0×35L	1
10	A050159-41	PANHEAD SCREW & WASHER	M5×0.8×10L	1
11	A060009-41	HEX INSERT LOCK NUT	M6×1.0	1
12	A060053-41	HEX INSERT LOCK NUT	M6×1.0	2
13	A080125-00	BUSH		2
14	A130018-43	TAPPING SCREW	5mm×12L	4
15	A190102-00	STARTER RELAY		1
16	A190119-00	FLASH RELAY		1
17	A190070-00	STARTER RELAY		1
18	A190118-00	FUSE BOX		1
19	A190105-00	SWITCH ASSY,IGNITION		1
20	A190133-00	HORN		1
21	A190101-00	REGULATOR		1
22	E150171-00	IGNTION COIL		1
23	A190117-00	HITRNSION CORD COMP		1

24	A230206-50	R.BRACKET , METER	RIGHT	1
25	A230208-50	L.BRACKET, METER	LIFT	1
26	A190109-00	TERMINAL ASSY		2
27	A190112-01	FUEL TANK CAP LOCK		1
28	A190113-00	LOCK COMPLEMENT		1
29	A930005-00	STRAP	120×200	1
30	F040097-00	JACKET		1
31	F210156-00	TOOL BAG		1
32	A050049-41	HEX WASHER FACE BOLT	M8×1.25×16L	1
33	A060014-41	INSERT LOCK NUT	M8×1.25	1

STICKERS

WARNING
IMPROPER TIRE PRESSURE OR OVERLOADING CAN CAUSE LOSS OF CONTROL. LOSS OF CONTROL CAN RESULT IN SEVERE INJURY OR DEATH.
COLD TIRE PRESSURE: Set with tires cold
Recommended : FRONT : 35kpa, {0.35bar} , 5.0psi
REAR : 30kpa, {0.3 bar} , 4.4psi
Maximum Vehicle Load : 250 kg, (551 lbs)
Includes weight of operator, cargo and accessories.

WARNING
Failure to stop vehicle completely before doing the following could result in your being thrown from the ATV.
To engage reverse:
• Stop vehicle completely.
• Shift transmission to neutral.
• Bring engine to idle. Apply brake.
• Shift range lever fully toward rear.
To engage Hi-Lo range:
• Stop vehicle completely.
• Bring engine to idle.
• Operate range lever while applying brake.
Hi- range: Normal riding.
Lo-range: Severe load conditions.
Read owner's manual for additional information.

WARNING
Front
NEVER carry passenger on this carrier.
MAXIMUM LOAD : 30 kg (66 lbs)

WARNING
Rear
NEVER carry passenger on this carrier.
MAXIMUM LOAD : 60 kg (132 lbs)

WARNING
Keep hands, hair, clothing, etc., away from fan. Fan starts automatically and may cause injury.

WARNING
Use care when refill coolant. Do not spill out coolant which may be corrosive to vehicle surface.

Attention!
At 4WD Lock may cause steering hard and difficult to control the handlebar

Attention!
Please be sure to switch on the Lock button on left handlebar while using 4WD Lock.

Attention!
To LOCK the steering, please sit on the vehicle and turn the steering handlebar RIGHT or LEFT to the end and turn the key COUNTER-CLOCKWISE.
To UNLOCK the steering, turn the key CLOCKWISE.
Failing to follow the instruction will cause the lock functionless and a possible danger from a deadlock to steering.

MANUFACTURED BY: DINLI METAL IND. CO.,LTD			
GVWR: 550 Kgs (1212 lbs)	DATE OF MEG:		
GAWR:	TIRE-DIMENSION-RIM	PSI	COLD
FRONT: 250 kgs (551 lbs)	25 X 8 - 12	5.0	
REAR : 300 kgs (661 lbs)	25 X 10 - 12	4.4	

THIS VEHICLE CONFORMS TO ALL APPLICABLE U.S. FEDERAL MOTOR VEHICLE SAFETY STANDARDS (FMVSS) AND EC DIRECTIVES IN EFFECT ON THE DATE OF MANUFACTURE SHOWN ABOVE.
VEHICLE TYPE : 700 CC ATV

Item	Part no	Description	Specification	Q'ty
01	A990289-00	STYLING STICKERS		1
02	A990292-00	PLATE,LOGO	DINLI-MARK	1
03	A990295-00	STICKERS		1
04	A990296-00	STICKERS		1
05	A990297-00	STICKERS		1
06	A990298-00	STICKERS		1
07	A990299-00	STICKERS		1
08	A990300-00	STICKERS		1
09	A990301-00	STICKERS		1
10	A990302-00	STICKERS		1
11	A990303-00	STICKERS		1
12	A990304-00	STICKERS		1
13	A990305-00	STICKERS		1
14	A990306-00	STICKERS		1
15	A990307-00	STICKERS		1
16	A990308-00	STICKERS		1
17	A990309-00	STICKERS		1