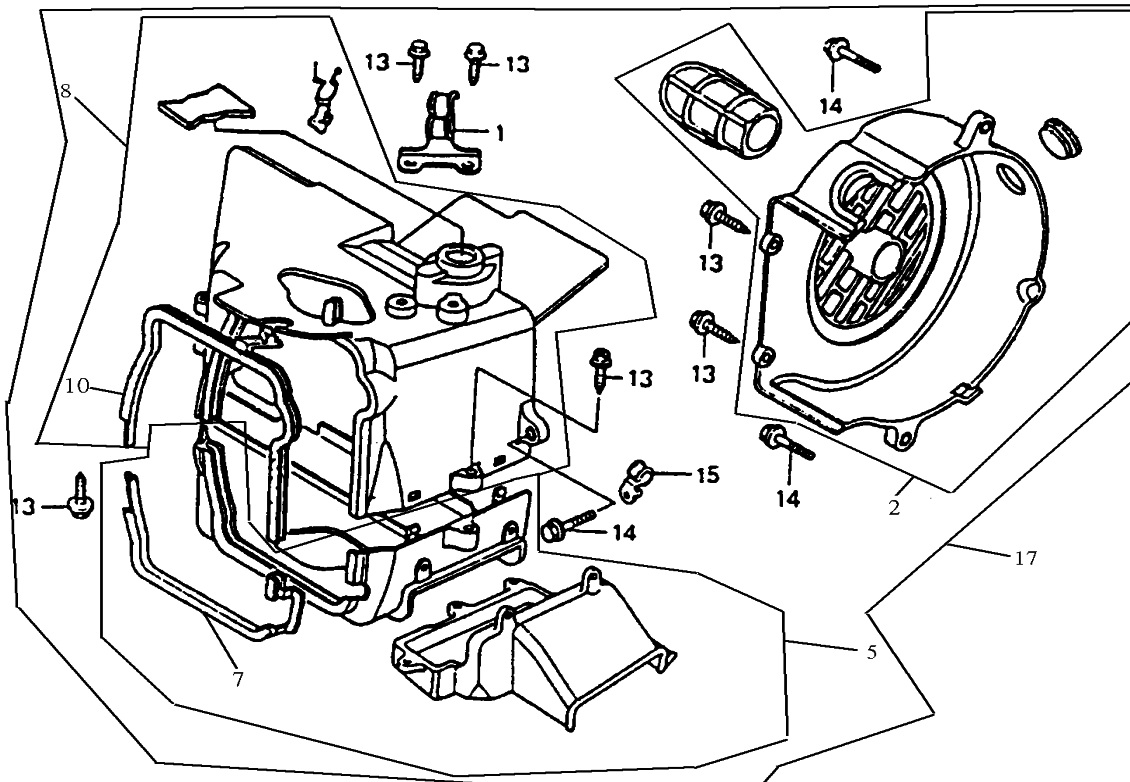
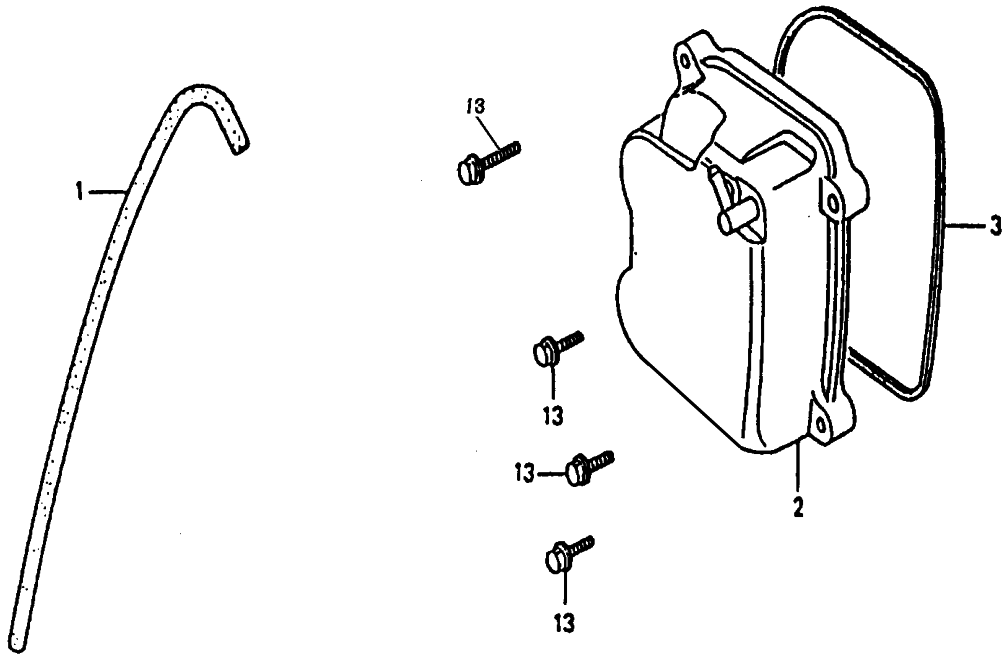


E-01 COVER, SHROUD



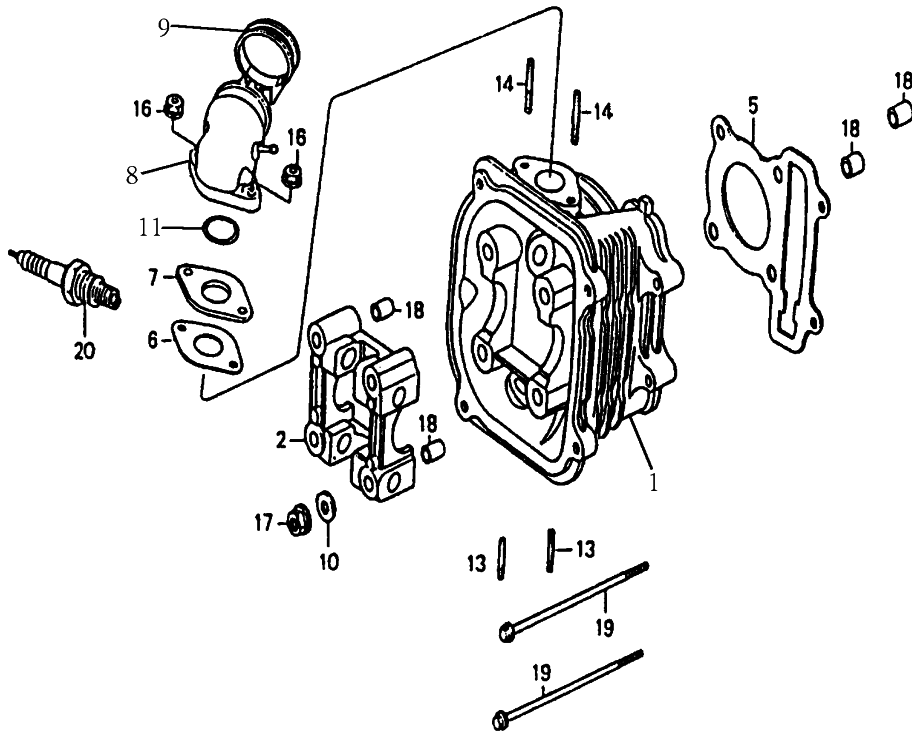
ITEM NO.	PART NO.	DESCRIPTION	Q'TY
E01-01	32204001010001	CLIP, BREATHER TUBE	1
E01-02	32204001020001	COVER, COOLING FAN	1
E01-05	32204001050001	SHROUD A	1
E01-07	32204001070001	SEAL SHROUD A	1
E01-08	32204001080001	SHROUD COMP B	1
E01-10	32204001100001	SEAL SHROUD B	1
E01-13	50100605016001	BOLT, 5X16	4
E01-14	50100606025001	BOLT, 6X25	3
E01-15	32204001150001	CLIP, DRAIN TUBE	1
E01-17	32204001170001	FAN COVER	1

E-02 CYLINDER HEAD COVER



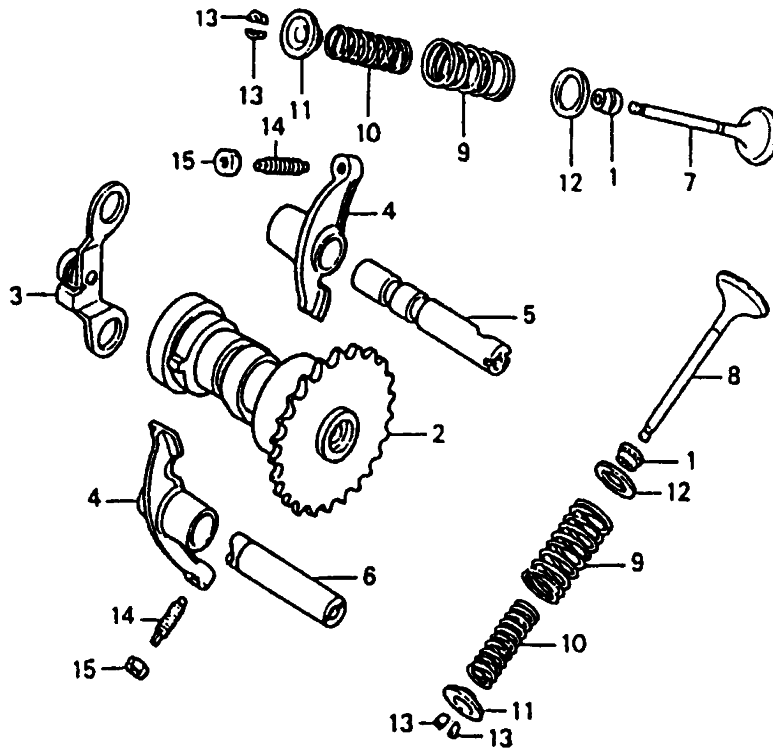
ITEM NO.	PART NO.	DESCRIPTION	Q`TY
E02-01	32204002010001	BREATH TUBE+CLIP	1
E02-02	32204002020001	COVER, CYLINDER HEAD	1
E02-03	32204002030001	PACKING, CYLINDER HEAD	1
E02-13	50100606025001	BOLT, 6X25	4

E-03 CYLINDER HEAD



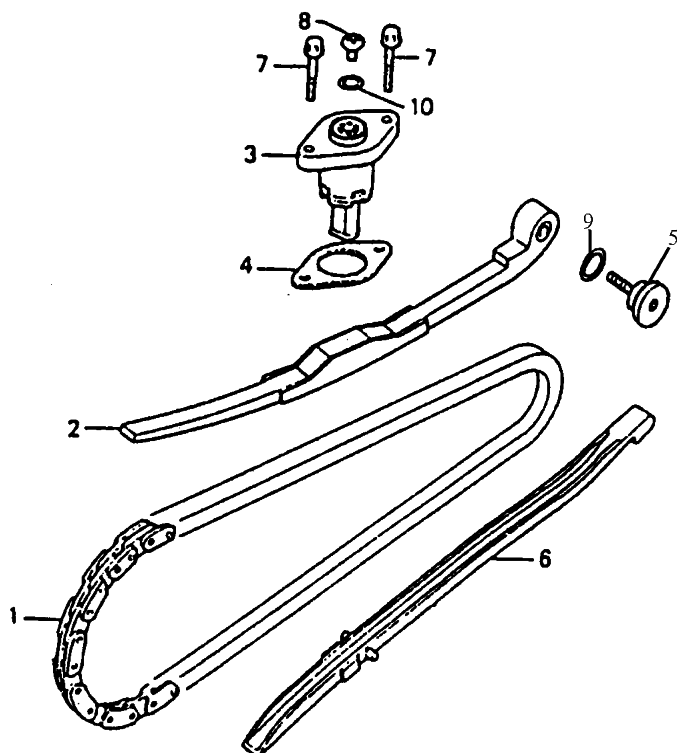
ITEM NO.	PART NO.	DESCRIPTION	Q'TY
E03-01	32204003010001	HEAD, COMP, CYLINDER	1
E03-02	32204003020001	HOLDER, CAMSHAFT	1
E03-05	32204003030001	GASKET, CYLINDER	1
E03-06	32204003040001	GASKET	1
E03-07	32204003050001	PLATE	1
E03-08	32204003060001	TUBE, INLET	1
E03-09	32204003070001	BAND INSULATOR	1
E03-10	50102000800003	WASHER, 8MM	4
E03-13	50101106035001	BOLT, STUD 6X35	2
E03-14	50101106065001	BOLT, STUD 6X65	2
E03-16	50101306100001	NUT, 6MM	2
E03-17	50101308125001	NUT, 8MM	4
E03-18	32204003080002	PIN A, DOWEL 10X14	4
E03-19	50100606100001	BOLT, 6X100	2
E03-20	32204003090001	PLUG, SPARK C7HSA	1

E-04 CAMSHAFT, VALVE



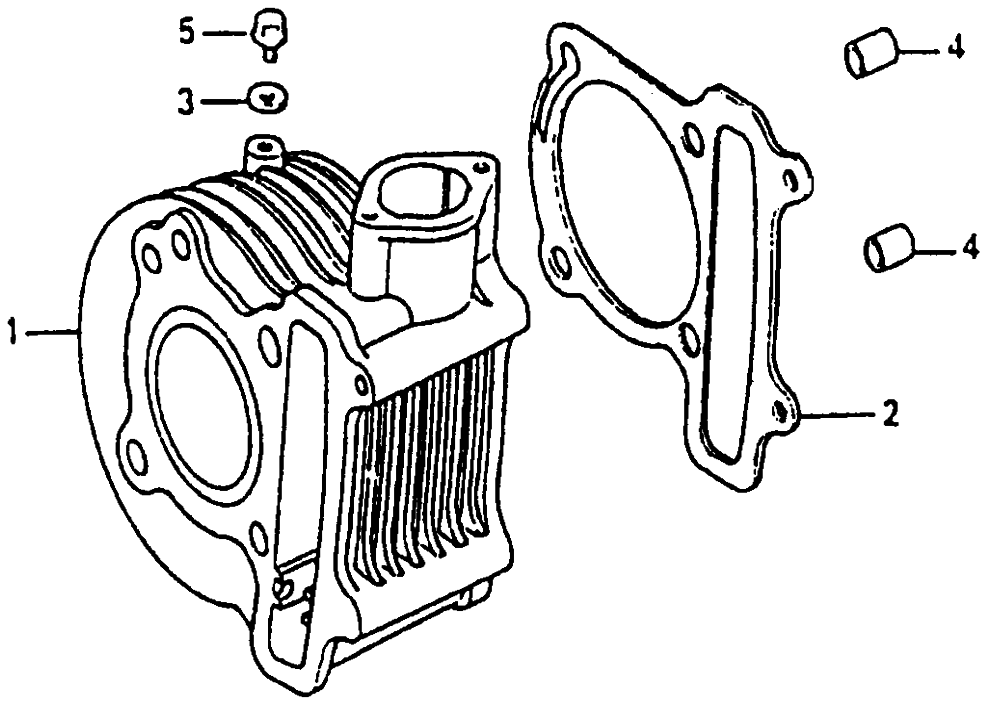
ITEM NO.	PART NO.	DESCRIPTION	Q'TY
E04-01	32204004010001	SEAL, VALVE STEM	2
E04-02	32204004020001	CAM SHAFT	1
E04-03	32204004030001	PLATE, SPRING STOPPER	1
E04-04	32204004040001	ROCKER ARM	2
E04-05	32204004050001	ROCKER ARM, SHAFT INLET	1
E04-06	32204004060001	ROCKER ARM, SHAFT EXHAUST	1
E04-07	32204004070001	VALVE, INLET	1
E04-08	32204004080001	VALVE, EXHAUST	1
E04-09	32204004090001	SPRING, VALVE OUTER	2
E04-10	32204004100001	SPRING, VALVE INNER	2
E04-11	32204004110001	SPRING HOLDER, VALVE	2
E04-12	32204004120001	SEAT, SPRING	2
E04-13	32204004130001	COTTER, PIN	4
E04-14	32204004140001	SCREW, TAPPET ADJUSTING	2
E04-15	50101205000001	NUT, TAPPET ADJUSTER	2

E-05 CAM CHAIN, TENSIONER



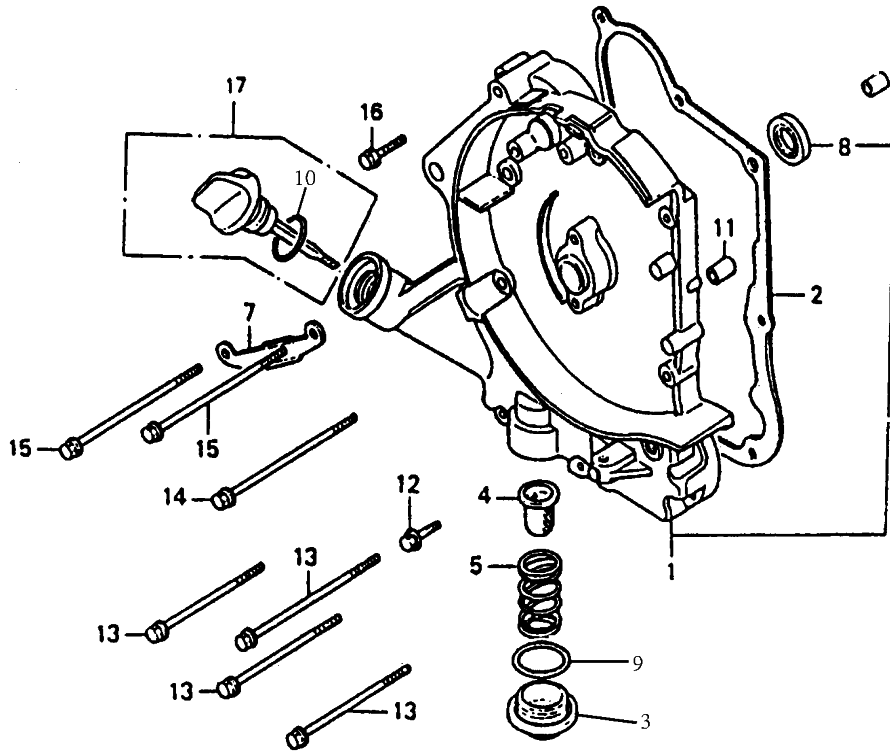
ITEM NO.	PART NO.	NAME	Q'TY
E05-01	32204005010001	CHAIN, CAMSHAFT	1
E05-02	32204005020001	LEVER, CHAIN	1
E05-03	32204005030001	CHAIN ADJUSTER	1
E05-04	32204005040001	GASKET, CHAIN ADJUSTER	1
E05-05	32204005050001	BOLT	1
E05-06	32204005060001	GUIDE, CHAIN	1
E05-07	50100606022002	BOLT, 6X22	2
E05-08	50100706006001	BOLT, 6X6	1
E05-09	50200101500001	O-RING, 15.2*1.5	1
E05-10	50200100100001	O-RING, 1.5X9.5	1

E-06 CYLINDER



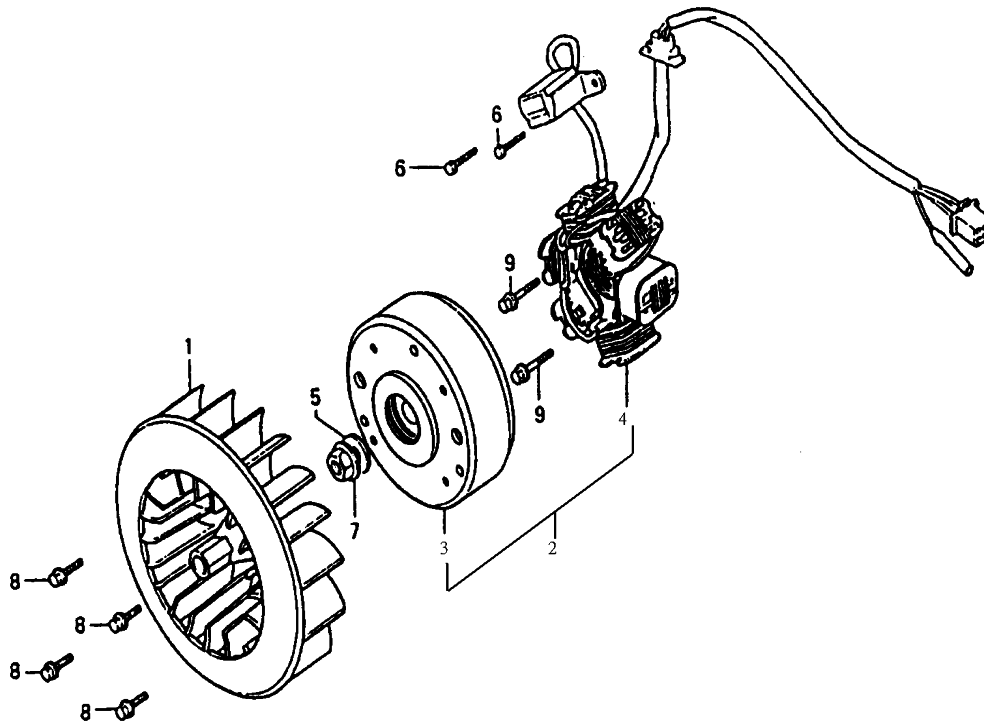
ITEM NO.	PART NO.	DESCRIPTION	Q'TY
E06-01	32204006010001	CYLINDER	1
E06-02	32204006020001	GASKET, CYLINDER	1
E06-03	50102000600006	WASHER, 6.5MM	1
E06-04	32204006040001	PIN A, DOWEL 10X14	1
E06-05	50100606012002	BOLT, 6X12	1

E-07 RIGHT CRANKCASE COVER



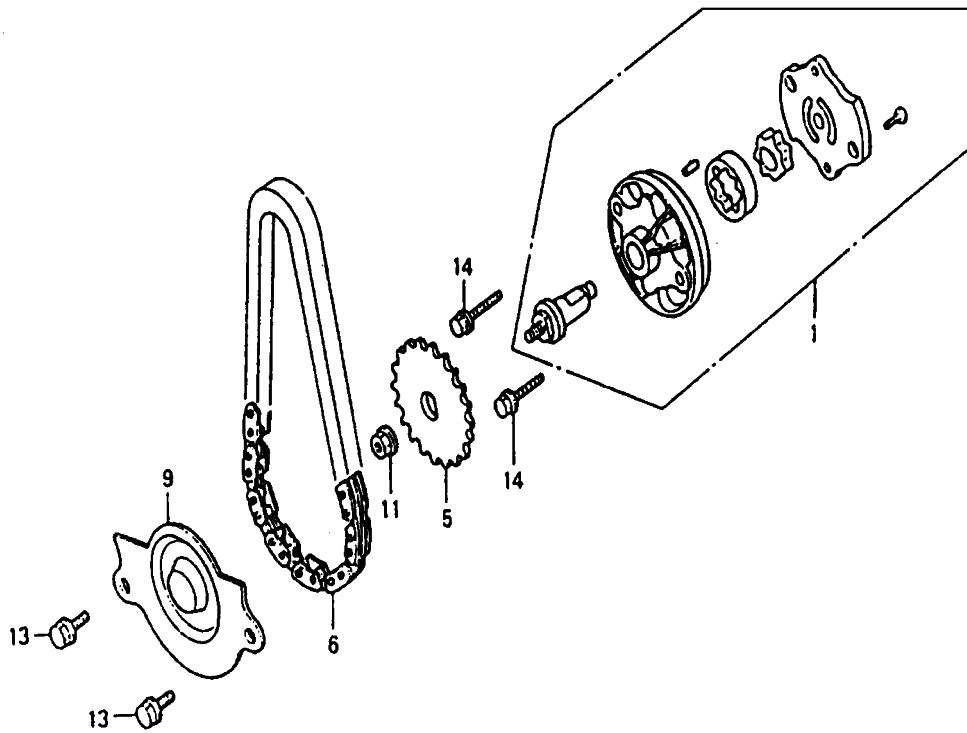
ITEM NO.	PART NO.	DESCRIPTION	Q'TY
E07-01	32204007010001	COVER, COMP., R. CRANKCASE	1
E07-02	32204007020001	GASKET, R. CRANKCASE COVER	1
E07-03	32204007030001	CAP, OIL	1
E07-04	32204007040001	OIL SCREEN	1
E07-05	32204007050001	SPRING, OIL SCREEN	1
E07-07	32204007070001	CLIP, A.C.C.	1
E07-08	50200203000001	OIL SEAL, 19.8X30X5	1
E07-09	50200103000001	O-RING,30.8MM	1
E07-10	50200101800001	O-RING,18*3MM	1
E07-11	32204007080001	PIN A, DOWEL 8X14	1
E07-12	50100606032001	BOLT, 6X32	1
E07-13	50100606095001	BOLT, 6X95	1
E07-14	50100606100001	BOLT, 6X100	1
E07-15	50100606110001	BOLT, 6X110	1
E07-16	50100606040001	BOLT, 6X40	1
E07-17	32204007090001	OIL GAUGE ASSY	1

E-08 GENERATOR



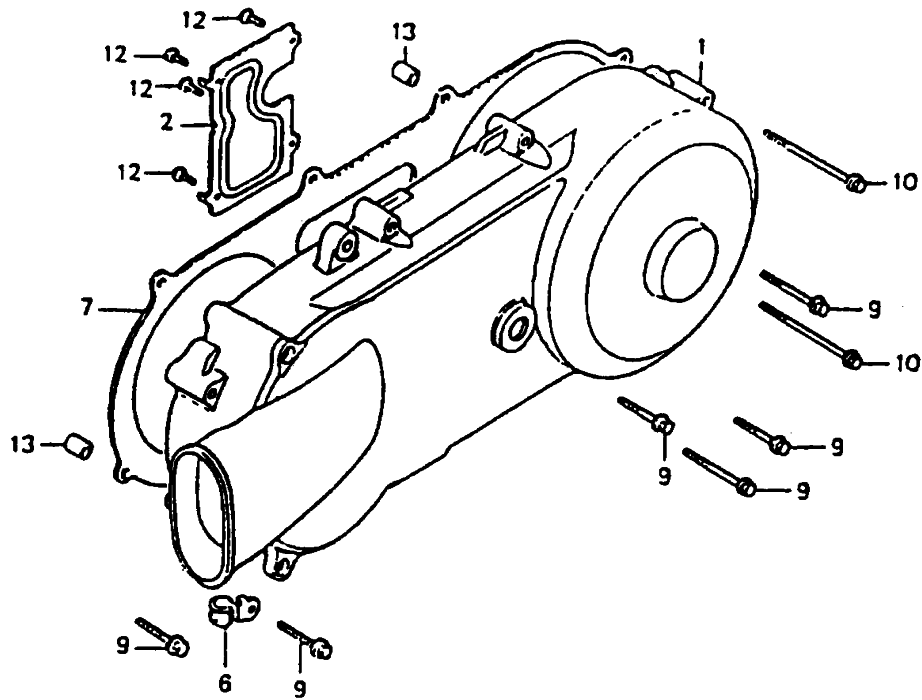
ITEM NO.	PART NO.	DESCRIPTION	Q`TY
E08-01	32204008010001	COOLING FAN	1
E08-02	32204008020001	A.C.G. ASSY	1
E08-03	32204008030001	FLYWHEEL COMP.	1
E08-04	32204008040001	STATOR COMP.	1
E08-05	50102001200006	WASHER, 12MM	1
E08-06	50100505012001	BOLT, 5X12	1
E08-07	50101312000002	NUT, 12MM	1
E08-08	50100606018001	BOLT, 6X18	1
E08-09	50100606020001	BOLT, 6X20	1

E-09 OIL PUMP



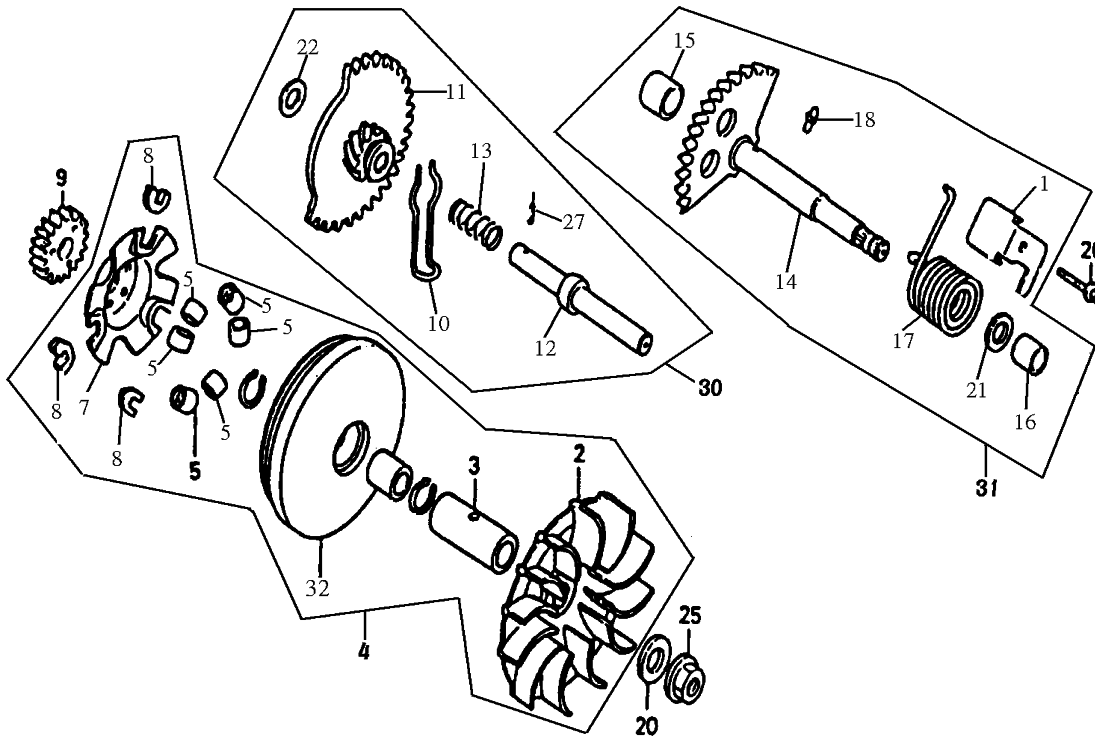
ITEM NO.	PART NO.	DESCRIPTION	Q'TY
E09-01	32204009010001	OIL PUMP ASSY	1
E09-05	32204009050001	GEAR, OIL PUMP DRIVE	1
E09-06	32204009060001	CHAIN, OIL PUMP DRIVE	1
E09-09	32204009090001	PLATE, OIL	1
E09-11	50101306100001	NUT, 6MM	1
E09-13	50100606012001	BOLT, 6X12	1
E09-14	50100606025001	BOLT, 6X25	1

E-11 LEFT CRANKCASE COVER



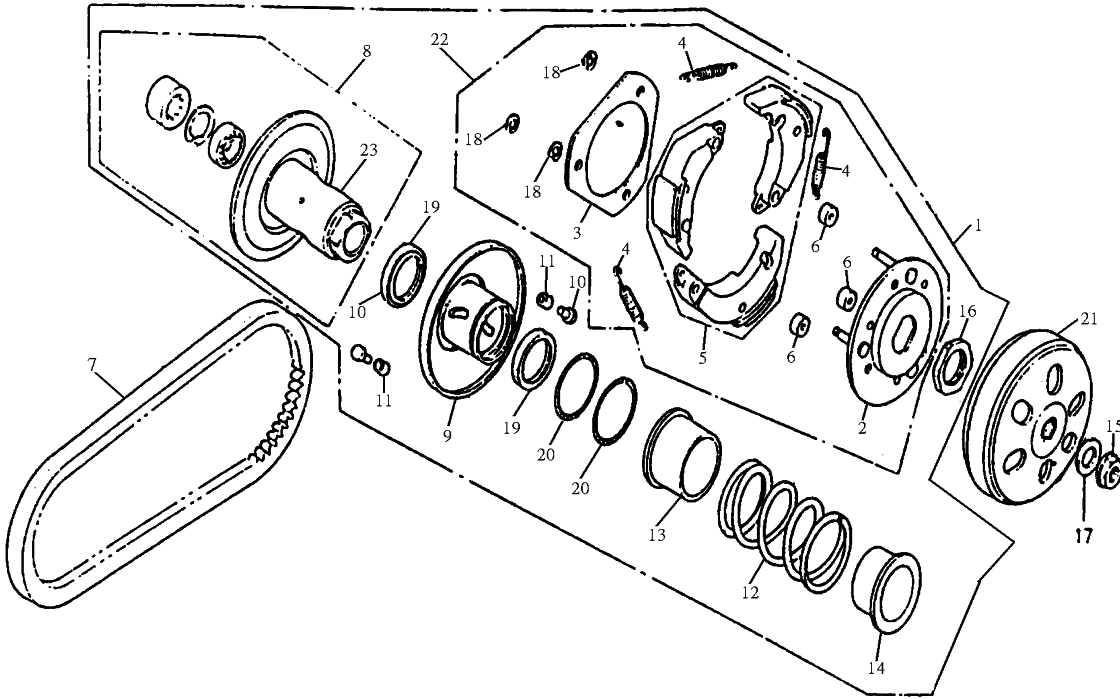
ITEM NO.	PART NO.	DESCRIPTION	Q'TY
E11-01	32204011010001	COVER, L. CRANKCASE	1
E11-02	32204011020001	GUIDE PLATE, BREATHER	1
E11-06	32204011050001	CLIP	1
E11-07	32204011060001	GASKET, LEFT CRANKCASE	1
E11-08	32204011080001	TUBE	1
E11-09	50100606040002	BOLT, 6X40	1
E11-10	50100606065001	BOLT, 6X65	1
E11-12	50100704008003	SCREW, 4X8	1
E11-13	32204011070001	PIN A, DOWEL 8X14	1

E-12 DRIVE PULLEY



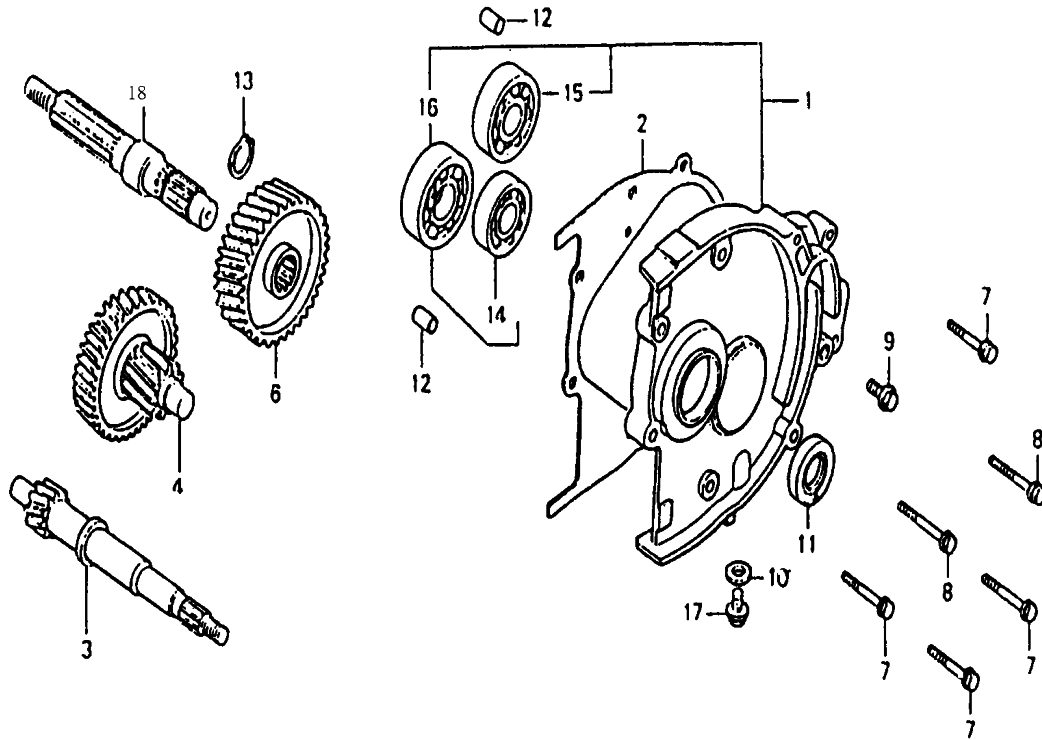
ITEM NO.	PART NO.	DESCRIPTION	Q'TY
E12-01	32204012010001	PLATE KICK STOPPER	1
E12-02	32204012020001	FACE DRIVEN	1
E12-03	32204012200001	BOSS DRIVEN FACE	1
E12-04	32204012030001	DRIVE FACE ASSY	1
E12-05	32204012040001	WEIGHT ROLLER	6
E12-07	32204012050001	PLATE RAMP	1
E12-08	32204012060001	PIECE SLIDE	3
E12-09	32204012070001	GEAR, KICK DRIVEN	1
E12-10	32204012080001	SPG FRICTION START GEAR	1
E12-11	32204012090001	GEAR COMP STARTER IDLE	1
E12-12	32204012100001	SHAFT IDLE STARTER	1
E12-13	32204012110001	SPG STARTER IDLE	1
E12-14	32204012120001	SPINDLE COMP KICK START	1
E12-15	32204012210001	BUSH 12*16*12	1
E12-16	32204012220001	BUSH B KICK SPINDLE	1
E12-17	32204012130001	SPG KICK STARTER	1
E12-18	32204012140001	PIN SPECIAL 4.5MM	1
E12-20	50102001200007	WASHER, PLAIN 12..2X29X2.5	1
E12-21	50102001400003	WASHER 14MM	1
E12-22	50102001200008	WASHER 12.5MM	1
E12-25	50101212000001	NUT, FLANGE 12MM	1
E12-26	50100606014001	BOLT, FLANGE 6X14MM	1
E12-27	32204012150001	ROLLE 3*8.5	1
E12-30	32204012180001	GEAR ASSY,STARTER IDLE	1
E12-31	32204012190001	GEAR ASSY,STARTER	1

E-13 DRIVE PULLEY



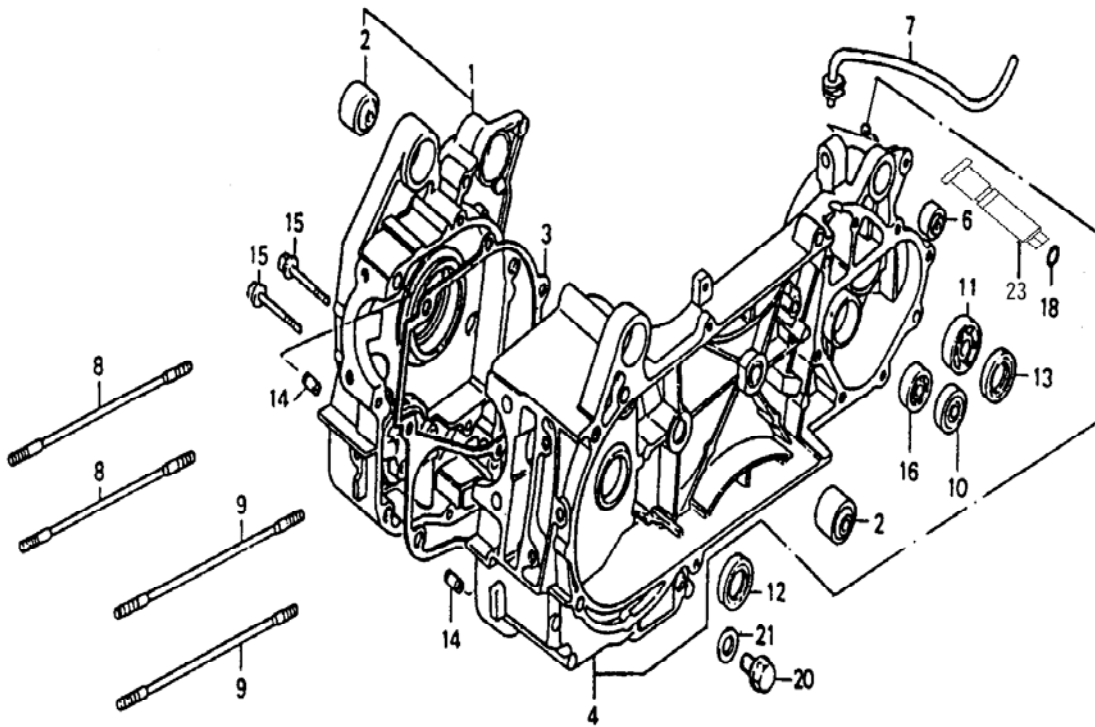
ITEM NO.	PART NO.	DESCRIPTION	Q'TY
E13-01	32204013010001	DRIVEN PULLEY ASSY	1
E13-02	32204013020001	PLATE COMP DRIVEN	1
E13-03	32204013030001	PLATE CLUTCH SIDE	1
E13-04	32204013040001	SPG CLUTCH	1
E13-05	32204013050001	WEIGHT SET CLUTCH	1
E13-06	32204013060001	RUBB CLUTCH	1
E13-07	32204013070001	BELT, DRIVE	1
E13-08	32204013080001	FACE ASSY DRIVEN	1
E13-09	32204013090001	FACE MOVABLE DRIVEN	1
E13-10	32204013100001	ROLLER GUIDE	3
E13-11	32204013011001	PIN ROLLER GUIDE	3
E13-12	32204013012001	SPG DRIVEN FACE	1
E13-13	32204013013001	COLLAR SEAL	1
E13-14	32204013014001	COLLAR SPG	1
E13-15	50101312000001	NUT, COMPRESSOR4 FLANGE 12MM	1
E13-16	32204013200001	NUT SPEACIAL 28MM	1
E13-17	50102001200009	WASHER, PLAIN 12.2X29X2.5	1
E13-18	32204013015001	CIR CLIP 7MM	3
E13-19	50200204100001	SEAL DRIVEN FACE 34*41*4	2
E13-20	50200106400001	O-RING PINION CAP	2
E13-21	32204013160001	OUTER, CLUTCH	1
E13-22	32204013170001	PLATE ASSY DRIVEN	1
E13-23	32204013180001	FACE COMP DRIVEN	1

E-14 TRANSMISSION



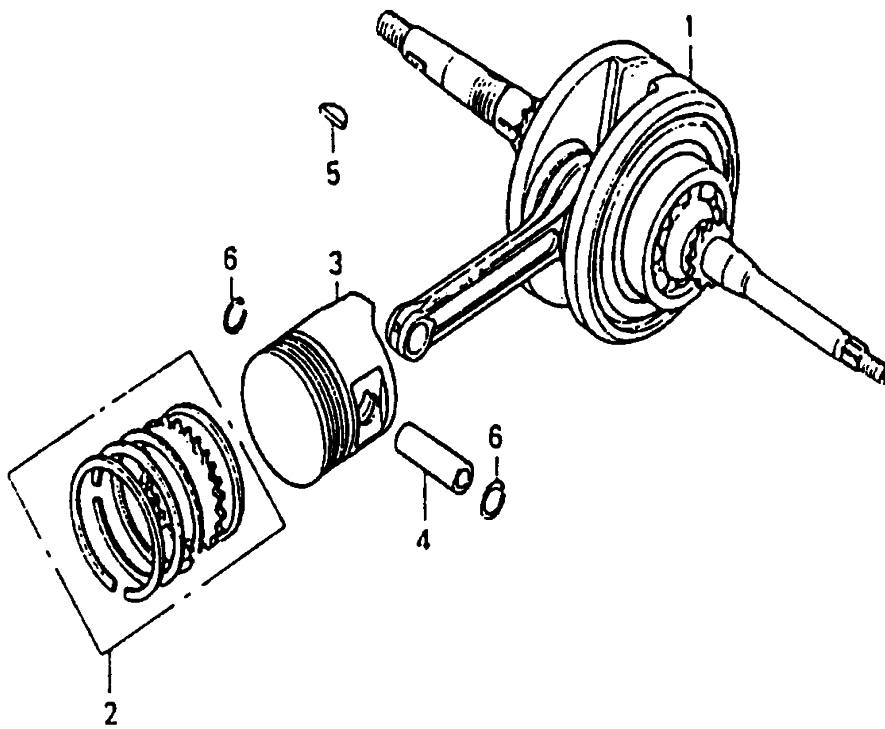
ITEM NO.	PART NO.	DESCRIPTION	Q'TY
E14-01	32204014010001	COVER, MISSION ASSY	1
E14-02	32204014020001	GASKET, MISSION COVER	1
E14-03	32204014030001	SHAFT, DRIVE	1
E14-04	32204014040001	COUNTERSHAFT COMP	1
E14-06	32204014060001	SHAFT, FINAL GEAR	1
E14-07	50100606028001	BOLT, FLANGE 6X28	1
E14-08	50100606035002	BOLT, FLANGE 6X35	1
E14-09	50102708011001	BOLT, SPECIAL 8MM	1
E14-10	50102000800004	WASHER, 8MM	1
E14-11	50200203200001	OIL SEAL 20X32X6	1
E14-12	32204014070001	PIN DOWEL 8X14	1
E14-13	32204014080001	GIR CLIP EXTERNAL 20MM	1
E14-14	50300101500004	BEARING RADIAL BALL 6202	1
E14-15	50300101700001	BEARING RADIAL BALL 6203	1
E14-16	50300102000004	BEARING RADIAL BALL 6204	1
E14-17	50102708012001	BOLT FLANGE 8X12	1
E14-18	32204014090001	FINAL GEAR SHAFT	1

E-15 CRANKCASE



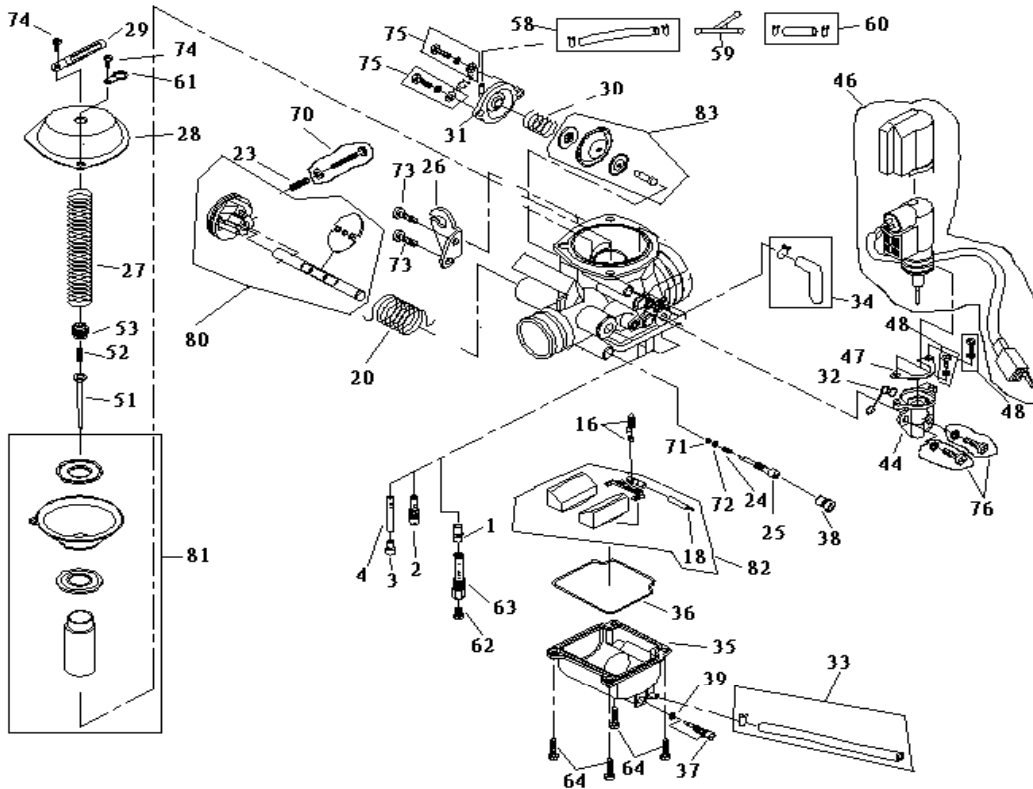
ITEM NO.	PART NO.	DESCRIPTION	Q'TY
E15-01	32204015010001	RIGHT CRANK CASE ASSY	1
E15-02	32204015020001	RUBBER BUSH	1
E15-03	32204015030001	GASKET, CRANK CASE	1
E15-04	32204015040001	LEFT CRANK CASE ASSY	1
E15-07	32204015070001	BREATHER TUBE	1
E15-08	50101108187001	STUD BOLT 8X187.5	1
E15-09	50101108195001	STUD BOLT 8X195.5	1
E15-10	50300101200002	BEARING 6301	1
E15-11	50300102000005	BEARING 6004uu	1
E15-12	50200203000001	OIL SEAL 19.8X30X5	1
E15-13	50200204200001	OIL SEAL 27X42X7	1
E15-14	32204015080001	DOWEL PIN 8X14	1
E15-15	50100606050001	FLANGE BOLT 6X50	1
E15-16	50300101500005	BEARING RADIAL BALL 6202	1
E15-20	50100612015002	BOLT DRAIN PLUG 12MM	1
E15-21	50102001200004	WASHER DRAIN PLUG 12MM	1
E15-23	32204015120001	BOLT	1

E-16 CRANKSHAFT, PISTON



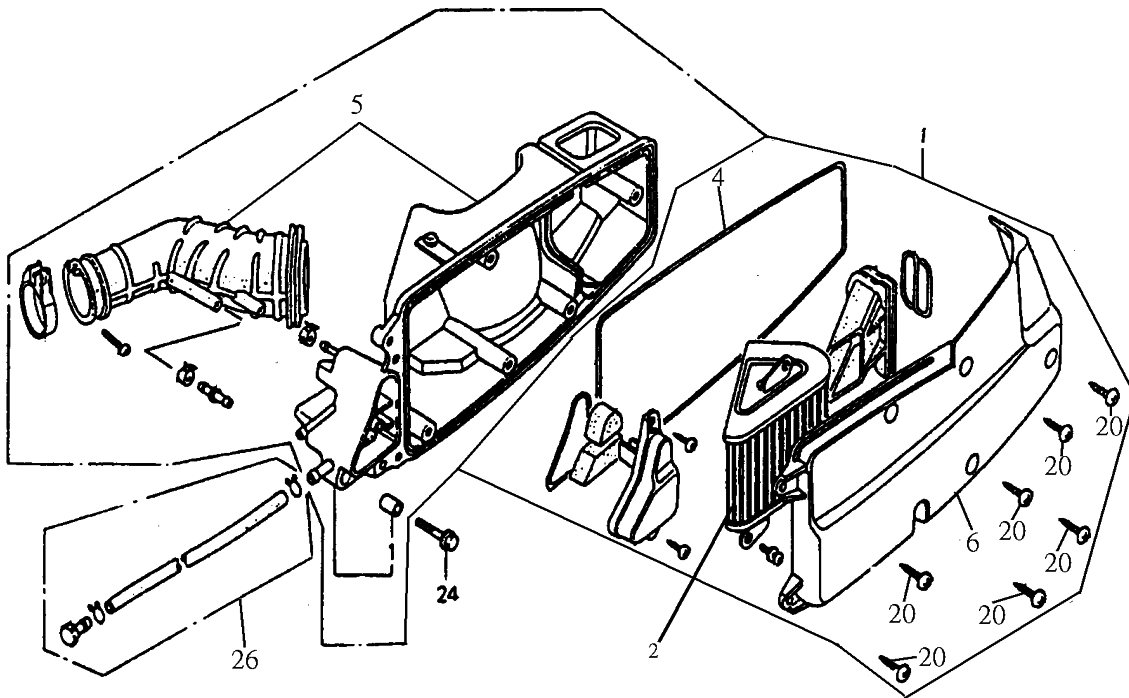
ITEM NO.	PART NO.	DESCRIPTION	Q'TY
E16-01	32204016010001	CRANKSHAFT COMP.	1
E16-02	32204016020001	RING PISTON ASSY	1
E16-03	32204016030001	PISTON	1
E16-04	32204016040001	PIN, PISTON	1
E16-05	32204016050001	WOODRUFF KEY	1
E16-06	32204016060001	PIN, PISTON CLIP	1

E-17 CARBURATOR



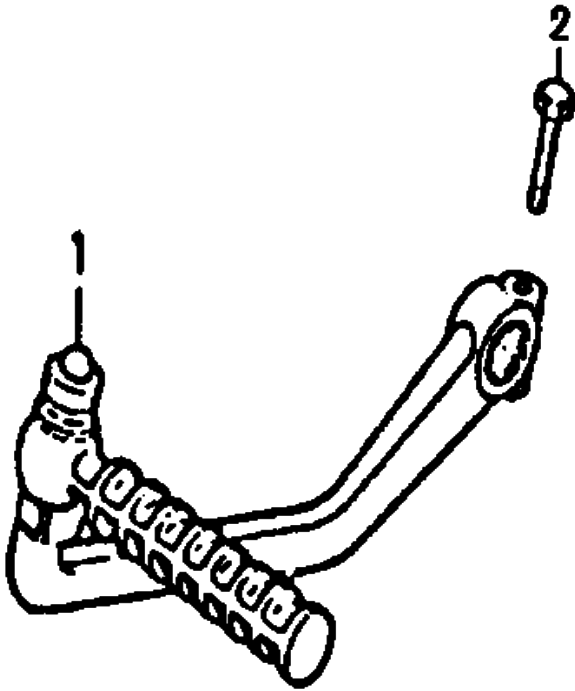
ITEM NO.	PART NO.	DESCRIPTION	Q`TY
E17-01	33204001030001	NEEDLE SEAT	1
E17-16	33204002040001	NEEDLE VALVE	1
E17-35	33204002010001	FLOAT CHAMBER	1
E17-46	33204006050001	AUTO CHOKE	1
E17-51	33204004030001	NEEDLE	1
E17-59	33204007040001	Y JOINT	1
E17-62	33204001100001	MAIN JET	1
E17-63	33204001020001	MAIN JET HOLDER	1
E17-71	50200100200001	O - RING	1
E17-72	50102000300001	WASHER	1
E17-74	50100704008002	SCREW	1
E17-78	32204017010001	CARBURETOR	1
E17-81	33204004110001	SPRING SEAT , ASSY	1

E-18 AIR CLEANER



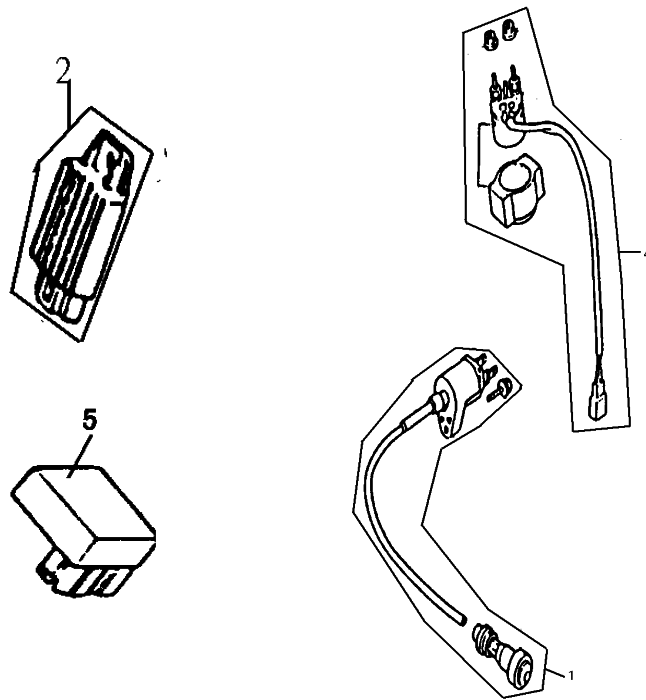
ITEM NO.	PART NO.	DESCRIPTION	Q'TY
E18-01	32204021240001	AIR CLEANER	1
E18-02	32204018090001	FILTER, AIR CLEANER	1
E18-04	32204018100001	SEAL AIR/C COVER	1
E18-05	32204018110001	CASE ASSY AIR/C	1
E18-06	32204018120001	COVER AIR/C	1
E18-24	50100606028002	BOLT, 6X28	1
E18-26	32204018130001	TUBE DRAIN ASSY	1

E-19 KICK STARTER ARM



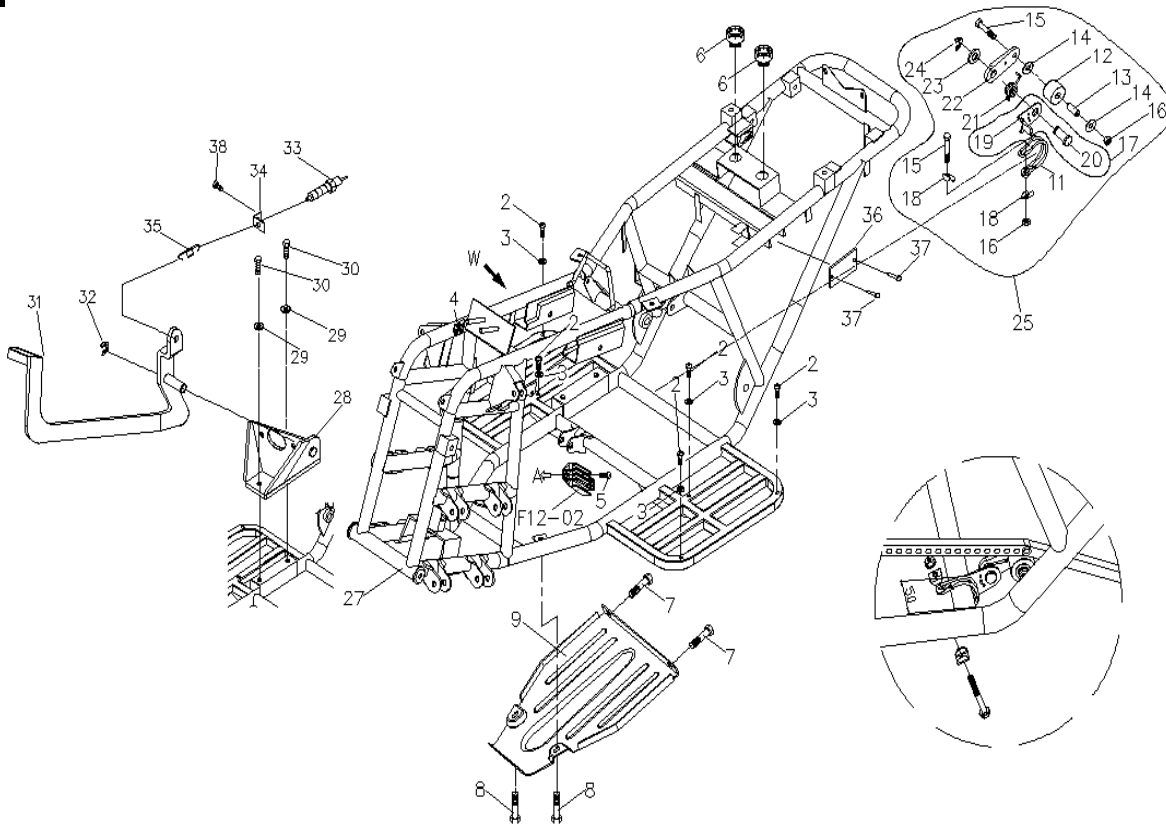
ITEM NO.	PART NO.	DESCRIPTION	Q'TY
E19-01	32204023010001	ARM, ASSY, KICK STARTER	1
E19-02	50100506022001	BOLT, 6X22	1

E-20 WIRE HARNESS



ITEM NO.	PART NO.	DESCRIPTION	Q'TY
E20-01	32204024010001	COIL COMP., (C.D.I.)IGN	1
E20-02	32204024020001	REG. RECT. COMP.	1
E20-04	32204024040001	SWITCH ASSY, STARTER MAG.	1
E20-05	32204020010001	UNIT ASSY, C.D.I.	1

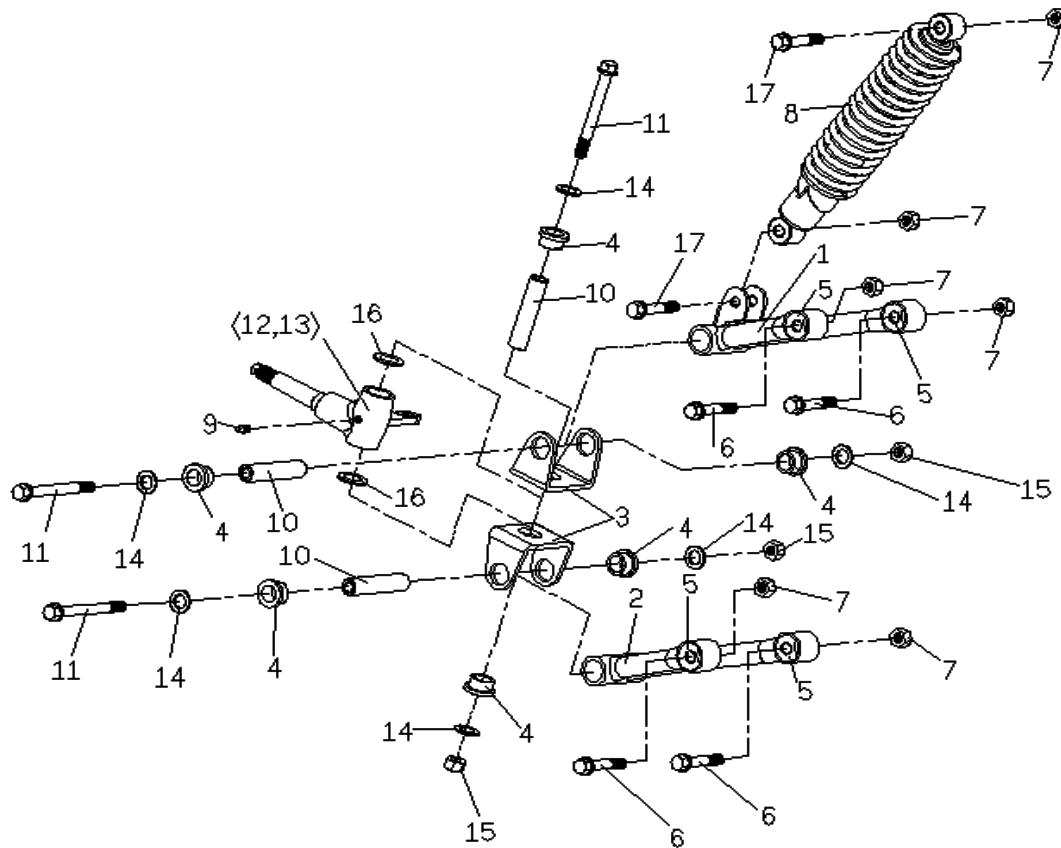
F-01 FRAME



ITEM NO.	PART NO.	DESCRIPTION	SIZE	Q'TY
F01-02	50100206016001	BOLT	M6*1.0*16L	6
F01-03	50102000600001	WASHER		6
F01-04	50102705020001	BOLT	M5*0.8*20L	1
F01-05	50102706016003	BOLT	M6*1.0*16L	1
F01-06	31104001020001	RUBBER, SEAT		2
F01-07	50102708016001	BOLT	M8*1.25*16L	2
F01-08	50102708012002	BOLT	M8*1.25*12L	2
F01-09	31104001030001	COVER, EXHAUST PIPE		1
F01-11	31104001050002	HOLDER, CHAIN	FB049A04	1
F01-12	31106001180001	ROLLER	FA020A03	1
F01-13	31106001190001	COLLAR	FA481A04	1
F01-14	50102000600012	WASHER	φ6*φ18*1t	2
F01-15	50100606045001	BOLT	M6*1.0*45L	2
F01-16	50101206100001	NUT	M6*1.0	2
F01-17	31106001250001	HOLDER, CHAIN ASSY		1
F01-18	31104001080001	WASHER		2
F01-19	31106001210001	HOLDER, CHAIN		1
F01-20	31106001220001	PIN		1
F01-21	31106001230001	SPRING		1
F01-22	31106001240001	ROLLER ARM		1
F01-23	50102001000007	WASHER	φ10*φ20*2t	1
F01-24	50101700900001	E CLIP	φ9*φ18*0.9t	1
F01-25	31104001070001	CHAIN TENSIONER ASSY		1
F01-27	31104001090001	FRAME		1
F01-28	31104001100001	PLATE, BRAKE PUMP		1
F01-29	50102000800002	WASHER	8*13*1t	2
F01-30	50102708025001	BOLT	M8*1.25*25	2
F01-31	31104001120001	PADDLE, BRAKE		1
F01-32	50101701500001	E CLIP	15*29*1.6t	1
F01-33	31106007380001	STOP LIGHT SWITCH		1
F01-34	31104001140001	PLATE , STOP LIGHT SWITCH		1

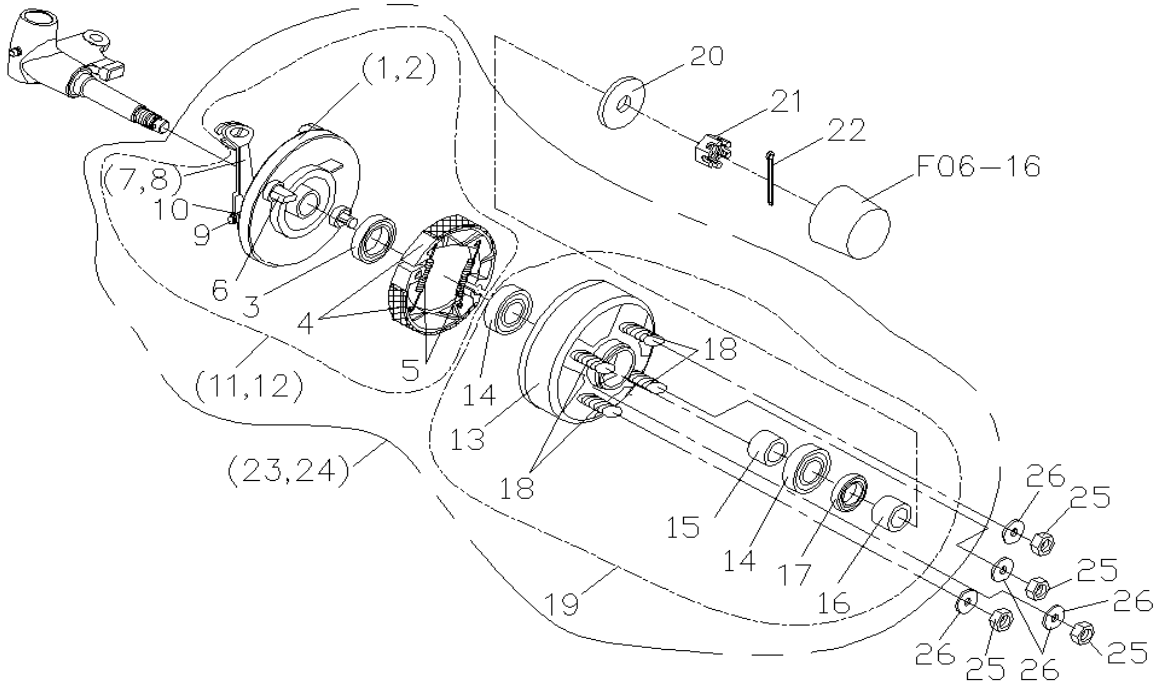
F01-35	31104001130001	SPRING		1
F01-37	50103603006001	RIVET	ψ3*6.5	2
F01-38	50102706010001	BOLT	M6*P1.0*S10	1

F-02 A ARM



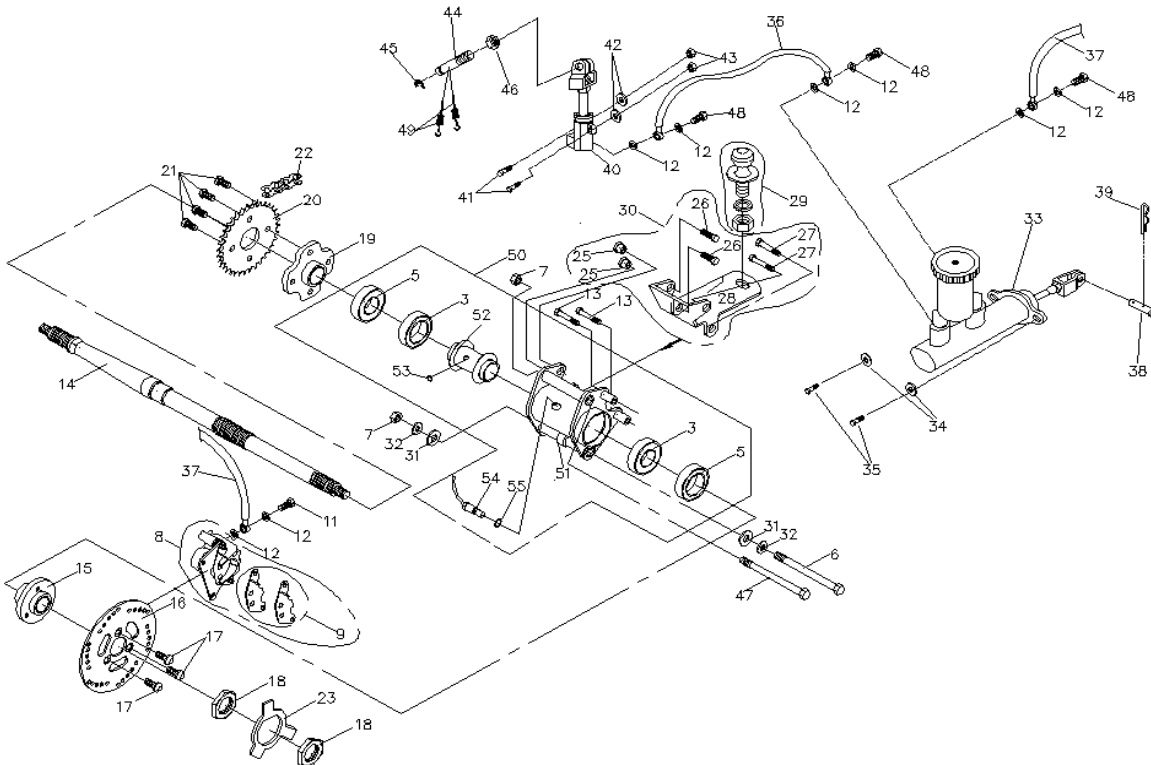
ITEM NO.	PART NO.	DESCRIPTION	SIZE	Q'TY
F02-01	31104002070001	A ARM, UPPER		2
F02-02	31104002080001	A ARM, LOWER		2
F02-03	31104002090001	HOLDER, KNUCKLE		4
F02-04	31104002100001	BUSH		12
F02-05	31104002050001	RUBBER BUSH	ψ10*ψ28.1*27*29	8
F02-06	50100610050002	BOLT	M10*1.25*50L*S27	8
F02-07	50101210125001	NUT	M10*1.25(NYLON)	12
F02-08	31104002110001	CUSHION, FRONT	295L	2
F02-09	31106004040001	GREASE LALVE	M6*1.0	6
F02-10	31104002120001	COLLAR	ψ10*ψ17*78.2	6
F02-11	50100610095001	BOLT	M10*1.25*95L*20S	6
F02-12	31104002130001	KNUCKLE,LEFT		1
F02-13	31104002140001	KNUCKLE,RIGHT		1
F02-14	50102001000006	WASHER	ψ10*ψ26*2t	12
F02-15	50101510125004	U-NUT	M10*1.25(U-NUT)	6
F02-16	50102102300003	GASKET, FRICTION	ψ23*ψ30*1t	4
F02-17	50102710042003	BOLT	M10*P1.25*42*28L	4

F-03 FRONT BRAKE



ITEM NO.	PART NO.	DESCRIPTION	SIZE	Q'TY
F03-01	31104003170001	BRAKE PANEL,FRONT LEFT		1
F03-02	31104003180001	BRAKE PANEL,FRONT RIGHT		1
F03-03	50200205200002	OIL SEAL	ψ52*ψ40*6	2
F03-04	31104003190001	BRAKE SHOE	ψ110*25	2
F03-05	31104003200001	SPRING		4
F03-06	31104003210001	CAM, FRONT BRAKE ARM		2
F03-07	31104003220001	ARM, FRONT BRAKE,LEFT		1
F03-08	31104003230001	ARM, FRONT BRAKE,RIGHT		1
F03-09	50100506030001	BOLT	M6*1.0*30L	2
F03-10	50101506100001	NUT(NYLON)	M6*1.0(NYLON)	2
F03-11	31104003240001	BRAKE PANEL, LEFT		1
F03-12	31104003250001	BRAKE PANEL, RIGHT		1
F03-13	31104003260001	BRAKE DRUM, FRONT		2
F03-14	50300101700004	BEARING, 6003ZE	ψ35*ψ17*10	4
F03-15	31104003280001	COLLAR, INNER	ψ17.5*ψ22*28.5	2
F03-16	31104003280001	COLLAR, OUTER	ψ17*ψ23*8	2
F03-17	50200203500003	OIL SEAL	ψ35*ψ23*6	2
F03-18	50102810025001	BOLT	M10*1.25*25L	8
F03-19	31104003290001	BRAKE DRUM, FRONT,COMP		2
F03-20	50102001400008	WASHER	ψ40*ψ14.3*2t	2
F03-21	50102214150002	CASTLE NUT	M14*1.5* 22	2
F03-22	50103303025001	COTTER PIN	ψ3*25	2
F03-23	31104003300001	BRAKE DRUM, FRONT		1
F03-24	31104003330001	BRAKE DRUM, FRONT		1
F03-25	50101410125001	NUT	M10*1.25	8
F03-26	50102001000004	WASHER	ψ10*ψ17	8

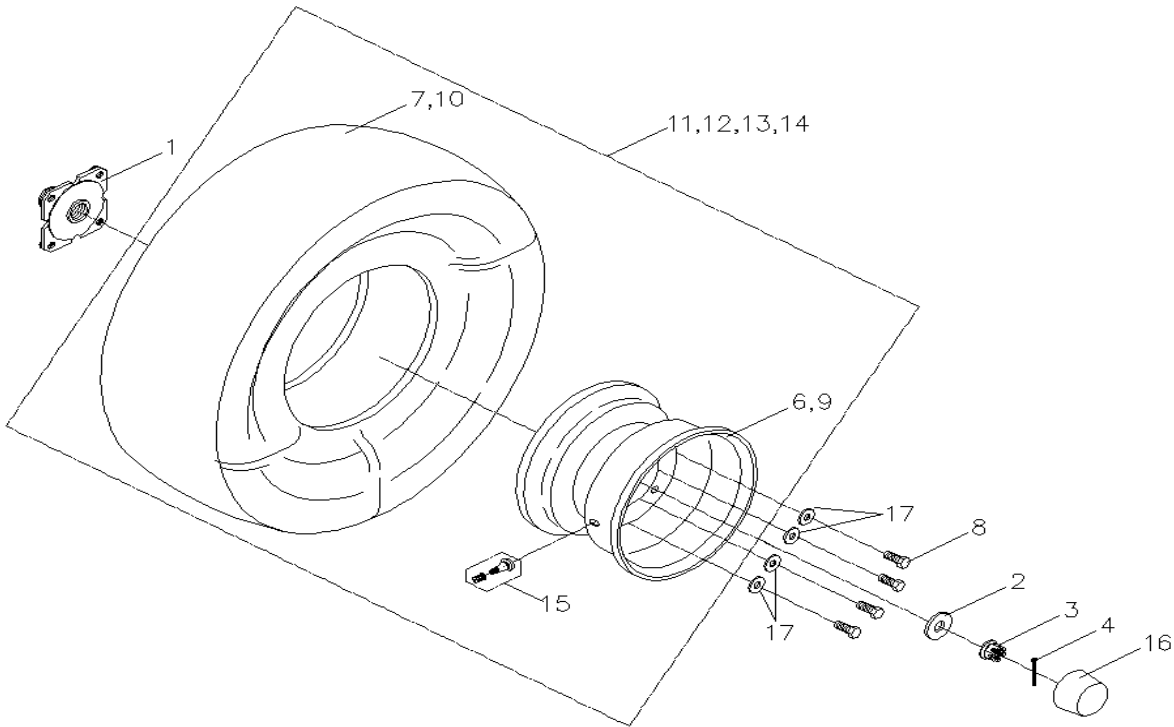
F-05 REAR BRAKE AXLE



ITEM NO.	PART NO.	DESCRIPTION	SIZE	Q'TY
F05-01	31104005010002	BEARING SEAT, REAR AXLE	FB306A01	1
F05-02	31104005020001	INNER SPACER	FB302A01	1
F05-03	50300103200001	BEARING	ψ65*ψ32*17	2
F05-05	50200206500001	OIL SEAL	ψ65*ψ42	2
F05-06	50120712145001	BOLT	M12*1.25*145L*20S	1
F05-07	50101412125002	U-NUT	M12*1.25...U-NUT	2
F05-08	31104005030002	BRAKE CLIPPER, REAR		1
F05-09	31104005040001	BRAKE PAD SET		2
F05-11	31104005120001	BOLT	M10*1.25*22	1
F05-12	50102001000003	WASHER	ψ10*ψ15*1.5t	8
F05-13	50102708046002	BOLT	M8*1.25*46L*10S	2
F05-14	31104005060001	REAR AXLE		1
F05-15	31104005070001	HUB		1
F05-16	31104005080001	BRAKE DISC	ψ180*ψ41*4t	1
F05-17	50100210015001	BOLT	M10*1.25*16....	3
F05-18	50101230105001	NUT	M30*1.5*10t	2
F05-19	31104005090001	SPROCKET HOLDER		1
F05-20	31104005100001	SPROCKET	1/2"(428)-34T	1
F05-21	50102710018003	BOLT	M10*1.25*18L	4
F05-22	31104005110002	DRIVE CHAIN	1/2"(428H)88.	1
F05-23	50102003000001	WASHER		1
F05-24	31104005130001	REAR AXLE HOLDER COMP		1
F05-25	31104005150001	NUT		2
F05-26	50102708025002	BOLT	M8*1.25*25L	2
F05-27	50102708050001	BOLT	M8*1.25*50L	2
F05-28	31104005140001	TRAILER BRACKET		1
F05-29	31106005230001	BALL JOINT		1
F05-30	31104005160001	BALL JOINT ASSY		1
F05-31	50102001900002	WASHER	ψ19*ψ30*3t	2
F05-32	50102001200007	WASHER	ψ12*ψ29*2t	2
F05-33	31104005180001	BLAKE BUMP		1
F05-34	50102000800002	WASHER8*.13	2

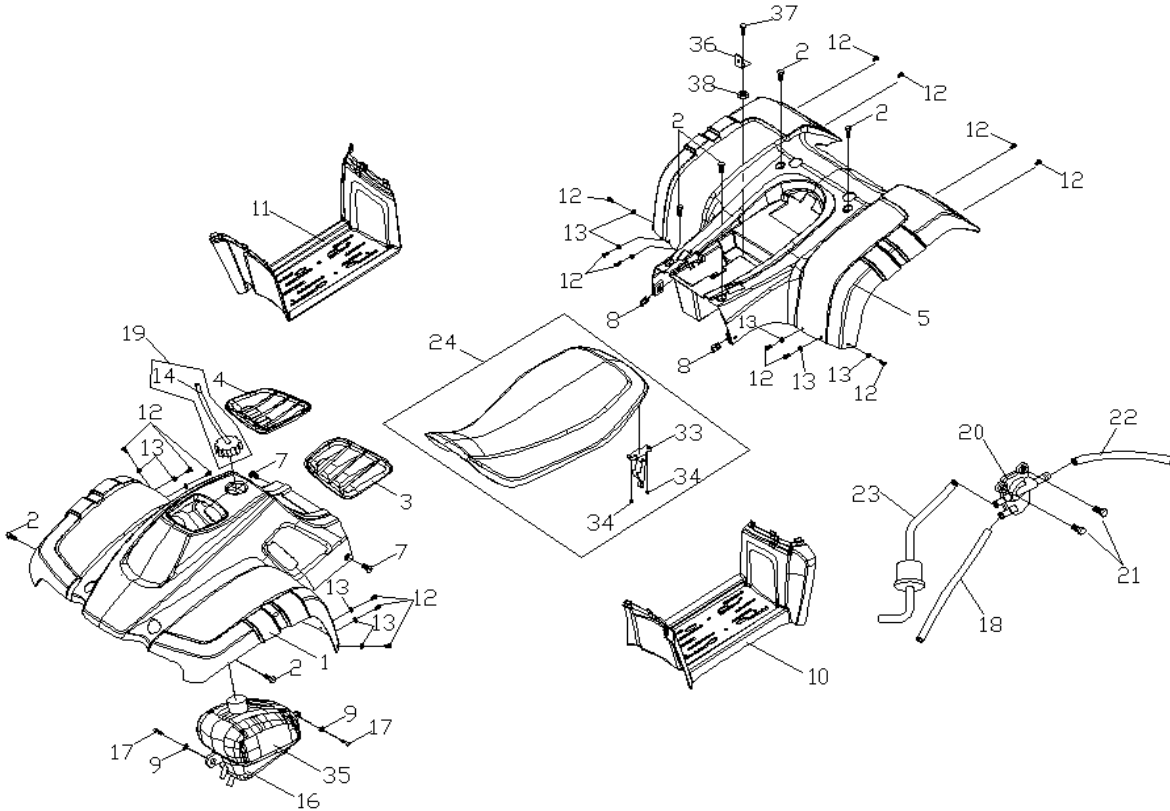
F05-35	50102708028001	BOLT	M8*1.25*28	2
F05-36	31104005190001	BLAKE TUBE FRONT		1
F05-37	31104005200001	BLAKE TUBE REAR		1
F05-38	31104005170001	PIN	ψ8*32	1
F05-39	31106005140001	COTTER PIN	ψ1*3R	1
F05-40	31104005290001	SIDE BRAKE PUMP, FRONT		1
F05-41	50102710030002	BOLT	M10*1.25*30	2
F05-42	50102001000006	WASHER	10*26*2t	2
F05-43	50101510125004	U-NUT	M10*1.25(U-NUT)	2
F05-44	31104005310001	PUSH PIN		1
F05-45	50101700600001	E CLIP	6*12*0.8t	1
F05-46	50101208125005	NUT	M8*1.25 ..12mm	1
F05-47	50100412142001	BOLT	M12*1.25*142L*17S	1
F05-48	31104005210001	BOLT	M10*1.0*19	3
F05-49	31104005220001	WASHER		2
F05-50	31104005130002	BEARING SEAT, REAR AXLE ASSY		1
F05-51	31104005010003	BEARING SEAT, REAR AXLE		1
F05-52	31104005020002	COLLAR(FOR SPEEDOMETER)		1
F05-53	50102408002001	MAGNET	ψ8*t2	1
F05-54	31104005320001	SENSOR		1
F05-55	50200101200001	O-RING	ψ12*ψ14*ψ1	1

F-06 WHEEL



ITEM NO.	PART NO.	DESCRIPTION	SIZE	Q'TY
F06-01	31104006030001	SHAFT CONNECTOR		2
F06-02	50102001600001	WASHER	$\psi 16.2 \times \psi 40 \times 4t$	2
F06-03	50102216150003	CASTLE NUT	M16*1.5	2
F06-04	50103303030001	COTTER PIN	$\psi 3 \times 30$	2
F06-06	31104006100001	WHEEL RIM, FRONT	10" * 5.5"	2
F06-07	31104006120001	FRONT TIRE	21" * 7" * 10"	2
F06-08	50102710020001	BOLT	M10*1.25*20	8
F06-09	31104006020001	WHEEL RIM, REAR	8" * 8"	2
F06-10	31104006130001	REAR TIRE	22" * 10" * 8"	2
F06-11	31104006110001	FRONT L. WHEEL ASSY(6~7,15)	21" * 7" * 10"	1
F06-12	31104006140001	REAR L. WHEEL ASSY(9~10,15)	22" * 10" * 8"	1
F06-13	31104006110002	FRONT R. WHEEL ASSY(6~7,15)	21" * 7" * 10"	1
F06-14	31104006140002	REAR R. WHEEL ASSY(9~10,15)	22" * 10" * 8"	1
F06-15	31106006110001	AIR VALVE	TR-412	4
F06-16	31104003110001	RUBBER CAP, WHEEL		4
F06-17	50102001000004	WASHER	$\psi 10 \times \psi 17$	8

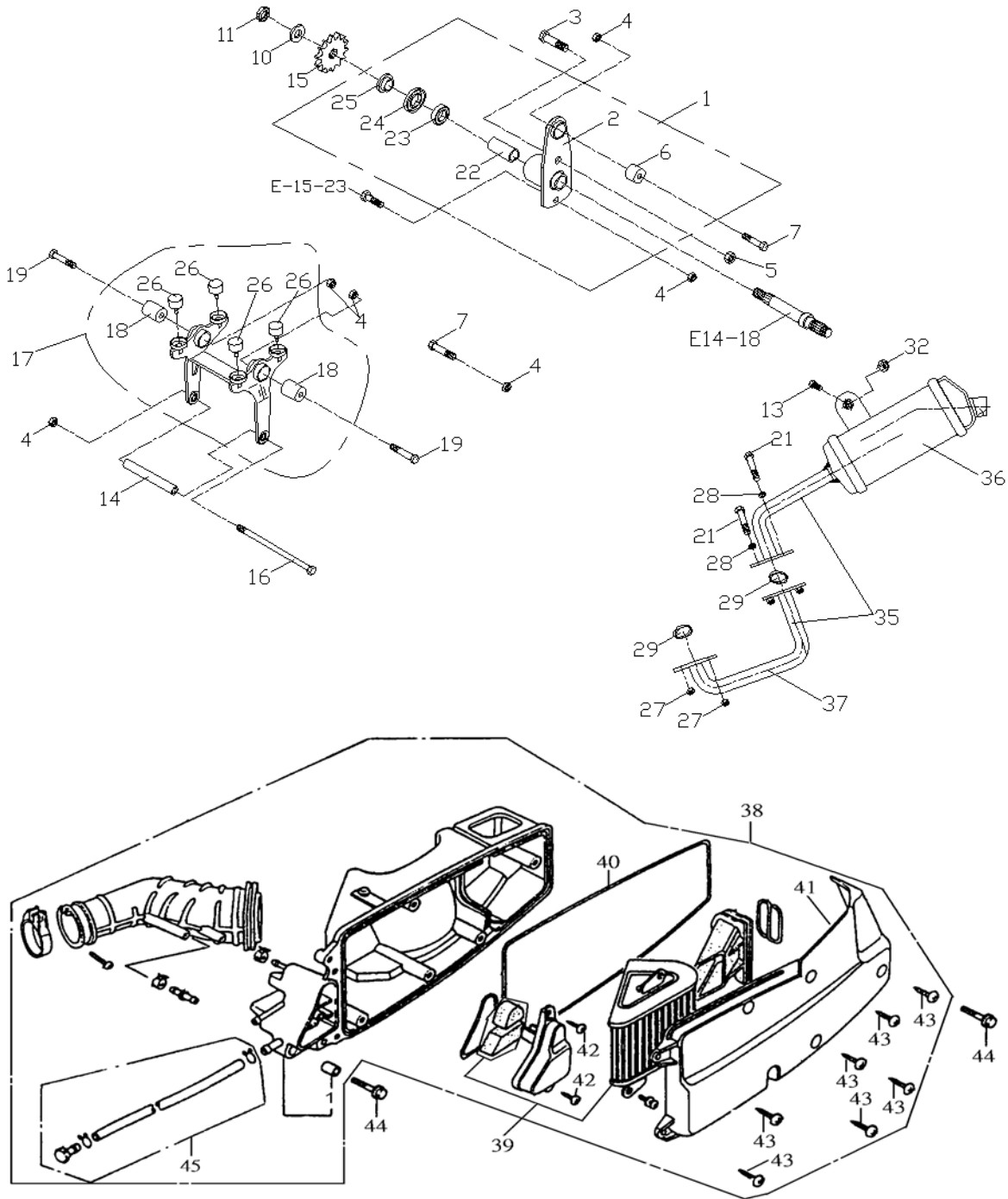
F-07 FENDER



ITEM NO.	PART NO.	DESCRIPTION	SIZE	Q'TY
F08-01	31104008010004	FENDER, FRONT(YELLOW)		1
F08-01	31104008010003	FENDER, FRONT (RED)		1
F08-02	50100608016001	BOLT	M8*1.25*16L	6
F08-03	31104008020001	FENDER COVER, LEFT		1
F08-04	31104008030001	FENDER COVER, RIGHT		1
F08-05	31104008040002	FENDER, REAR(YELLOW)		1
F08-05	31104008040003	FENDER, REAR (RED)		1
F08-07	50100706015003	SCREW	M6*1.0*15	2
F08-08	50103506100001	CLIP NUT	M6*1.0	2
F08-09	50102000600001	WASHER	ψ6*ψ13	2
F08-10	31104008060001	FOOTREST COVER, LEFT		1
F08-11	31104008070001	FOOTREST COVER, RIGHT		1
F08-12	50100704016001	SCREW	M4*16	16
F08-13	50102000400001	WASHER	ψ4*ψ12	12
F08-14	31106008290001	BREATH TUBE, GAS CAP	ψ5*ψ9*300L	1
F08-16	31104008090001	THERMAL INSULATOR		1
F08-17	50100506020004	BOLT	M6*1.0*20L	2
F08-18	31104008190002	TUBE	ψ4*ψ7*150L	1
F08-19	31104008110001	CAP,FUEL TANK		1
F08-20	31106008110001	FUEL COOK		1
F08-21	50100506010001	BOLT	M6*1.0*10L	2
F08-22	31104008180001	TUBE	ψ6*ψ10.5*200L	1
F08-23	31104008170001	TUBE W/FILTER		1
F08-24	31104008130001	SEAT		1
F08-26	31104008150001	TOOL		1
F08-28	59900310005002	WARNING STICKER(FRENCH)		1
F08-29	59900310003002	LOGO STICKER		1
F08-30	59900310003001	LOGO STICKER		1
F08-33	31104008130002	SEAT LOCK		1
F08-34	50101206100001	NUT	M6*1.0	2

F08-35	31104008080003	FUELTANK		1
F08-36	31104001140001	PLATE, FIX		1
F08-37	50100706016001	BOLT	M6*1.0*16L+ψ6*ψ16	1
F08-38	50101306000001	NUT	M6*1.0	1

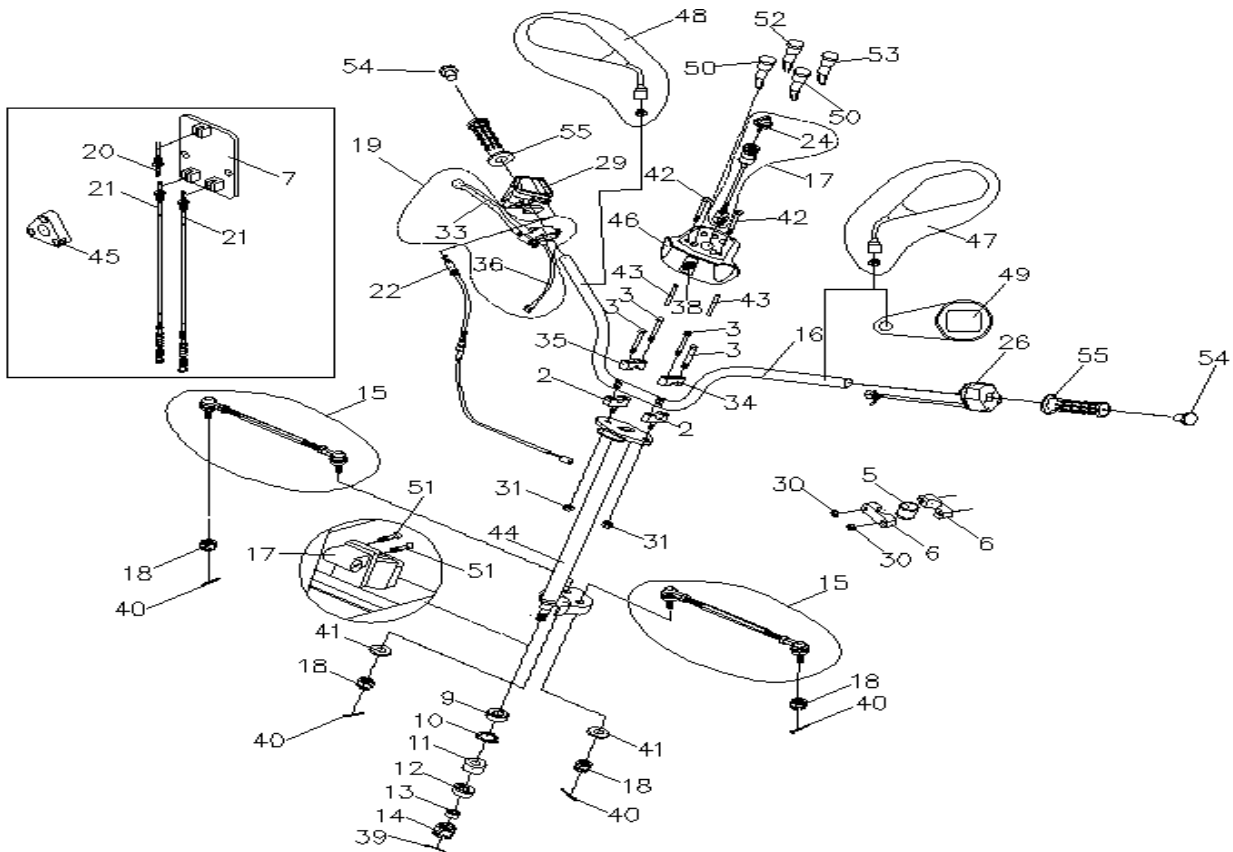
F-09 ENGINE HANGER, MUFFLER



ITEM NO.	PART NO.	DESCRIPTION	SIZE	Q'TY
F09-01	31104009010002	PLATE, REAR ENGINE HANGER,COMP		1
F09-02	31104009160001	PLATE, REAR ENGINE HANGER		1
F09-03	31104009140001	BOLT	M12*1.25	1
F09-04	50101210125001	NUT	M10*1.25(NYLON)	6
F09-05	50101512125001	NUT	M12*1.25(NYLON)	1
F09-06	31104009020001	BUSH	ψ10.2*ψ28.1*22	1
F09-07	50102710042003	BOLT	M10*1.25*42*28L	2
F09-10	50102001600002	WASHER	ψ16.5*ψ40*4t	1
F09-11	50101516105001	NUT	M16*1.5(U-NUT)	1
F09-13	50100510030001	BOLT	M10*1.25*30L	1
F09-14	31104009050001	COLLAR	ψ10.5*ψ16*124	1
F09-15	31104009030003	SPROCKET	19T(#428H)	1
F09-16	50102710187001	BOLT	M10*1.25*187L*17S	1

F09-17	31104009060002	ENGINE HANGER, FRONT, ASSY		1
F09-18	31104009070001	BUSH	ψ10.2*ψ28.1*29	2
F09-19	50102710054001	BOLT	M10*1.25*54*40L	2
F09-21	50102706025001	BOLT	M6*1.0*25L	2
F09-22	31104009090001	SPACER	ψ25*ψ20.1	1
F09-23	50300102000007	BEARING	ψ20*ψ37*9	1
F09-24	50200204700001	OIL SEAL	ψ25*ψ47*7	1
F09-25	31104009110001	SPACER		1
F09-26	31104009100001	RUBBER STOP		4
F09-27	50101206080002	NUT	M6*1.0	2
F09-28	50102000600010	WASHER	ψ6*10	2
F09-29	31104009150001	GASKET	ψ26*ψ33*3.5	2
F09-32	50101410125001	NUT	M10*1.25	1
F09-35	31104009180001	MUFFLER		1
F09-36	31104009190001	MUFFLER		1
F09-37	31104009270001	FRONT PIPE		1
F09-38	32204021240001	AIR CLEANER		1
F09-39	32204018090001	FILTER, AIR CLEANER		1
F09-40	32204018100001	SEAL AIR/C COVER		1
F09-41	32204018120001	COVER AIR/C		1
F09-42	50100704012003	BOLT, 4X12		2
F09-43	50100705020001	SCREW5*20		2
F09-44	50100606028002	BOLT, 6X28		2
F09-45	32204018130001	TUBE DRAIN ASSY		1
F09-46	32204011080001	TUBE		1
F09-47	31104009240001	CLIP, MUFFLER		1
F09-48	32204021250001	AIR INTAKE TUBE		1

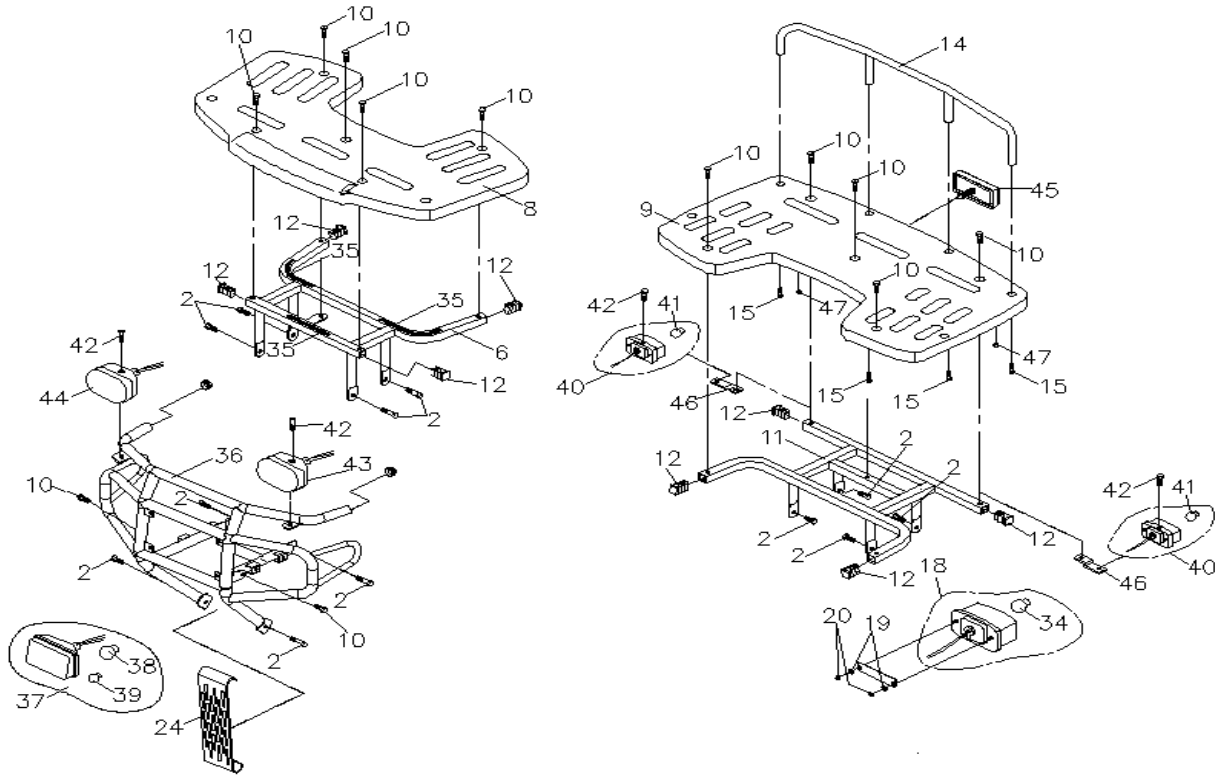
F-10 HANDLE BAR



ITEM NO.	PART NO.	DESCRIPTION	SIZE	Q'TY
F10-02	31104010220001	CLAMP, HANDLE BAR		2
F10-03	50100506025004	BOLT	M6*1.0*25L	4
F10-05	31104010030001	PU BUSH SLEEVE		1
F10-06	31104010040001	HOLDER, STEERING SHAFT		2
F10-07	31104010050001	HOLDER, BRAKE CABLE		1
F10-09	50200203200002	OIL SEAL	ψ15*ψ32*7	1
F10-10	50101603200001	C CLIP	ψ32	1
F10-11	50300101500010	BEARING	ψ15*ψ32*9	1
F10-12	50200203500001	OIL SEAL	ψ22*ψ35*7	1
F10-13	31104010070001	COLLAR	ψ15*ψ22*14.8	1
F10-14	50101514105001	NUT	M14*1.5(U-NUT)	1
F10-15	31104010080002	TIE-ROD ASSY		2
F10-16	31104010010002	HANDLE BAR		1
F10-17	31104010350001	MAIN SWITCH		1
F10-18	50102210125002	NUT	M10*1.25	4
F10-19	31106010170002	BRAKE LEVER ASSY		1
F10-20	31104010120001	BRAKE CABLE, UPPER		1
F10-21	31104010290001	BRAKE CABLE, LOWER		2
F10-22	31104010140001	CABLE, THROTTLE		1
F10-24	31106010260001	KEY		1
F10-26	31101010080001	WHITCH, HANDLE BAR		1
F10-28	31106010140001	GRIP	5EA-L	2
F10-29	31106010180001	THROTTLE LEVER ASSY		1
F10-30	50101408125002	FRANGE NUT	M8*1.25	2
F10-31	50101510125001	NUT	M10*1.25(NYLON)	2
F10-33	31106010310001	BRAKE LEVER, RIGHT		1
F10-34	31104010250001	UPPER HOLDER HANDBBAR LEFT		1
F10-35	31104010260001	UPPER HOLDER HANDBBAR RIGHT		1
F10-36	31104010110003	BRAKE LIGHT SWITCH,RIGHT		1

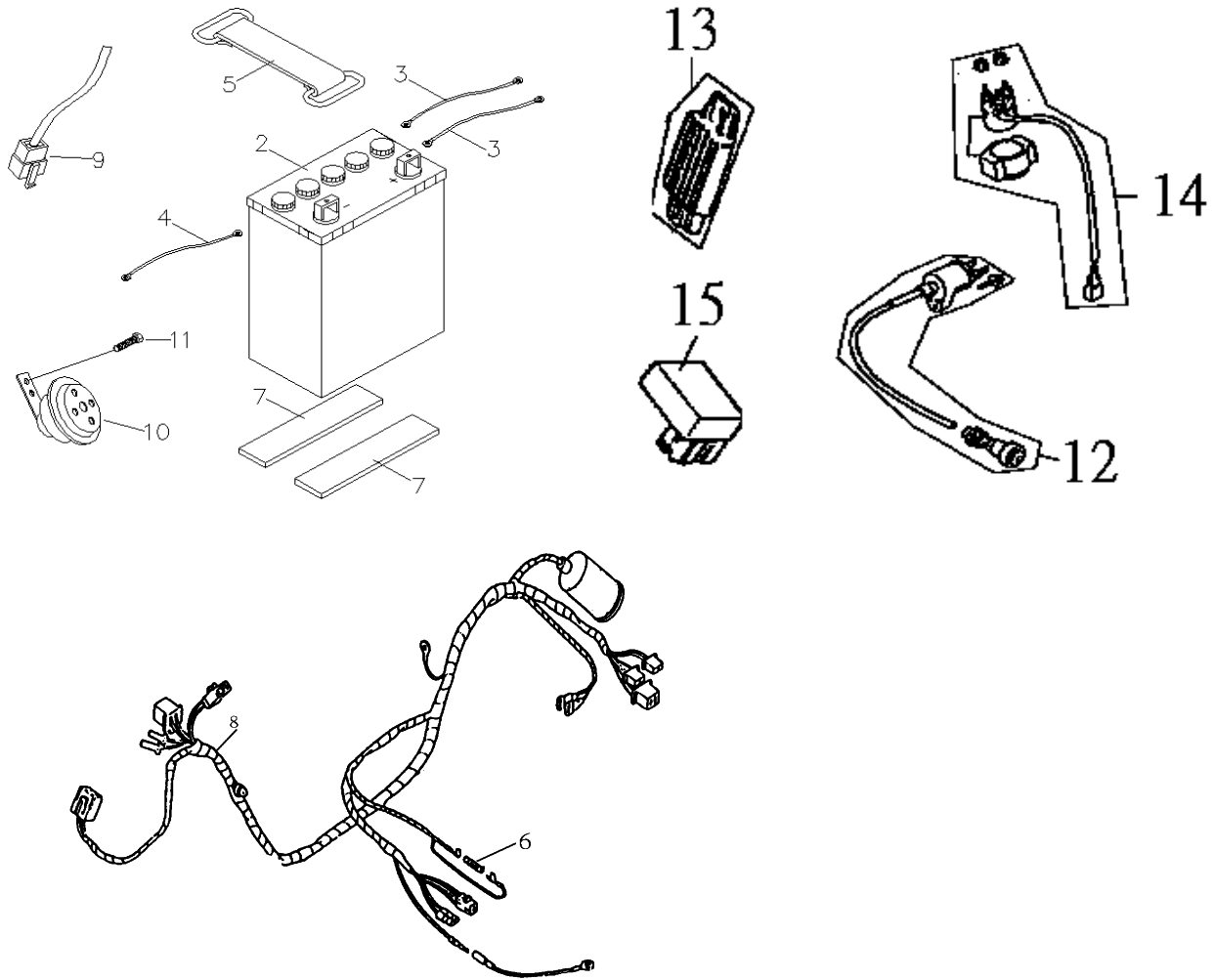
F10-38	59900310006001	LOGO STICKER		1
F10-39	50103303020001	PIN	ψ3*20	1
F10-40	50103302020001	PIN	ψ2*20	4
F10-41	50102001000007	WASHER	ψ10*ψ20*2t	2
F10-42	50100706045002	BOLT	M6*1.0*45L	2
F10-43	31104010300001	COLLAR	ψ6.5*ψ10*36.5L	2
F10-44	31104010020002	SHAFT, STEERING		1
F10-45	31104010060001	EQUALIZER		1
F10-46	31104010150002	COVER, HANDLE		1
F10-47	31101010340001	REAR VIEW MIRROR, LEFT	E13	1
F10-48	31101010350001	REAR VIEW MIRROR, RIGHT	E13	1
F10-49	31104010340001	SPEEDOMETER		1
F10-50	31104010360001	INDI CATE LIGHT		2
F10-51	50100206016001	BOLT	M6*1.0*16	2
F10-52	31104010370001	INDI CATE LIGHT, BRINKER		1
F10-53	31104010380001	INDI CATE LIGHT, HI BEAM		1
F10-54	31104010390001	GRIP END		2
F10-55	31106010140002	GRIP		2

F-11 RACK IRON BUMPER



ITEM NO.	PART NO.	DESCRIPTION	SIZE	Q'TY
F11-02	50102708014001	BOLT	M8*1.25*14L	12
F11-06	31104011030001	SUPPORT		1
F11-08	31104011040001	RIGG FRONT		1
F11-09	31104011050001	RIGG REAR		1
F11-10	50102708020002	BOLT	M8*1.25*20L	12
F11-11	31104011060001	SUPPORT		1
F11-12	31106011160001	PLUG		8
F11-14	31104011070002	RAIL		1
F11-15	50100506025002	BOLT	M6*1.0*25L	4
F11-18	31104011090001	TAIL LIGHT		1
F11-19	50102000600007	WASHER	φ6*φ13	2
F11-20	50101206100001	NUT	M6*1.0	2
F11-24	31106011110001	LOWER COVER, BUMPER		1
F11-34	31104011090004	BULB	12V/21/5W	1
F11-35	31106011130001	BUBBER	15*150*4t	3
F11-36	31104011010003	FRONT BUMPER		1
F11-37	31104011170001	HEAD LIGHT(E4 MARK)	MB/PL E4	1
F11-38	31104011170002	BULB	12V 35/35W	1
F11-39	31104011170003	BULB	12V5W W5W	1
F11-40	31104011180001	REAR TURN SIGNAL(E4 MARK)	92-503B R	2
F11-41	31104011180002	BULB	R10W 12V 10W 37R	4
F11-42	50100705010001	BOLT	M5*0.8*10	4
F11-43	31104011190001	FRONT-LEFT TURN SIGNAL E4		1
F11-44	31104011200001	FRONT-RIGHT TURN SIGNAL E4		1
F11-45	31104011210001	REFLECTER		1
F11-46	31104011220001	PLATE BRINKER		2
F11-47	50101206000001	NUT	M6*1.0	1
F11-48	50100705016005	NUT	M6x1.0*L16	2

F-12 MAIN WIRE



ITEM NO.	PART NO.	DESCRIPTION	SIZE	Q'TY
F12-02	31104012020001	BATTERY	12AV7AH	1
F12-03	31104012030001	WIRE GROUND		2
F12-05	31104012050001	RUBBER BAND, BATTERY		1
F12-06	31104012060001	FUSE		1
F12-07	31106011130001	RUBBER, BATTERY		2
F12-08	31104012070001	MAIN WIRE		1
F12-09	31104012080001	RELAY BRINKER		1
F12-10	31104012090001	HORN		1
F12-11	50102706016003	BOLT	M6*1.0*16L	1
F12-12	32204024010001	COIL COMP., (C.D.I.)IGN		1
F12-13	32204024020001	REG. RECT. COMP.		1
F12-14	32204024040001	SWITCH ASSY, STARTER MAG.		1
F12-15	32204020010001	UNIT ASSY, C.D.I.		1